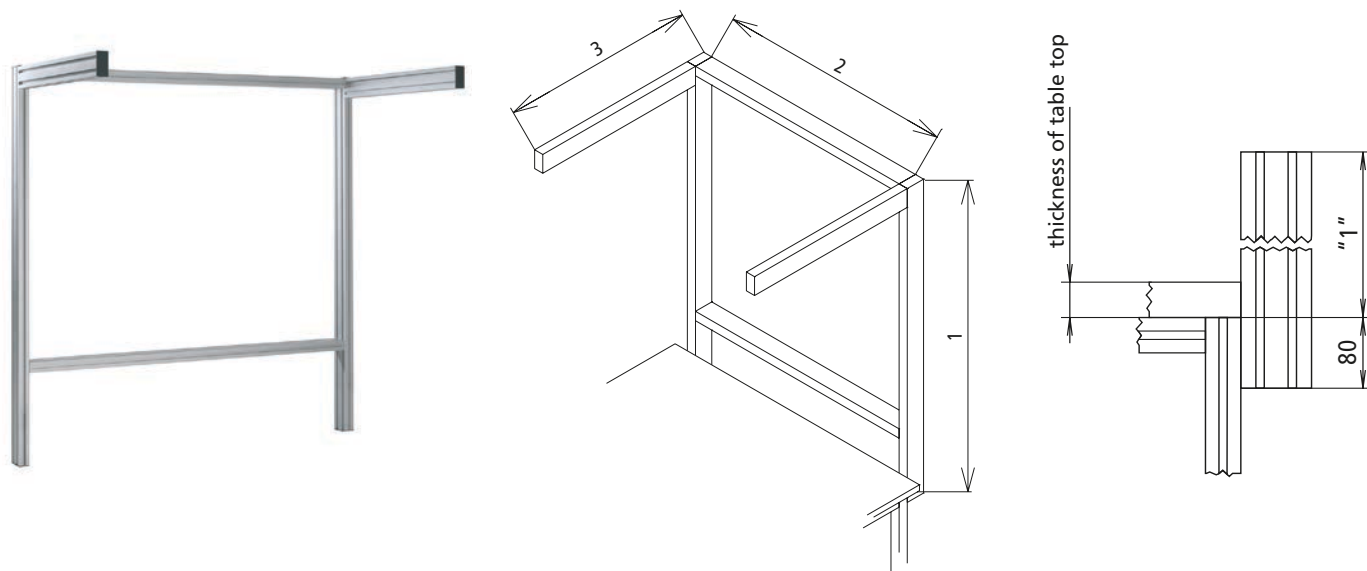
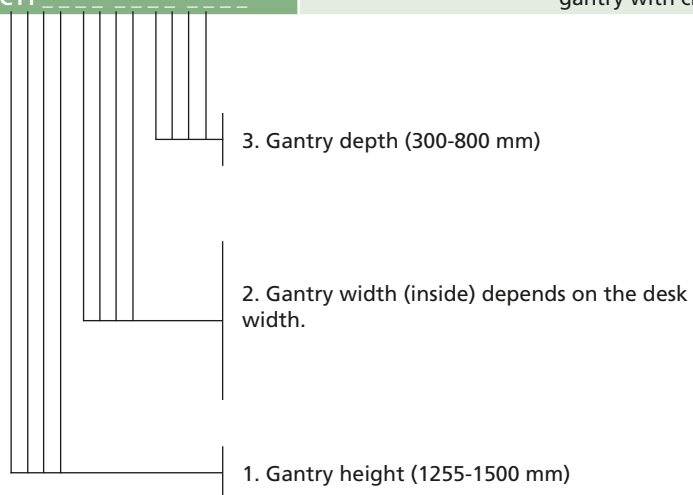


Gantry

The gantry is mounted on the rear side of the workstation and serves for supporting lamps, grab containers, accessories, tools, etc.



Code No.	Type
WAC10	gantry with open grooves (Profil F-40x80-L)
WAC11	gantry with closed grooves (Profil F-GG 40x80)



Code No.	Type
WAC042000157	mounting kit for static table
WAC042000158	mounting kit for electrical height adjustment - two-column system