

Material panel

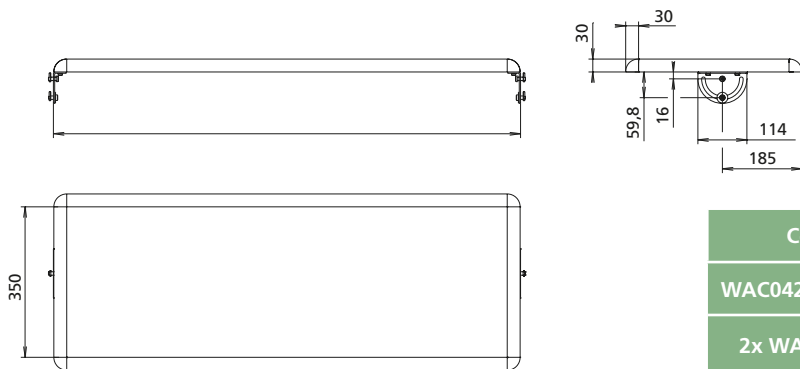
The material panel serves for holding the grab containers, tools or other technical aids. The panel can be mounted to the gantry at any height and can be swivelled, if necessary, in longitudinal direction.



Supported load: max. 40 kg

Swing range: $\pm 90^\circ$

Mounting kit, clamping lever (optional) for adjusting its inclination



Code No.	Type
WAC04200017	material panel
2x WAC042000144	mounting kit with screws
2x WAC042000145	clamping lever for mounting kit

Length (clear span)

Swivelling material rail

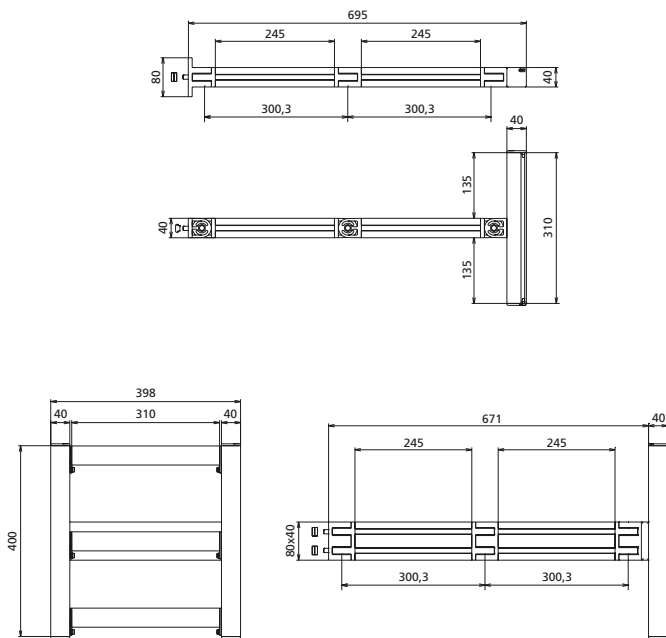
The swivelling material rails can be equipped with grab containers (See page 20) and if required, they can be pulled to the ergonomically best working position.

Supported load:

1 material rail max. 10 kg

3 material rails max. 20 kg

Swing range: per hinge 180°



1 material rail (static)

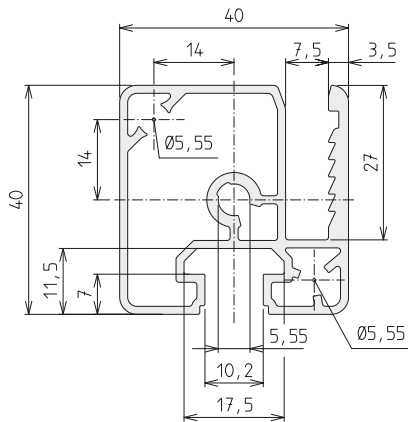


3 material rails (swivelling)

Code No.	Type
WAC042000056	1 material rail
WAC042000057	3 material rails

Mounting profile for grab containers

Mounting kit
swivelling ($\pm 30^\circ$)



The grab containers can be easily hinged into the profile groove and then they are positioned. If necessary, the mounting profile can also be ordered with mounting kit swivelling containers.

Material: Aluminium profile, natural anodised

Weight: 1095 g/m

Blank cut of rods for swivelling containers - mounting kit:

Clear span -8 mm

Code No.	Type
WAC5001	rod 2 m each
WAC5000	cut on request, max. 2 m
2x 4566701	mounting kit
2x WAC042000138	mounting kit, swivelling
2x WAC042000137	clamping lever for mounting kit, swivelling