

**Added visual and functional value**

**Profile general overview ..... p. 176**

**Technical data ..... p. 178**

**Visible profiles ..... p. 182**

**Frame profiles ..... p. 200**

**Special profiles ..... p. 212**

**Connection techniques ..... p. 219**

**Slot stones / screws and accessories ..... p. 253**

**Profile covers ..... p. 265**

**Panels/Accessories ..... p. 273**

**Feet/Castors/Accessories ..... p. 293**

**Fittings ..... p. 309**

**Conveying elements/  
Pneumatics ..... p. 331**

**Cable channel system ..... p. 337**



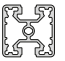












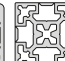
















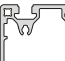
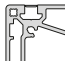
**M-BLOCAN<sup>®</sup> accessories ..... p. 342**

**Visible profile accessories ..... p. 360**










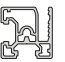











**Functional profiles**

# Functional profile overview






## Visible profiles Sizes

30												
	<b>F-G 30x30</b> p. 182	<b>F-GG 30x30</b> p. 182	<b>F-2G 30x30</b> p. 183	<b>F-3G 30x30</b> p. 183	<b>W 30-30</b> p. 184	<b>W 30-45</b> p. 184	<b>W 30-60</b> p. 184	<b>W 30-90</b> p. 185	<b>F-R 30</b> p. 185			
40												
	<b>F-G 40x40</b> p. 186	<b>F-GG 40x40</b> p. 186	<b>F-2G 40x40</b> p. 187	<b>F-3G 40x40</b> p. 187	<b>F-G 40x80</b> p. 188	<b>F-GG 40x80</b> p. 188	<b>G-40x40</b> p. 189	<b>G-40x80</b> p. 189	<b>W 40-30</b> p. 190	<b>W 40-45</b> p. 190	<b>W 40-60</b> p. 191	<b>W 40-90</b> p. 191
50												
	<b>F-G 50x50</b> p. 192	<b>F-GG 50x50</b> p. 192	<b>F-2G 50x50</b> p. 193	<b>F-3G 50x50</b> p. 193	<b>SP-50x50</b> p. 194							
60												
	<b>F-G 60x60</b> p. 196	<b>F-GG 60x60</b> p. 196	<b>F-2G 60x60</b> p. 197	<b>F-3G 60x60</b> p. 197								
80												
	<b>F-G 80x80</b> p. 198	<b>F-GG 80x80</b> p. 198	<b>F-2G 80x80</b> p. 199	<b>F-3G 80x120A</b> p. 199								

## Frame profiles Sizes



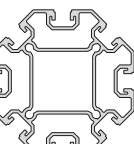
30											
	<b>KL 30x30-3</b> p. 200	<b>KLD 30x40</b> p. 201	<b>KLE-30x30</b> p. 202	<b>KLW 30x15</b> p. 202	<b>KLW 30x30</b> p. 203	<b>KLW 30x45</b> p. 203	<b>KLW 30x60</b> p. 204	<b>KLW 30x90</b> p. 204	<b>ESP 30</b> p. 205	<b>ESP 30/2</b> p. 205	<b>STP 30</b> p. 206
40											
	<b>KL 40x40-3</b> p. 206	<b>KLD 40x40</b> p. 207	<b>KLE 40x40</b> p. 207	<b>KLW 40x15</b> p. 208	<b>KLW 40x45</b> p. 209	<b>KLW 40x60</b> p. 209	<b>KLW 40x90</b> p. 210	<b>ESP 40</b> p. 210	<b>ESP 40/2</b> p. 211	<b>STP 40</b> p. 217	

## Special profiles Sizes

15					
	<b>15x40</b> p. 212	<b>15x60</b> p. 212	<b>15x80</b> p. 212	<b>15x120</b> p. 213	<b>15x160</b> p. 213

### 20 M-BLOCAN®

							
<b>F-20x20</b> p. 214	<b>F-20x40</b> p. 214	<b>F-R 20</b> p. 214	<b>F-G 20x20</b> p. 215	<b>F-GG 20x20</b> p. 215	<b>KL 20x20</b> p. 216	<b>KLD 20x20</b> p. 216	<b>KLE 20x20</b> p. 216

40			
	<b>2x40</b> p. 217	<b>3x40</b> p. 217	<b>8x40</b> p. 217



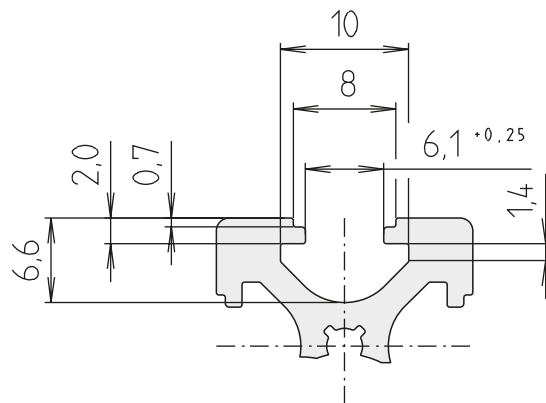
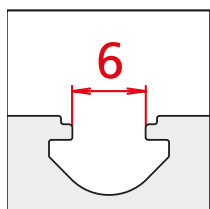
<b>Profiles</b>	Overview ..... p. 176
	Slot geometry ..... p. 178
	Load data ..... p. 179
	Visible profiles ..... p. 182
	Frame profiles..... p.200
	Special profiles ..... p. 212
<b>Connection techniques</b>	Right-angle connections ..... p. 219 - 238
	Cross connections ..... p. 240 - 243
	Angle connections..... p. 244 - 250
<b>Accessories</b>	Slot stones, screws ..... p. 253 - 263
	Profile covers ..... p. 265 - 270
	Panels ..... p. 273 - 290
	Feet, castors ..... p. 293 - 306
	Fittings ..... p. 309 - 319
	Conveying elements ..... p. 331 - 334
	Pneumatics ..... p. 335
	Cabel channel system ..... p. 336 - 341
<b>M-BLOCAN® (size 20 profiles)</b>	Flange bracket connection ..... p. 344
	Flange bracket adapter ..... p. 345
	Corner joint R/GG ..... p. 346
	Profile angle bracket..... p. 350
	Angle brackets..... p. 351
	Mitre joint -transversal- ..... p. 352
	Slot stone -B-/PLM ..... p. 353
	Screws ..... p. 353
	Profile joint..... p. 354
	Handle..... p. 354

## Functional profiles

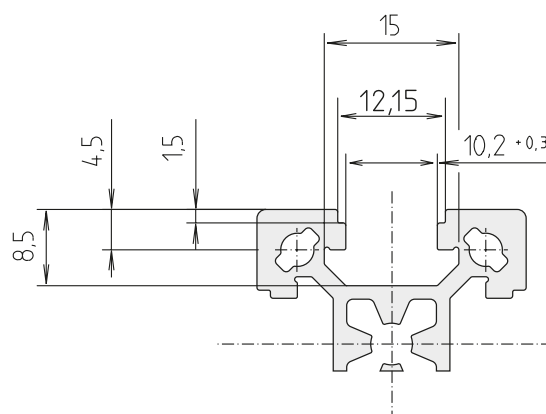
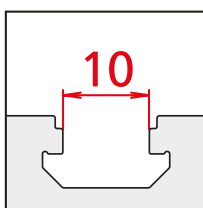
# Technical data functional profiles

## Slot geometry

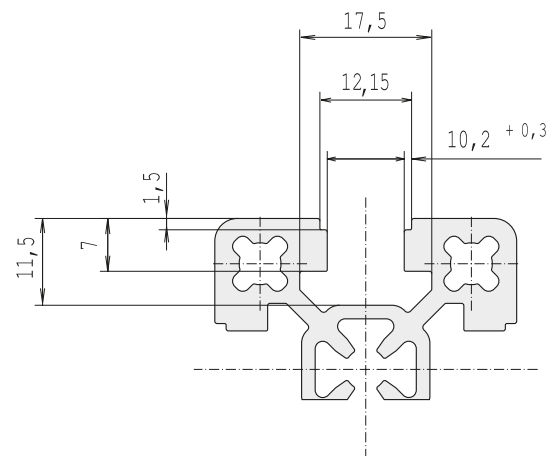
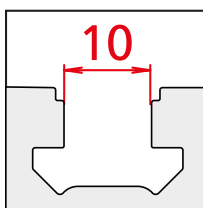
20 slot geometry  
For use with all size 20 profiles



30 slot geometry  
For all profiles up to size 30



40 slot geometry  
This geometry is found with all profiles as of size 40



## Load data

Moment of inertia: I [cm<sup>4</sup>]

Moment of resistance: w [cm<sup>3</sup>]

Profile	Area	Ix [cm <sup>4</sup> ]	Iy [cm <sup>4</sup> ]	Wx [cm <sup>3</sup> ]	Wy [cm <sup>3</sup> ]	Weight	Page
<b>Visible profiles</b>							
F-G 30x30	318	3.2	3.2	2.1	2.1	858	182
F-GG 30x30	317	3.2	3.2	2.1	2.1	858	182
F-2G 30x30	335	3.2	3.6	2.2	2.4	905	183
F-3G 30x30	335	3.5	3.6	2.2	2.4	932	183
F-R 30	271	2.1	2.1	1.2	1.2	730	185
F-G 40x40	636	9.7	9.8	4.8	4.9	1718	186
F-GG 40x40	611	10.1	10.1	4.8	4.8	1651	186
F-2G 40x40	543	9.3	9.4	4.6	4.7	1466	187
F-3G 40x40	539	9.7	9.8	4.8	4.9	1455	187
F-G 40x80	1220	20.9	82.3	10.4	20.6	3295	188
F-GG 40x80	1323	22.0	87.9	10.7	22.0	3565	188
G-40x40	696	10.5	10.5	5.2	5.2	1877	189
G-40x80	1145	18.7	78.5	9.3	19.6	3106	189
W 40-30	619	10.0	10.0	3.7	4.2	1674	190
W 40-45	620	9.7	9.8	3.4	4.2	1675	190
W 40-60	671	11.2	12.8	4.2	4.6	1812	191
W 40-90	797	22.0	22.0	7.4	7.4	2153	191
F-G 50x50	832	21.6	22.2	8.6	8.9	2247	192
F-GG 50x50	815	21.5	22.1	8.4	8.7	2200	192
F-2G 50x50	779	20.6	21.8	8.3	8.7	2103	193
F-3G 50x50	791	20.7	22.6	9.0	9.1	2137	193
SP-50x50	753	20.8	20.7	8.2	8.3	2033	194
F-G 60x60	1020	37.9	39.5	12.6	12.7	2757	196
F-GG 60x60	1001	38.1	39.0	12.5	12.8	2701	196
F-2G 60x60	956	36.2	39.1	12.1	13.0	2585	197
F-3G 60x60	981	36.5	41.2	11.9	13.7	2649	197
F-G 80x80	1710	135.5	139.3	34.8	33.0	4557	198
F-GG 80x80	1686			34.1	34.1	4497	198
F-2G 80x80	1656	133.4	140.1	33.3	35.0	4471	199
F-3G 80x120A	2896	213.3	467.8	52.8	77.9	7818	199

# Technical data functional profiles

## Load data

Moment of inertia: I [cm<sup>4</sup>]

Moment of resistance: w [cm<sup>3</sup>]

Profile	Area	Ix [cm <sup>4</sup> ]	Iy [cm <sup>4</sup> ]	Wx [cm <sup>3</sup> ]	Wy [cm <sup>3</sup> ]	Weight	Page
<b>Frame profiles</b>							
KL 30x30-3	293	2.3	2.7	1.5	1.8	917	200
KLD 30x40	436	5,5	3,8	2,7	2.5	1426	199
KLE 30x30	348	3.0	3.0	2.0	2.0	1179	202
KLW 30-15	405	3.3	2.5	1.4	1.9	853	202
KLW 30-30	641	9.7	7.4	3.1	4.4	852	203
KLW 30-45	405	3.3	2.4	1.2	1.8	845	203
KLW 30-60	357	3.3	3.5	1.7	1.5	966	204
KLW 30-90	640	9.7	7.2	2.7	4.1	1051	204
ESP 30x30	275	2.3	2.8	1.4	1.8	742	205
ESP 40x40/2	457	6.3	7.7	3.0	3.6	1234	211
STP 30	536	5.2	22.8	6.1	3.7	1448	206
KL 40x40-3	508	7.0	8.3	3.5	4.1	1596	206
KLD 40x40	612	10.0	8.3	4.1	5.5	1975	207
KLE 40x40	590	9.3	9.3	4.6	4.6	1914	207
KLW 40-15	402	3.1	2.4	1.1	1.7	1408	208
KLW 40-45	478	5.3	5.3	2.4	2.4	1764	209
KLW 40-60	572	9.6	10.7	3.8	3.3	1545	209
KLW 40-90	774	17.3	17.3	5.8	5.8	1767	210
ESP 40x40	405	6.1	7.3	2.7	3.5	1095	210
ESP 40x40/2	457	6.3	7.7	3.0	3.6	1234	211
STP 40	815	12.5	46.5	9.7	6.1	2199	211

## Load data

Moment of inertia: I [cm<sup>4</sup>]

Moment of resistance: w [cm<sup>3</sup>]

Profile	Area	I <sub>x</sub> [cm <sup>4</sup> ]	I <sub>y</sub> [cm <sup>4</sup> ]	W <sub>x</sub> [cm <sup>3</sup> ]	W <sub>y</sub> [cm <sup>3</sup> ]	Weight	Page
<b>Special profiles</b>							
15x40	421	0.8	6.6	1.3	3.3	1137	212
15x60	619	1.2	21.0	1.9	7.0	1670	212
15x80	823	1.7	47.8	2.5	11.9	2220	212
15x120	1213	2.4	154.9	3.6	25.8	3270	213
15x160	1602	3.1	359.0	4.8	44.9	4320	213
F-20x20	198	0.8	0.8	0.8	0.8	533	214
F-20x40	313	1.3	5.4	1.3	2.7	846	214
F-R 20	155	0.5	0.5	0.6	0.5	416	214
F-G 20	182	0.7	0.8	0.8	0.7	491	215
F-GG 20	167	0.7	0.7	0.7	0.7	450	215
KL-20	183	0.7	0.7	0.8	0.8	493	216
KLD-20	186	0.7	0.7	0.7	0.8	500	216
KLE-20	171	0.7	0.7	0.6	0.7	462	216
2x40	838	32.8	14.2	7.9	11.3	2262	217
3x40	1019	68.2	14.8	8.8	14.1	2751	217
8x40	1700	133.4	133.4	27.6	27.6	4590	217

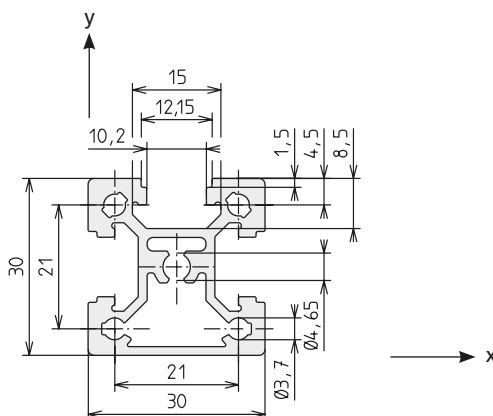
## Functional profiles

# Visible profiles / size 30

### Order instruction:



- Purchase only in lot sizes and a multiple of that see product table below

### F-G 30x30

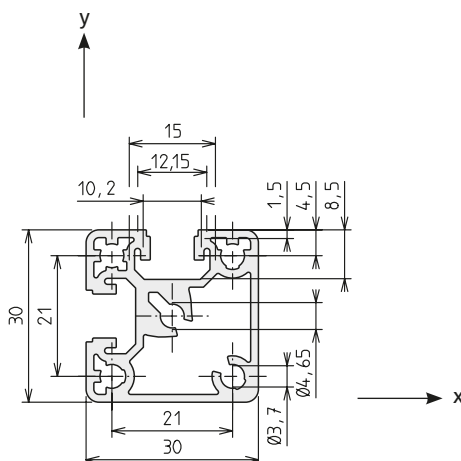


Code No. Profile F-G 30x30			Anodised
4535000	Cut to size	max. 6000 mm	Clear
4535001	Bar	6000 mm	Clear

Area	318	mm <sup>2</sup>
$I_x$	3.2	cm <sup>4</sup>
$I_y$	3.2	cm <sup>4</sup>
$W_x$	2.1	cm <sup>3</sup>
$W_y$	2.1	cm <sup>3</sup>
Weight	858	g/m


Connection	Slot geometry	Flange bracket	lot sizes	Code No.
 Long	30	30	10, 20, 30... pcs	4306709
	40	30	10, 20, 30... pcs	4306710
 Short	30	30 (K)	10, 20, 30... pcs	4106702
	40	30 (K)	10, 20, 30... pcs	4106703

### F-GG 30x30

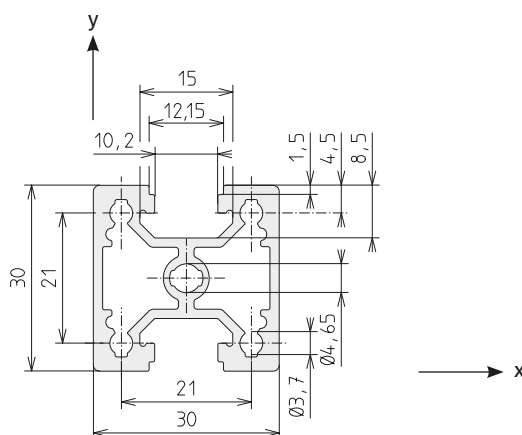


Code No. Profile F-GG 30x30			Anodised
4555000	Cut to size	max. 6000 mm	Clear
4555001	Bar	6000 mm	Clear

Area	317	mm <sup>2</sup>
$I_x$	3.2	cm <sup>4</sup>
$I_y$	3.2	cm <sup>4</sup>
$W_x$	2.1	cm <sup>3</sup>
$W_y$	2.1	cm <sup>3</sup>
Weight	858	g/m

Connection	Slot geometry	Flange bracket	lot sizes	Code No.
 Short	30	30 (K)	10, 20, 30... pcs	4106702
	40	30 (K)	10, 20, 30... pcs	4106703

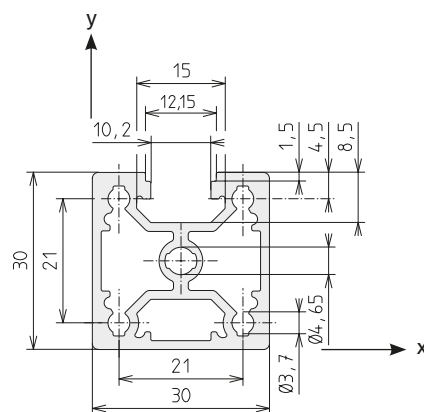


**F-2G 30x30**


Code No. Profile F-2G 30x30			Anodised
4B45000	Cut to size	max. 6000 mm	Clear
4B45001	Bar	6000 mm	Clear

Area	335.3	mm <sup>2</sup>
I <sub>x</sub>	3.2	cm <sup>4</sup>
I <sub>y</sub>	3.6	cm <sup>4</sup>
W <sub>x</sub>	2.2	cm <sup>3</sup>
W <sub>y</sub>	2.4	cm <sup>3</sup>
Weight	905	g/m

Connec-tion	Slot geometry	Flange bracket	lot sizes	Code No.
Long	30	30	10, 20, 30... pcs	4306709
	40	30	10, 20, 30... pcs	4306710

**F-3G 30x30**


Code No. Profile F-3G 30x30			Anodised
4B55000	Cut to size	max. 6000 mm	Clear
4B55001	Bar	6000 mm	Clear

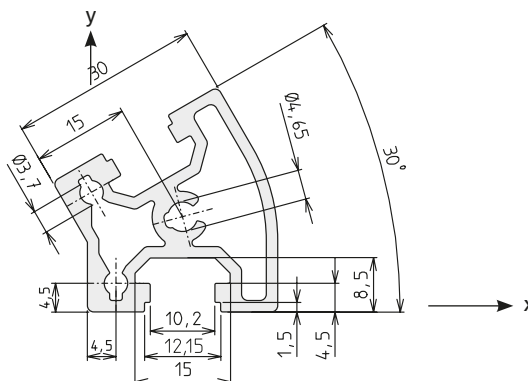
Area	335	mm <sup>2</sup>
I <sub>x</sub>	3.5	cm <sup>4</sup>
I <sub>y</sub>	3.6	cm <sup>4</sup>
W <sub>x</sub>	2.2	cm <sup>3</sup>
W <sub>y</sub>	2.4	cm <sup>3</sup>
Weight	932	g/m

Connection	Slot geometry	Flange bracket	lot sizes	Code No.
Short	30	30 (K)	10, 20, 30... pcs	4106702
	40	30 (K)	10, 20, 30... pcs	4106703

## Functional profiles

# Visible profiles / size 30

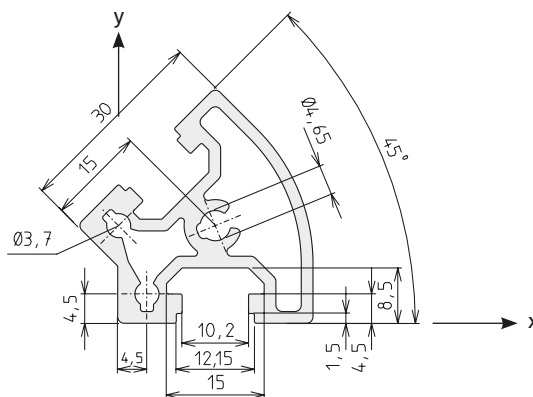
### W 30-30



Area	342	mm <sup>2</sup>
I <sub>x</sub>	3.0	cm <sup>4</sup>
I <sub>y</sub>	3.4	cm <sup>4</sup>
W <sub>x</sub>	1.5	cm <sup>3</sup>
W <sub>y</sub>	1.8	cm <sup>3</sup>
Weight	924	g/m

Code No. Angle profile W 30-30			Anodised
4725000	Cut to size	max. 6000 mm	Clear
4725001	Bar	6000 mm	Clear
Code No. Corner joint		Type	
4412406		KLW 30-30	

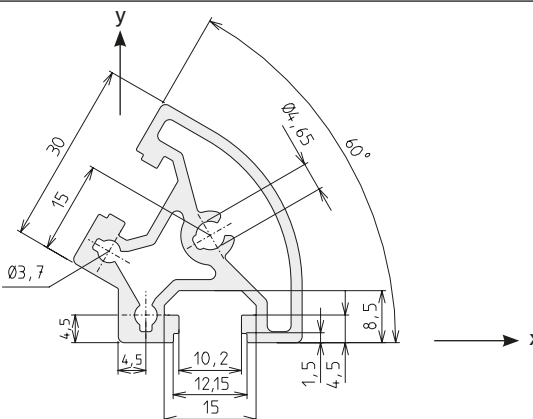
### W 30-45



Area	340	mm <sup>2</sup>
I <sub>x</sub>	3.0	cm <sup>4</sup>
I <sub>y</sub>	3.2	cm <sup>4</sup>
W <sub>x</sub>	1.4	cm <sup>3</sup>
W <sub>y</sub>	1.7	cm <sup>3</sup>
Weight	919	g/m

Code No. Profile W 30-45			Anodised
4735000	Cut to size	max. 6000 mm	Clear
4735001	Bar	6000 mm	Clear
Code No. Corner joint		Type	
4422406		KLW 30-45	

### W 30-60

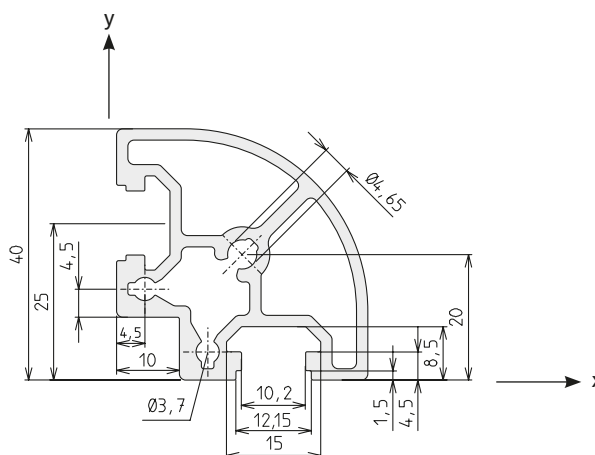


Area	375	mm <sup>2</sup>
I <sub>x</sub>	3.4	cm <sup>4</sup>
I <sub>y</sub>	4.3	cm <sup>4</sup>
W <sub>x</sub>	1.8	cm <sup>3</sup>
W <sub>y</sub>	1.9	cm <sup>3</sup>
Weight	1014	g/m

Code No. Angle profile W 30-60			Anodised
4745000	Cut to size	max. 6000 mm	Clear
4745001	Bar	6000 mm	Clear
Code No. Corner joint		Type	
4622406		KLW 30-60	



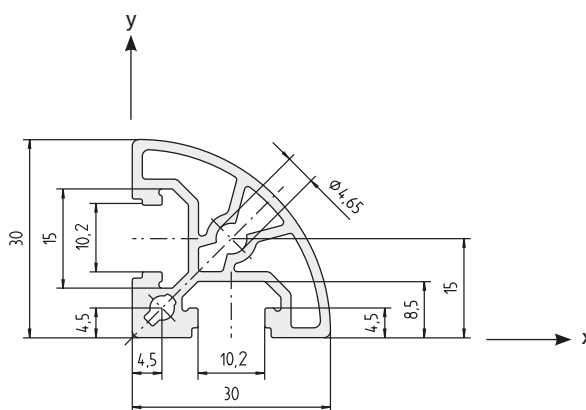
### W 30-90



Area	435	mm <sup>2</sup>
I <sub>x</sub>	6.2	cm <sup>4</sup>
I <sub>y</sub>	6.2	cm <sup>4</sup>
W <sub>x</sub>	2.9	cm <sup>3</sup>
W <sub>y</sub>	2.9	cm <sup>3</sup>
Weight	1173	g/m

Code No. Angle profile W 30-90			Anodised
4755000	Cut to size	max. 6000 mm	Clear
4755001	Bar	6000 mm	Clear
Code No. Corner joint		Type	
4432406	KLW 30-90		

### F-R 30



Area	271	mm <sup>2</sup>
I <sub>x</sub>	2.1	cm <sup>4</sup>
I <sub>y</sub>	2.1	cm <sup>4</sup>
W <sub>x</sub>	1.2	cm <sup>3</sup>
W <sub>y</sub>	1.2	cm <sup>3</sup>
Weight	730	g/m

Code No. Profile F-R 30			Anodised
4105000	Cut to size	max. 6000 mm	Clear
4105001	Bar	6000 mm	Clear

Connection	Flange bracket	Slot geometry	lot sizes	Code No.
long. + transverse	30 (K)	30	10, 20, 30... pcs	4106702

Functional profiles

# Visible profiles / size 40

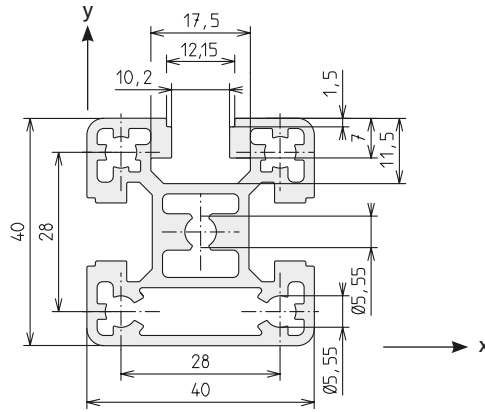
**Order instruction:**

- Purchase only in lot sizes and a multiple of that see product table below

## F-G 40x40



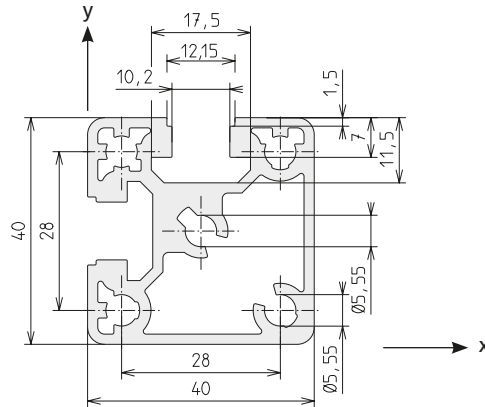
Area	636	mm <sup>2</sup>
I <sub>x</sub>	9.7	cm <sup>4</sup>
I <sub>y</sub>	9.8	cm <sup>4</sup>
W <sub>x</sub>	4.8	cm <sup>3</sup>
W <sub>y</sub>	4.9	cm <sup>3</sup>
Weight	1718	g/m



Code No. Profile F-G 40x40			Anodised
4545000	Cut to size	max. 6000 mm	Clear
4545001	Bar	6000 mm	Clear

Connection	Slot geometry	Flange bracket	lot sizes	Code No.
	30	40	10, 20, 30... pcs	4816703
	40			4816702
	30	40 (K)	10, 20, 30... pcs	4566700
	40			4566701
	40	40 (N)	-	4546700

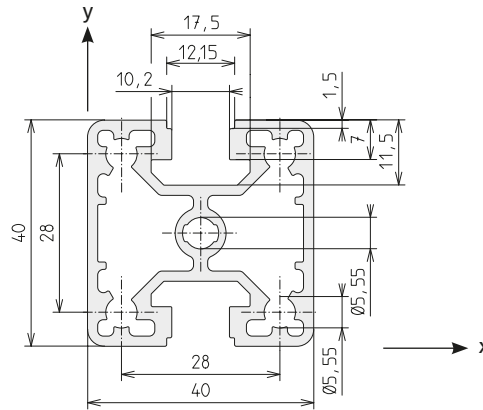
## F-GG 40x40



Code No. Profile F-GG 40x40			Anodised
4565000	Cut to size	max. 6000 mm	Clear
4565001	Bar	6000 mm	Clear

Connection	Slot geometry	Flange bracket	lot sizes	Code No.
	30	40 (K)	10, 20, 30... pcs	4566700
	40			4566701
	40	40 (N)	-	4546700

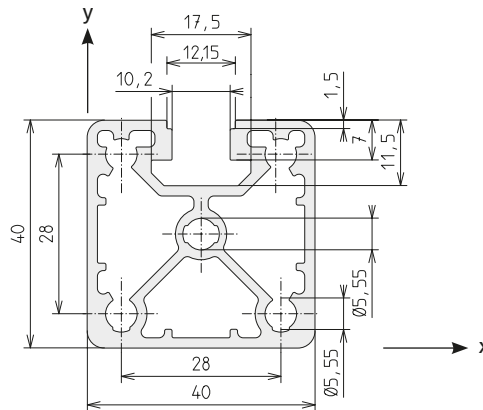
Area	611	mm <sup>2</sup>
I <sub>x</sub>	10.1	cm <sup>4</sup>
I <sub>y</sub>	10.1	cm <sup>4</sup>
W <sub>x</sub>	4.8	cm <sup>3</sup>
W <sub>y</sub>	4.8	cm <sup>3</sup>
Weight	1651	g/m

**F-2G 40x40**


Area	543	mm <sup>2</sup>
I <sub>x</sub>	9.3	cm <sup>4</sup>
I <sub>y</sub>	9.4	cm <sup>4</sup>
W <sub>x</sub>	4.6	cm <sup>3</sup>
W <sub>y</sub>	4.7	cm <sup>3</sup>
Weight	1466	g/m

Code No. Profile F-2G 40x40			Anodised
4B25000	Cut to size	max. 6000 mm	Clear
4B25001	Bar	6000 mm	Clear

Connection	Slot geometry	Flange bracket	lot sizes	Code No.
Long	30	40	10, 20, 30... pcs	4816703
	40			4816702

**F-3G 40x40**


Area	539	mm <sup>2</sup>
I <sub>x</sub>	9.7	cm <sup>4</sup>
I <sub>y</sub>	9.8	cm <sup>4</sup>
W <sub>x</sub>	4.8	cm <sup>3</sup>
W <sub>y</sub>	4.9	cm <sup>3</sup>
Weight	1455	g/m

Code No. Profile F-3G 40x40			Anodised
4B35000	Cut to size	max. 6000 mm	Clear
4B35001	Bar	6000 mm	Clear

Connection	Slot geometry	Flange bracket	lot sizes	Code No.
Short	30	40 (K)	10, 20, 30... pcs	4566700
	40			4566701
Flange slot stone -N-	40	40 (N)	-	4546700

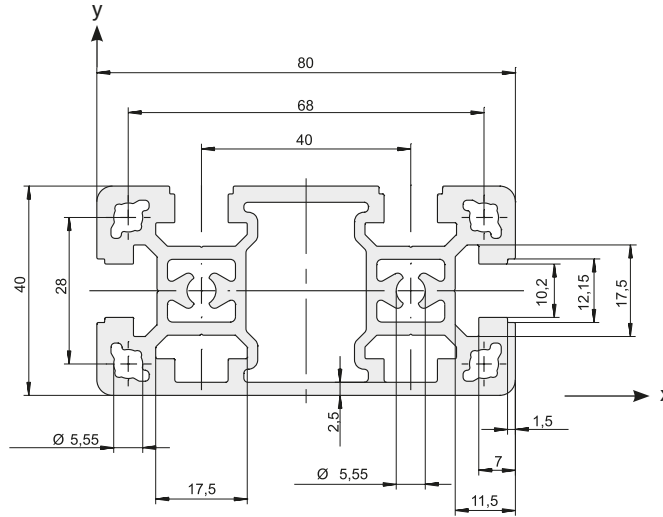
Functional profiles

# Visible profiles / size 40

**Order instruction:**

- Purchase only in lot sizes and a multiple of that see product table below

## F-G 40x80

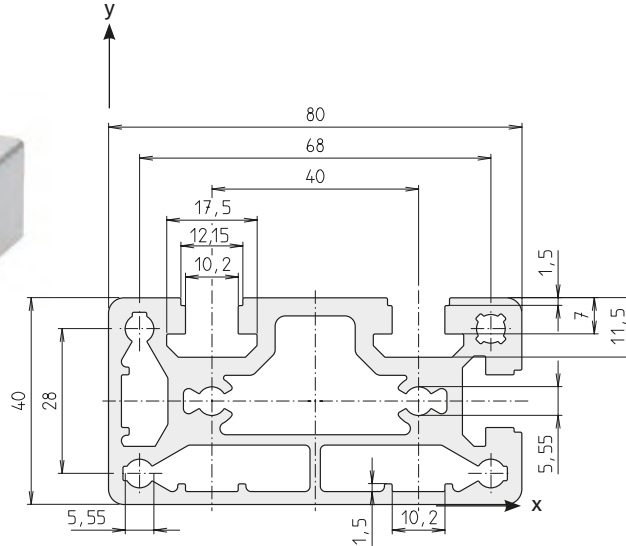
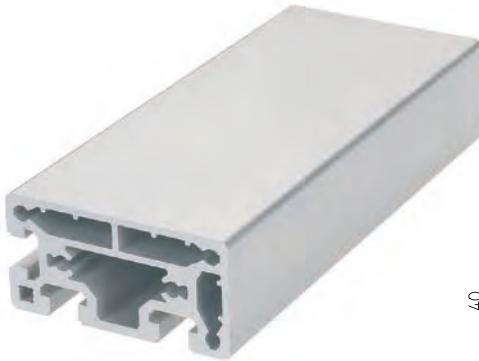


Area	1220	mm <sup>2</sup>
I <sub>x</sub>	20.9	cm <sup>4</sup>
I <sub>y</sub>	82.3	cm <sup>4</sup>
W <sub>x</sub>	10.4	cm <sup>3</sup>
W <sub>y</sub>	20.6	cm <sup>3</sup>
Weight	3295	g/m

Code No. Profile F-G 40x80			Anodised
4B85000	Cut to size	max. 6000 mm	Clear
4B85001	Bar	6000 mm	Clear

Connection	Slot geometry	Flange bracket	lot sizes	Code No.	
	long.	80	10, 20, 30... pcs	4316706	
				4246702	
	Flange slot stone -N-	40	40 (N)	-	4546700

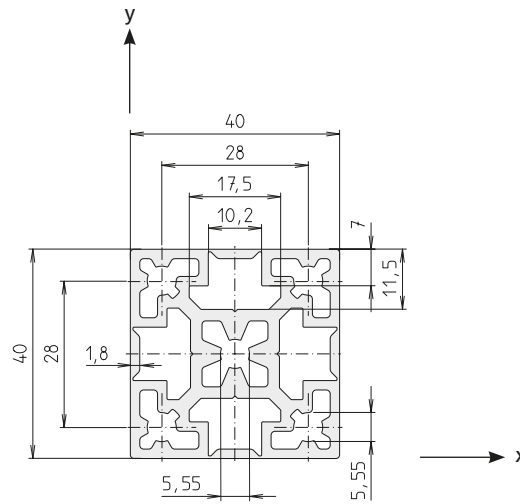
## F-GG 40x80



Area	1323	mm <sup>2</sup>
I <sub>x</sub>	22.0	cm <sup>4</sup>
I <sub>y</sub>	87.9	cm <sup>4</sup>
W <sub>x</sub>	10.7	cm <sup>3</sup>
W <sub>y</sub>	22.0	cm <sup>3</sup>
Weight	3565	g/m

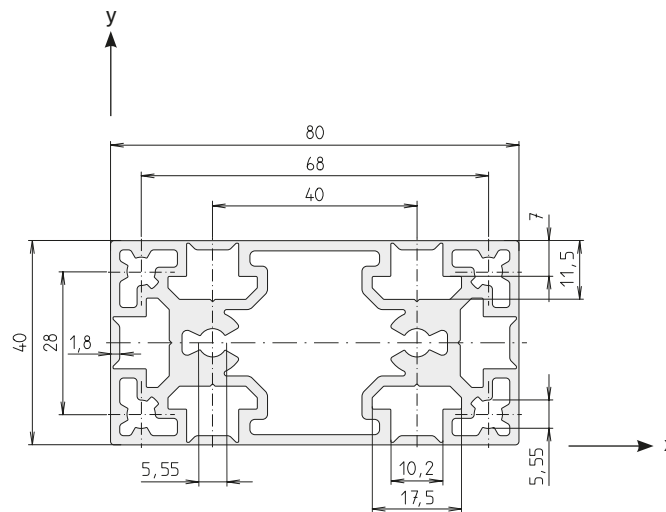
Code No. Profile F-GG 40x80			Anodised
4B15000	Cut to size	max. 6000 mm	Clear
4B15001	Bar	6000 mm	Clear

Connection	Slot geometry	Flange bracket	lot sizes	Code No.
	Extra long	80 (EL)	-	4586702
	Flange slot stone -N-	80 (N)	-	4586703
	Flange slot stone -N-	40 (N)	-	4546700

**4G-40x40**


Area	696	mm <sup>2</sup>
$I_x$	10.5	cm <sup>4</sup>
$I_y$	10.5	cm <sup>4</sup>
$W_x$	5.2	cm <sup>3</sup>
$W_y$	5.2	cm <sup>3</sup>
Weight	1877	g/m

Code No. Profile 4G-40x40			Anodised
4B65000	Cut to size	max. 6000 mm	Clear
4B65001	Bar	6000 mm	Clear

**4G-40x80**


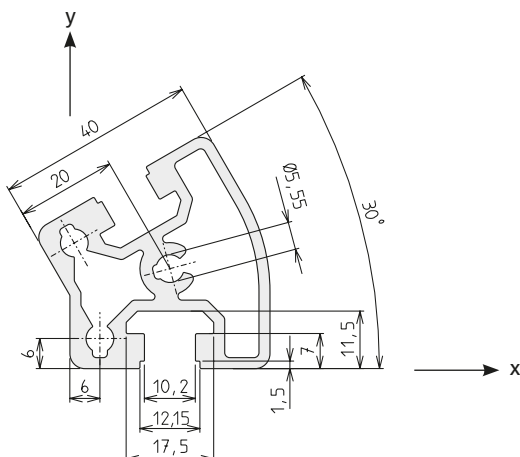
Area	1145	mm <sup>2</sup>
$I_x$	18.7	cm <sup>4</sup>
$I_y$	78.5	cm <sup>4</sup>
$W_x$	9.3	cm <sup>3</sup>
$W_y$	19.6	cm <sup>3</sup>
Weight	3106	g/m

Code No. Profile 4G-40x80			Anodised
4B75000	Cut to size	max. 6000 mm	Clear
4B75001	Bar	6000 mm	Clear

## Functional profiles

# Visible profiles / size 40

### W 40-30

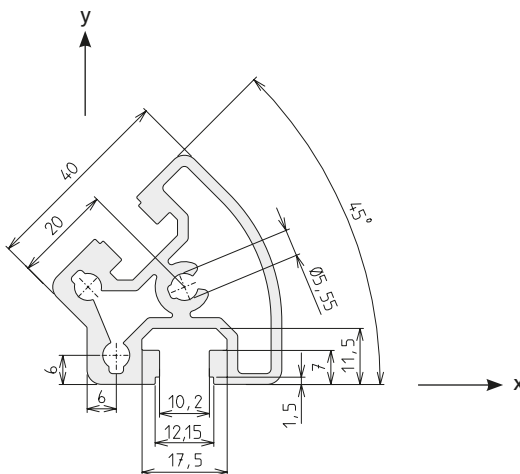


Area	619	mm <sup>2</sup>
$I_x$	10.0	cm <sup>4</sup>
$I_y$	10.0	cm <sup>4</sup>
$W_x$	3.7	cm <sup>3</sup>
$W_y$	4.2	cm <sup>3</sup>
Weight	1674	g/m

Code No. Angle profile W 40-30			Anodised
4765000	Cut to size	max. 6000 mm	Clear
4765001	Bar	6000 mm	Clear

Code No. Corner joint	Type
4462406	KLW 40-30

### W 40-45



Area	620	mm <sup>2</sup>
$I_x$	9.7	cm <sup>4</sup>
$I_y$	9.8	cm <sup>4</sup>
$W_x$	3.4	cm <sup>3</sup>
$W_y$	4.2	cm <sup>3</sup>
Weight	1675	g/m

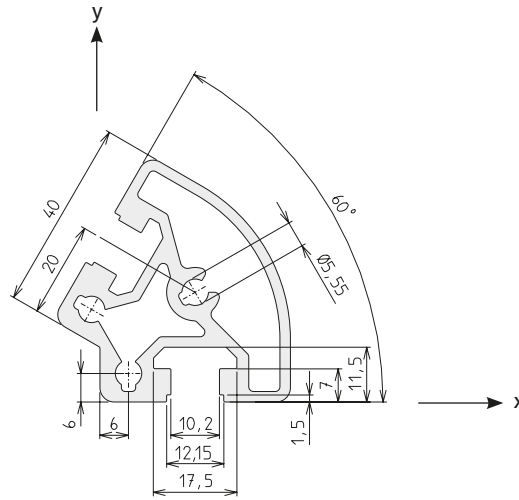
Code No. Angle profile W 40-45			Anodised
4775000	Cut to size	max. 6000 mm	Clear
4775001	Bar	6000 mm	Clear

Code No. Corner joint	Type
4472406	KLW 40-45





W 40-60

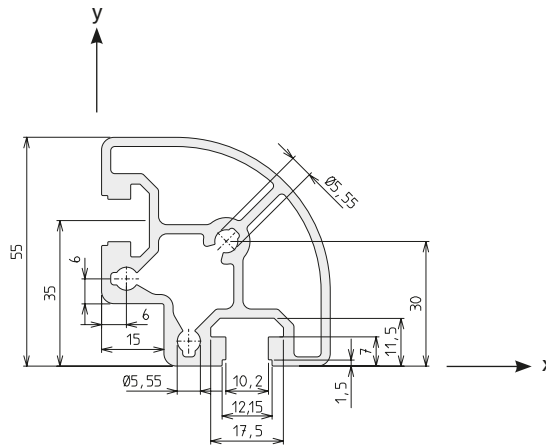


Area	671	mm <sup>2</sup>
I <sub>x</sub>	11.2	cm <sup>4</sup>
I <sub>y</sub>	12.8	cm <sup>4</sup>
W <sub>x</sub>	4.2	cm <sup>3</sup>
W <sub>y</sub>	4.6	cm <sup>3</sup>
Weight	1812	g/m

Code No. Angle profile W 40-60			Anodised
4785000	Cut to size	max. 6000 mm	Clear
4785001	Bar	6000 mm	Clear

Code No. Corner joint	Type
4632406	KLW 40-60

W 40-90



Area	797	mm <sup>2</sup>
I <sub>x</sub>	22.0	cm <sup>4</sup>
I <sub>y</sub>	22.0	cm <sup>4</sup>
W <sub>x</sub>	7.4	cm <sup>3</sup>
W <sub>y</sub>	7.4	cm <sup>3</sup>
Weight	2153	g/m

Code No. Angle profile W 40-90			Anodised
4795000	Cut to size	max. 6000 mm	Clear
4795001	Bar	6000 mm	Clear

Code No. Corner joint	Type
4482406	KLW 40-90

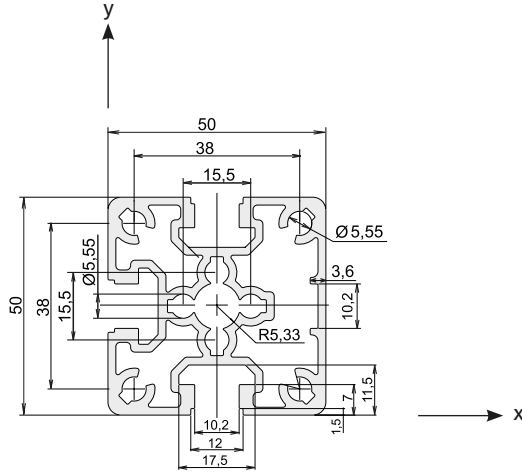
Functional profiles

Visible profiles / size 50

Order instruction:

- Purchase only in lot sizes and a multiple of that see product table below

F-G 50x50

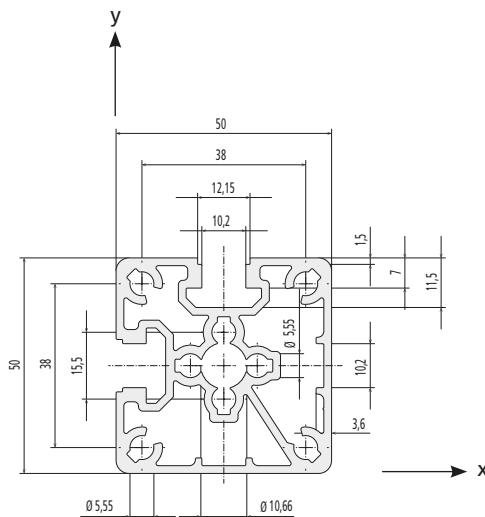


Area	832	mm <sup>2</sup>
I <sub>x</sub>	21.6	cm <sup>4</sup>
I <sub>y</sub>	22.2	cm <sup>4</sup>
W <sub>x</sub>	8.6	cm <sup>3</sup>
W <sub>y</sub>	8.9	cm <sup>3</sup>
Weight	2247	g/m

Code No. Profile F-G 50x50			Anodised
4A65000	Cut to size	max. 6000 mm	Clear
4A65001	Bar	6000 mm	Clear

Connection	Slot geometry	Flange bracket	lot sizes	Code No.
	Long	50	10, 20, 30... pcs	4086706
		40	10, 20, 30... pcs	4086702
	Flange slot stone -N-	50 (N)	-	4A66700

F-GG 50x50



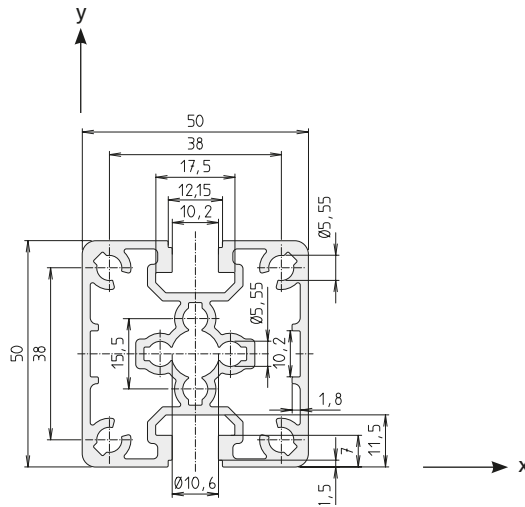
Area	815	mm <sup>2</sup>
I <sub>x</sub>	21.5	cm <sup>4</sup>
I <sub>y</sub>	22.1	cm <sup>4</sup>
W <sub>x</sub>	8.4	cm <sup>3</sup>
W <sub>y</sub>	8.7	cm <sup>3</sup>
Weight	2200	g/m

Code No. Profile F-GG 50x50			Anodised
4A75000	Cut to size	max. 6000 mm	Clear
4A75001	Bar	6000 mm	Clear

Connection	Slot geometry	Flange bracket	lot sizes	Code No.
	Flange slot stone -N-	50 (N)	-	4A66700



### F-2G 50x50

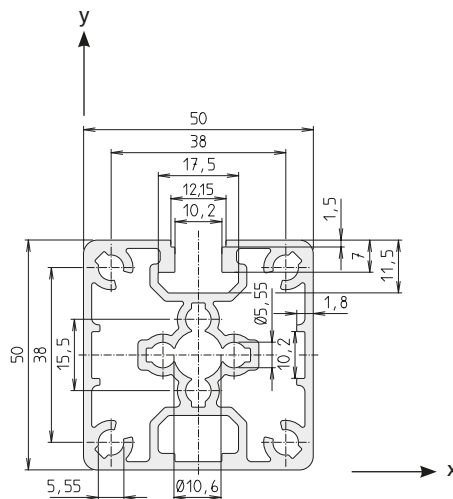


Area	779	mm <sup>2</sup>
$I_x$	20.6	cm <sup>4</sup>
$I_y$	21.8	cm <sup>4</sup>
$W_x$	8.3	cm <sup>3</sup>
$W_y$	8.7	cm <sup>3</sup>
Weight	2103	g/m

Code No. Profile F-2G 50x50			Anodised
4A85000	Cut to size	max. 6000 mm	Clear
4A85001	Bar	6000 mm	Clear

Connection	Slot geometry	Flange bracket	lot sizes	Code No.
Long	30	50	10, 20, 30... pcs	4086706
	40	50	10, 20, 30... pcs	4086702

### F-3G 50x50



Area	791	mm <sup>2</sup>
$I_x$	20.7	cm <sup>4</sup>
$I_y$	22.8	cm <sup>4</sup>
$W_x$	9.0	cm <sup>3</sup>
$W_y$	9.1	cm <sup>3</sup>
Weight	2137	g/m

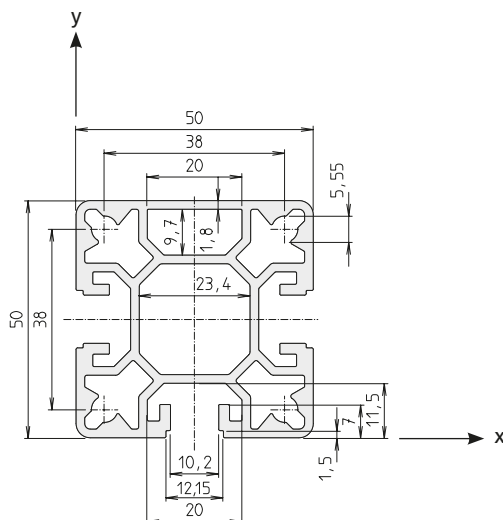
Code No. Profile F-3G 50x50			Anodised
4A95000	Cut to size	max. 6000 mm	Clear
4A95001	Bar	6000 mm	Clear

Connection	Slot geometry	Flange bracket	lot sizes	Code No.
Flange slot stone -N-	40	50 (N)	-	4A66700

Functional profiles

# Visible profiles / size 50

## Pillar profile SP-50x50



Area	753	mm <sup>2</sup>
I <sub>x</sub>	20.8	cm <sup>4</sup>
I <sub>y</sub>	20.7	cm <sup>4</sup>
W <sub>x</sub>	8.2	cm <sup>3</sup>
W <sub>y</sub>	8.3	cm <sup>3</sup>
Weight	2033	g/m

Code No. Pillar profile SP-50x50			Anodised
4635000	Cut to size	max. 6000 mm	Clear
4635001	Bar	6000 mm	Clear

**Note:** Purely a pillar/post profile on the face of which no connector can be attached. Profile lengths 6700 mm available on request.



## Functional profiles

# Visible profiles / size 60

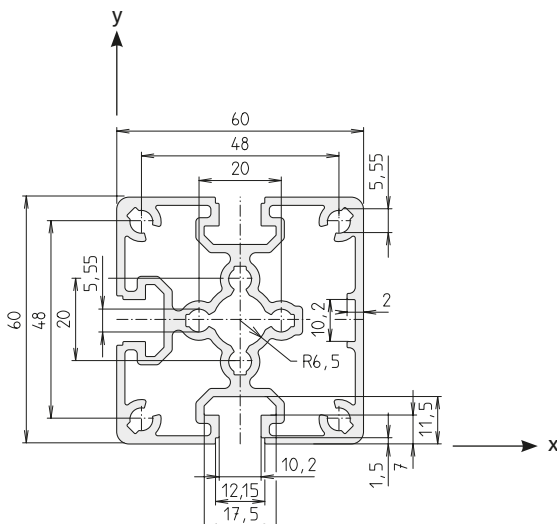
### Order instruction:

- Purchase only in lot sizes and a multiple of that see product table below



### F-G 60x60



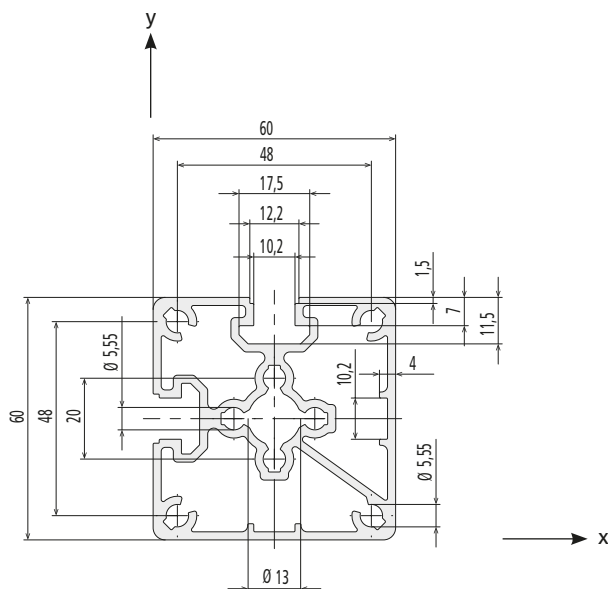
Area	1020	mm <sup>2</sup>
$I_x$	37.9	cm <sup>4</sup>
$I_y$	39.5	cm <sup>4</sup>
$W_x$	12.6	cm <sup>3</sup>
$W_y$	12.7	cm <sup>3</sup>
Weight	2757	g/m



Code No. Profile F-G 60x60			Anodised
4A25000	Cut to size	max. 6000 mm	Clear
4A25001	Bar	6000 mm	Clear


Connection	Slot geometry	Flange bracket	lot sizes	Code No.
 Long	30	60	10, 20, 30... pcs	4226706
	40	60	10, 20, 30... pcs	4226702
 Flange slot stone -N-	40	60 (N)	-	4A26700

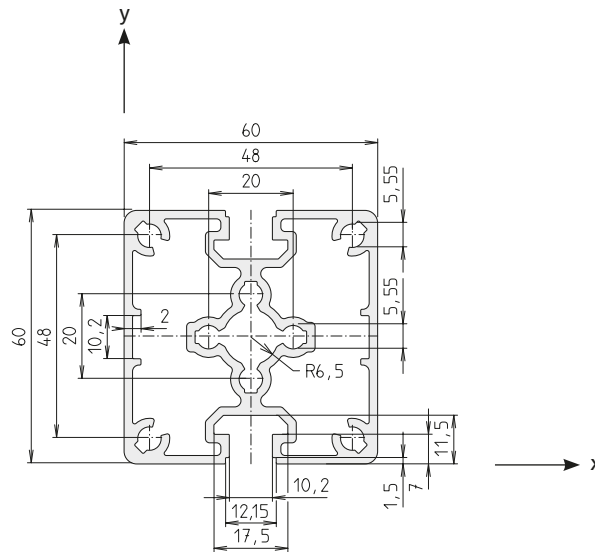
### F-GG 60x60



Code No. Profile F-GG 60x60			Anodised
4A35000	Cut to size	max. 6000 mm	Clear
4A35001	Bar	6000 mm	Clear

Area	1001	mm <sup>2</sup>
$I_x$	38.1	cm <sup>4</sup>
$I_y$	39.0	cm <sup>4</sup>
$W_x$	12.5	cm <sup>3</sup>
$W_y$	12.8	cm <sup>3</sup>
Weight	2701	g/m

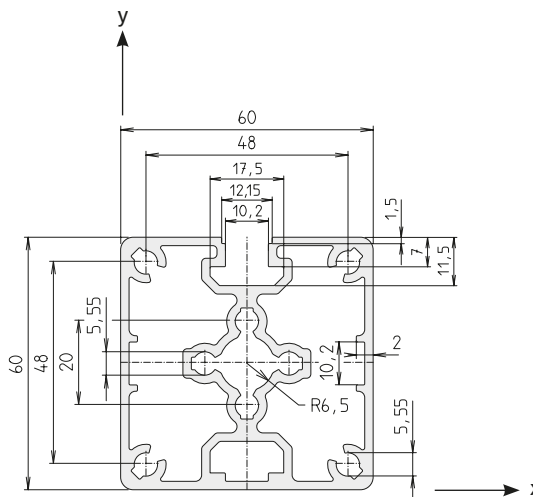
Connection	Slot geometry	Flange bracket	lot sizes	Code No.
 Flange slot stone -N-	40	60 (N)	-	4A26700

**F-2G 60x60**


Area	956	mm <sup>2</sup>
$I_x$	36.2	cm <sup>4</sup>
$I_y$	39.1	cm <sup>4</sup>
$W_x$	12.1	cm <sup>3</sup>
$W_y$	13.0	cm <sup>3</sup>
Weight	2585	g/m

Code No. Profile F-2G 60x60			Anodised
4A45000	Cut to size	max. 6000 mm	Clear
4A45001	Bar	6000 mm	Clear

Connection	Slot geometry	Flange bracket	lot sizes	Code No.
Long	30	60	10, 20, 30... pcs	4226706
	40	60	10, 20, 30... pcs	4226702

**F-3G 60x60**


Area	981	mm <sup>2</sup>
$I_x$	36.5	cm <sup>4</sup>
$I_y$	41.2	cm <sup>4</sup>
$W_x$	11.9	cm <sup>3</sup>
$W_y$	13.7	cm <sup>3</sup>
Weight	2649	g/m

Code No. Profile F-3G 60x60			Anodised
4A55000	Cut to size	max. 6000 mm	Clear
4A55001	Bar	6000 mm	Clear

Connection	Slot geometry	Flange bracket	lot sizes	Code No.
Flange slot stone -N-	40	60 (N)	-	4A26700

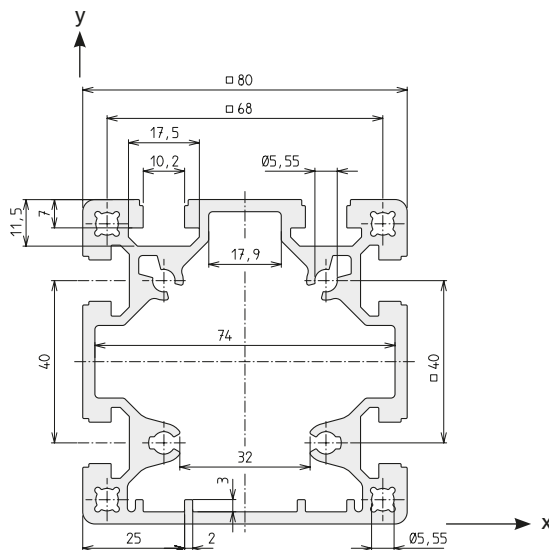
## Functional profiles

# Visible profiles / size 80

### Order instruction:

- Purchase only in lot sizes and a multiple of that see product table below

### F-G 80x80

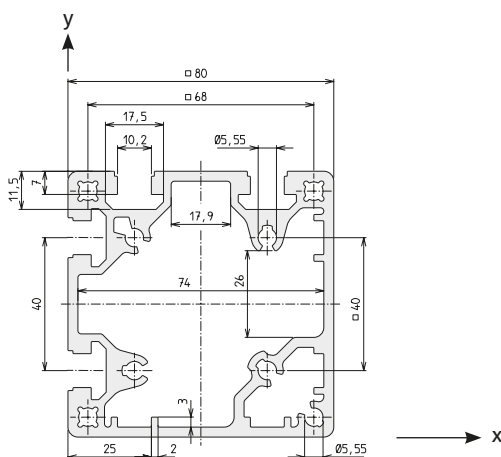


Area	1710	mm <sup>2</sup>
$I_x$	135.5	cm <sup>4</sup>
$I_y$	139.3	cm <sup>4</sup>
$W_x$	34.8	cm <sup>3</sup>
$W_y$	33.0	cm <sup>3</sup>
Weight	4557	g/m

Code No. Profile F-G 80x80			Anodised
4585000	Cut to size	max. 6000 mm	Clear
4585001	Bar	6000 mm	Clear

Connection	Slot geometry	Flange bracket	lot sizes	Code No.	
	Long	30	80	10, 20, 30... pcs	4316706
		40	80	10, 20, 30... pcs	4246702
	Extra long	40	80 (EL)	–	4586702
	Flange slot stone -N-	40	80 (N)	–	4586703

### F-GG 80x80

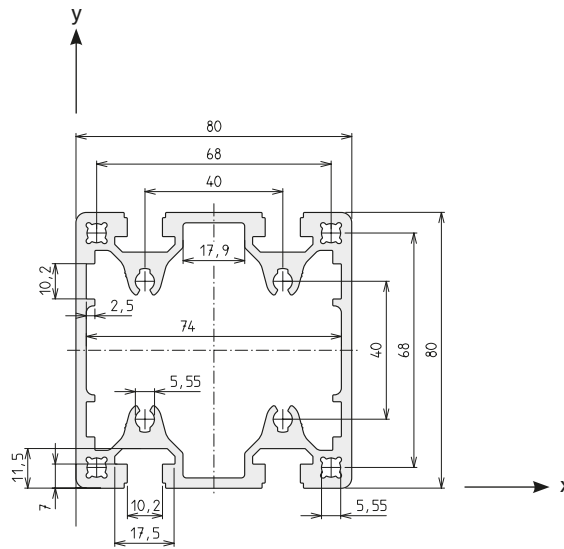


Area	1686	mm <sup>2</sup>
$I_x$	136.2	cm <sup>4</sup>
$I_y$	136.2	cm <sup>4</sup>
$W_x$	34.1	cm <sup>3</sup>
$W_y$	34.1	cm <sup>3</sup>
Weight	4497	g/m

Code No. Profile F-GG 80x80			Anodised
4595000	Cut to size	max. 6000 mm	Clear
4595001	Bar	6000 mm	Clear

Connection	Slot geometry	Flange bracket	lot sizes	Code No.	
	Extra long	40	80 (EL)	–	4586702
	Flange slot stone -N-	40	80 (N)	–	4586703

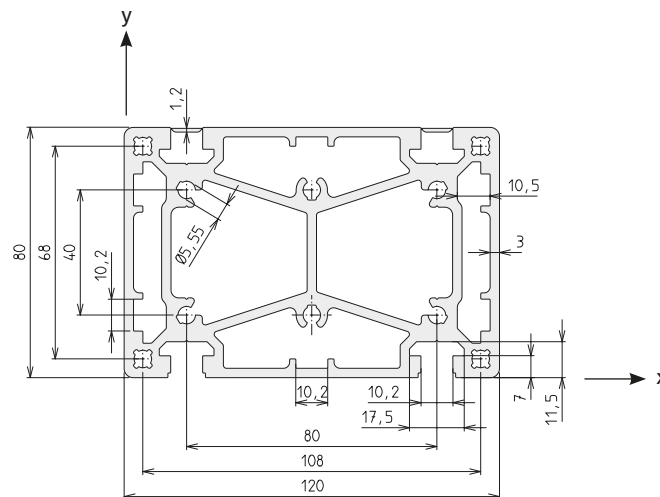


**F-2G 80x80**


Area	1656	mm <sup>2</sup>
$I_x$	133.4	cm <sup>4</sup>
$I_y$	140.0	cm <sup>4</sup>
$W_x$	33.3	cm <sup>3</sup>
$W_y$	35.5	cm <sup>3</sup>
Weight	4471	g/m

Code No. Profile F-2G 80x80			Anodised
4A15000	Cut to size	max. 6000 mm	Clear
4A15001	Bar	6000 mm	Clear

Connection	Slot geometry	Flange bracket	lot sizes	Code No.	
	Long	30	80	10, 20, 30... pcs	4316706
		40	80	10, 20, 30... pcs	4246702

**F-3G 80x120-A**


Area	2896	mm <sup>2</sup>
$I_x$	213.3	cm <sup>4</sup>
$I_y$	467.8	cm <sup>4</sup>
$W_x$	52.8	cm <sup>3</sup>
$W_y$	77.9	cm <sup>3</sup>
Weight	7818	g/m

Code No. Profile F-3G 80x120-A			Anodised
4965000	Cut to size	max. 6000 mm	Clear
4965001	Bar	6000 mm	Clear

Connection	Slot geometry	Flange bracket	lot sizes	Code No.	
	Extra long	40	120 (A)	-	4966700
	Extra long	40	80 (EL)	-	4586702

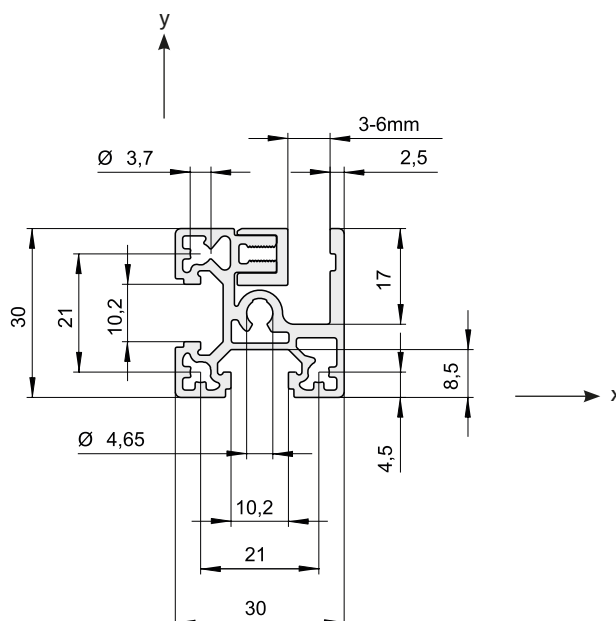
## Functional profiles

# Frame profiles / size 30

### Order instruction:

- Purchase only in lot sizes and a multiple of that see product table below

## Clamping profile KL 30x30-3

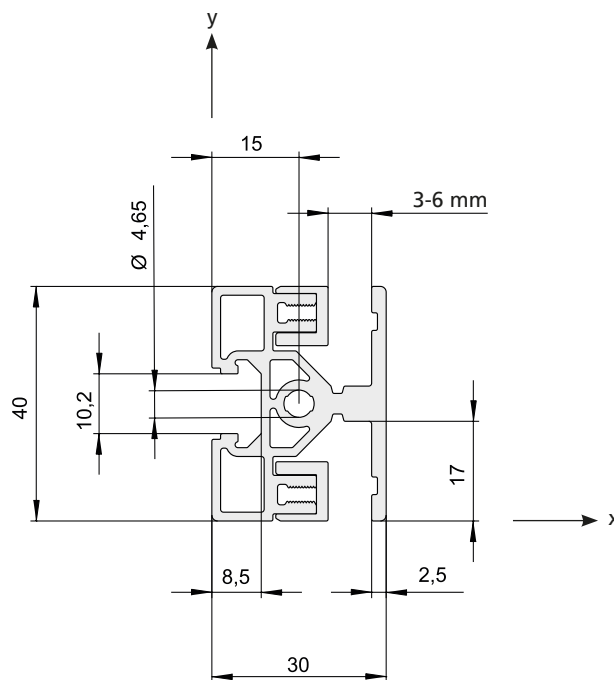


Area	320	mm <sup>2</sup>
$I_x$	2.5	cm <sup>4</sup>
$I_y$	3.1	cm <sup>4</sup>
$W_x$	1.6	cm <sup>3</sup>
$W_y$	2.1	cm <sup>3</sup>
Weight	989	g/m

Code No. Clamping profile KL 30x30-3			Anodised
4F75008	Cut to size	max. 6000 mm	Clear
4F75009	Bar	à 6000 mm	Clear

Code No. Corner joint	Type	lot sizes
4202406	KL 30	4, 8, 12... pcs

## Clamping profile KLD 30x40



Area	436	mm <sup>2</sup>
$I_x$	5,5	cm <sup>4</sup>
$I_y$	3,8	cm <sup>4</sup>
$W_x$	2,7	cm <sup>3</sup>
$W_y$	2,5	cm <sup>3</sup>
Weight	1426	g/m

Code No. Clamping profile KLD 30x40			Anodised
4F85008	Cut to size	max. 6000 mm	Clear
4F85009	Bar	à 6000 mm	Clear

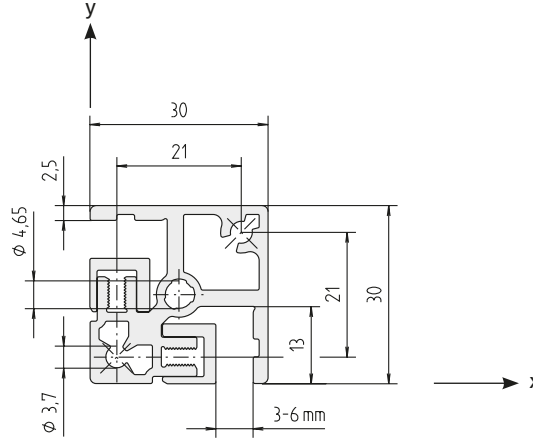
## Functional profiles

# Frame profiles / size 30

### Order instruction:

- Purchase only in lot sizes and a multiple of that see product table below

### Clamping profile KLE 30x30

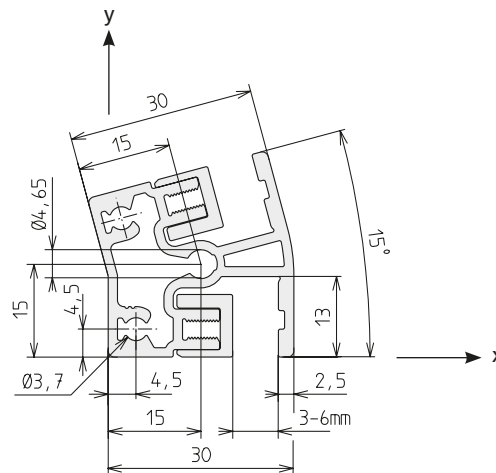


Area	348	mm <sup>2</sup>
$I_x$	3.0	cm <sup>4</sup>
$I_y$	3.0	cm <sup>4</sup>
$W_x$	2.0	cm <sup>3</sup>
$W_y$	2.0	cm <sup>3</sup>
Weight	1179	g/m

Code No. Clamping profile KLE 30x30			Anodised
4705008	Cut to size	max. 6000 mm	Clear
4705009	Bar	6000 mm	Clear

Code No. Corner joint	Type	lot sizes
4702406	KLE 30	4, 8, 12... pcs

### Clamping profile KLV 30-15

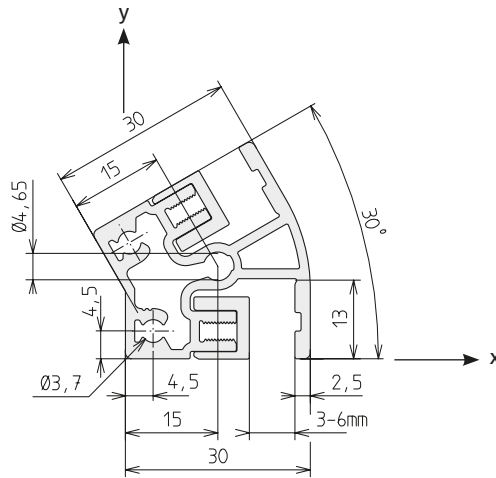


Area	405	mm <sup>2</sup>
$I_x$	2.5	cm <sup>4</sup>
$I_y$	3.3	cm <sup>4</sup>
$W_x$	1.4	cm <sup>3</sup>
$W_y$	1.9	cm <sup>3</sup>
Weight	853	g/m

Code No. Clamping profile KLV 30-15			Anodised
4405000	Cut to size	max. 6000 mm	Clear
4405001	Bar	6000 mm	Clear

Code No. Corner joint	Type	lot sizes
4402406	KLV 30-15	-

## Clamping profile K LW 30-30



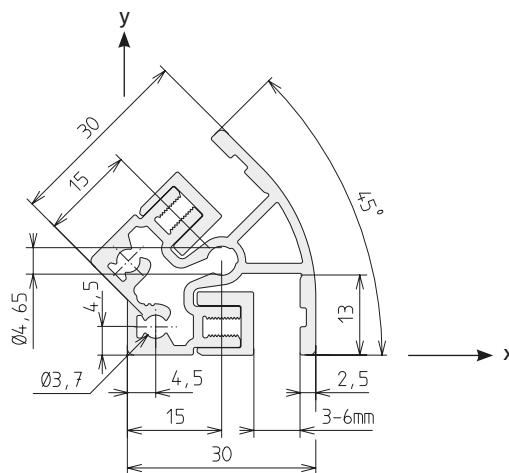
Area	405	mm <sup>2</sup>
$I_x$	2.4	cm <sup>4</sup>
$I_y$	3.3	cm <sup>4</sup>
$W_x$	1.2	cm <sup>3</sup>
$W_y$	1.8	cm <sup>3</sup>
Weight	852	g/m

Code No. Clamping profile K LW 30-30			Anodised
4415000	Cut to size	max. 6000 mm	Clear
4415001	Bar	6000 mm	Clear

Code No. Corner joint	Type
4412406	K LW 30-30

## Clamping profile K LW 30-45



Area	402	mm <sup>2</sup>
$I_x$	2.4	cm <sup>4</sup>
$I_y$	3.1	cm <sup>4</sup>
$W_x$	1.1	cm <sup>3</sup>
$W_y$	1.7	cm <sup>3</sup>
Weight	845	g/m

Code No. Clamping profile K LW 30-45			Anodised
4425000	Cut to size	max. 6000 mm	Clear
4425001	Bar	6000 mm	Clear

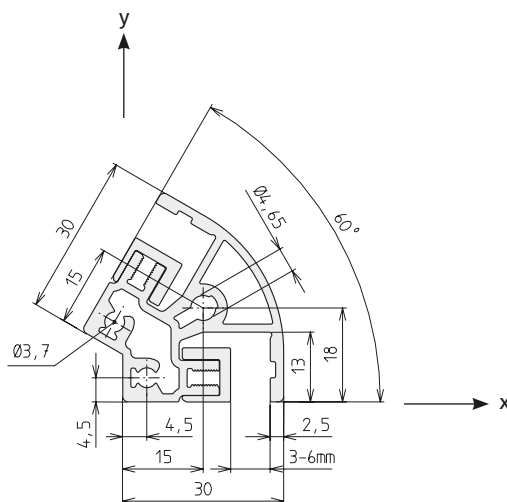
  

Code No. Corner joint	Type
4422406	K LW 30-45

## Functional profiles

# Frame profiles / size 30

## Clamping profile K LW 30-60



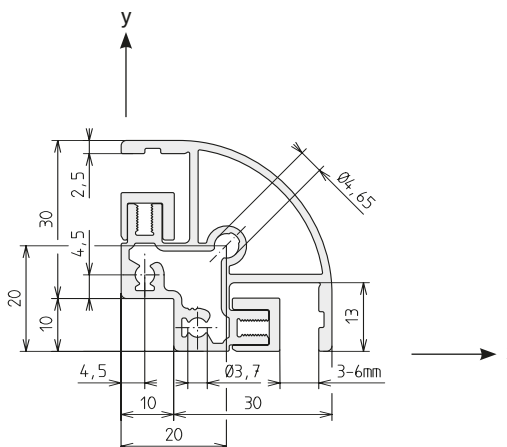
Area	357	mm <sup>2</sup>
$I_x$	3.3	cm <sup>4</sup>
$I_y$	3.5	cm <sup>4</sup>
$W_x$	1.7	cm <sup>3</sup>
$W_y$	1.5	cm <sup>3</sup>
Weight	966	g/m

Code No. Clamping profile K LW30-60			Anodised
4445000	Cut to size	max. 6000 mm	Clear
4445001	Bar	6000 mm	Clear

Code No. Corner joint	Type
4622406	K LW 30-60

## Clamping profile K LW 30-90



Area	640	mm <sup>2</sup>
$I_x$	9.7	cm <sup>4</sup>
$I_y$	7.2	cm <sup>4</sup>
$W_x$	2.7	cm <sup>3</sup>
$W_y$	4.1	cm <sup>3</sup>
Weight	1051	g/m

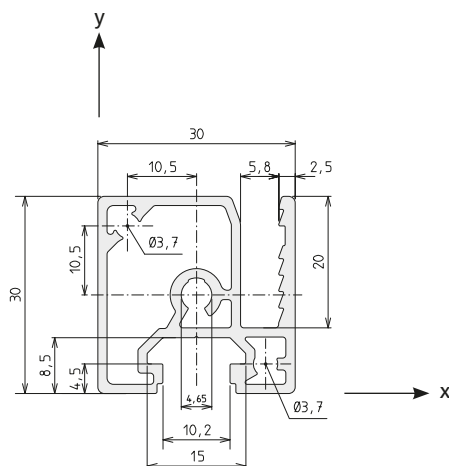
Code No. Clamping profile K LW 30-90			Anodised
4435000	Cut to size	max. 6000 mm	Clear
4435001	Bar	6000 mm	Clear

Code No. Corner joint	Type
4432406	K LW 30-90

**Order instruction:**

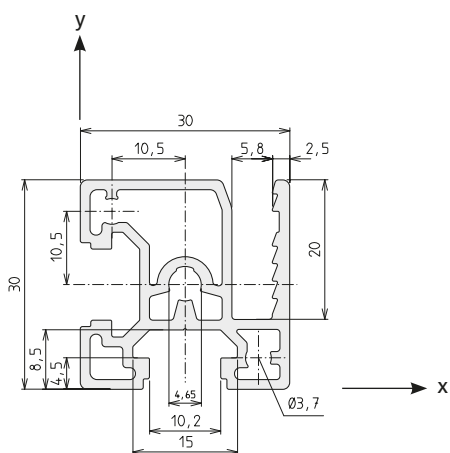
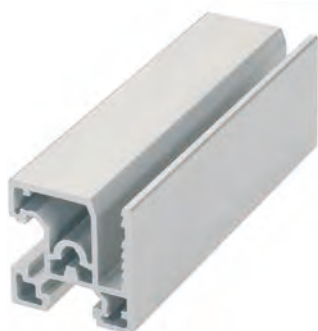
- Purchase only in lot sizes and a multiple of that see product table below

**ESP 30x30**


Code No. Inserting profile ESP 30x30			Anodised
4895000	Cut to size	max. 6000 mm	Clear
4895001	Bar	6000 mm	Clear

Area	275	mm <sup>2</sup>
I <sub>x</sub>	2.3	cm <sup>4</sup>
I <sub>y</sub>	2.8	cm <sup>4</sup>
W <sub>x</sub>	1.4	cm <sup>3</sup>
W <sub>y</sub>	1.8	cm <sup>3</sup>
Weight	742	g/m

Code No.	Type	lot sizes
4202406	Corner joint KL 30	4, 8, 12... pcs
4016578	Wire mesh 30x30x3 Galvanised steel, max. size 2x3 m	-

**ESP 30x30/2**


Code No. Inserting profile ESP 30x30/2			Anodised
4935000	Cut to size	max. 6000 mm	Clear
4935001	Bar	6000 mm	Clear

Area	293.8	mm <sup>2</sup>
I <sub>x</sub>	2.4	cm <sup>4</sup>
I <sub>y</sub>	2.8	cm <sup>4</sup>
W <sub>x</sub>	1.5	cm <sup>3</sup>
W <sub>y</sub>	1.8	cm <sup>3</sup>
Weight	796	g/m

Code No.	Type	lot sizes
4202406	Corner joint KL 30	4, 8, 12... pcs
4016578	Wire mesh 30x30x3 Galvanised steel, max. size 2x3 m	-

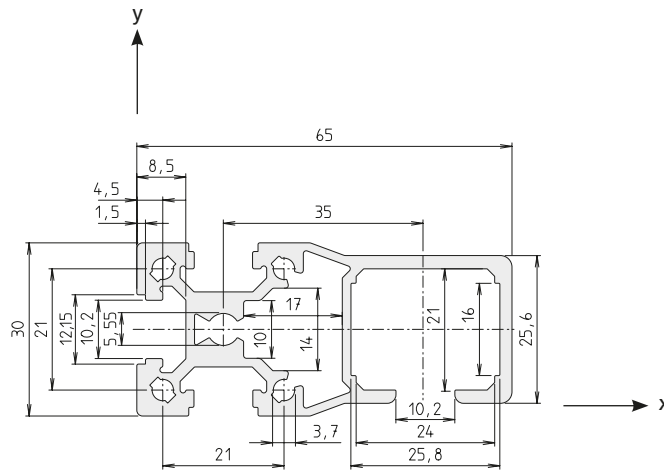
## Functional profiles

# Frame profiles / size 40

### Order instruction:

- Purchase only in lot sizes and a multiple of that see product table below

STP 30

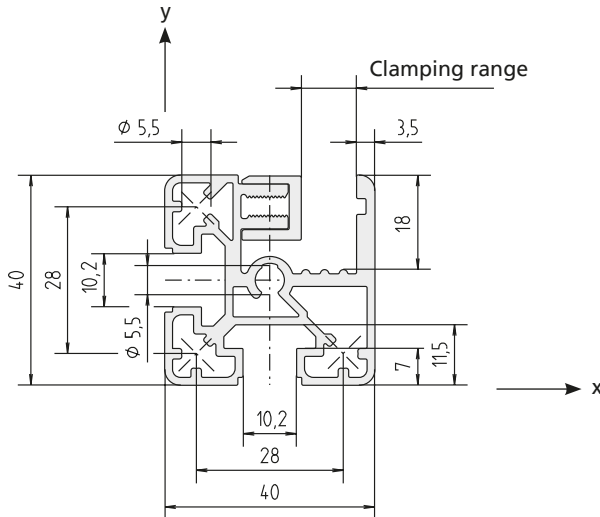


Code No. Sliding door profile STP-30			Anodised
4175000	Cut to size	max. 6000 mm	Clear
4175001	Bar	6000 mm	Clear

Area	536	mm <sup>2</sup>
$I_x$	5.2	cm <sup>4</sup>
$I_y$	22.8	cm <sup>4</sup>
$W_x$	3.7	cm <sup>3</sup>
$W_y$	6.1	cm <sup>3</sup>
Weight	1448	g/m

Connection	Slot geometry	Flange bracket	lot sizes	Code No.
long. + transverse	30	30	10, 20, 30... pcs	4176704
	40	30	10, 20, 30... pcs	4176705

## Clamping profile KL 40x40-3



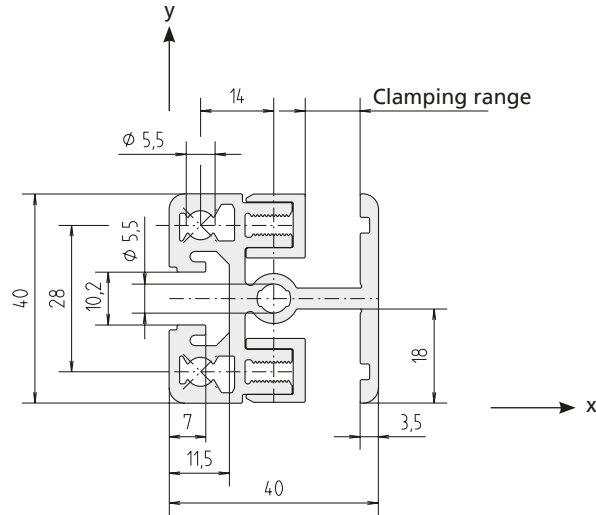
Code No. Clamping profile KL 40x40-3			Clamping range	Ano-dised
4B95100	Cut to size	max. 6000 mm	0-6 mm	Clear
4B95101	Bar	6000 mm	0-6 mm	Clear
4B95008	Cut to size	max. 6000 mm	4-10 mm	Clear
4B95009	Bar	6000 mm	4-10 mm	Clear

Area	561	mm <sup>2</sup>
$I_x$	7.6	cm <sup>4</sup>
$I_y$	9.3	cm <sup>4</sup>
$W_x$	3.8	cm <sup>3</sup>
$W_y$	4.6	cm <sup>3</sup>
Weight	1745	g/m

Code No. Corner joint	Type	lot sizes
4212406	KL 40	4, 8, 12... pcs



### Clamping profile KLD 40x40

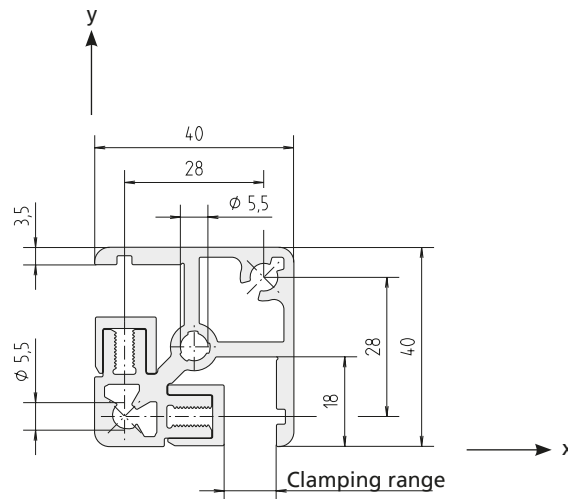


Area	612	mm <sup>2</sup>
$I_x$	8.3	cm <sup>4</sup>
$I_y$	10.0	cm <sup>4</sup>
$W_x$	4.1	cm <sup>3</sup>
$W_y$	5.5	cm <sup>3</sup>
Weight	1975	g/m

Code No. Clamping profile KLD 40x40			Clamping range	Ano-dised
4615100	Cut to size	max. 6000 mm	0-6 mm	Clear
4615101	Bar	6000 mm	0-6 mm	Clear
4615008	Cut to size	max. 6000 mm	4-10 mm	Clear
4615009	Bar	6000 mm	4-10 mm	Clear

Code No. Corner joint	Type	lot sizes
4212408	KLK 40	4, 8, 12... pcs
4212407	KLV 40	4, 8, 12... pcs

### Clamping profile KLE 40x40



Area	590	mm <sup>2</sup>
$I_x$	9.3	cm <sup>4</sup>
$I_y$	9.3	cm <sup>4</sup>
$W_x$	4.6	cm <sup>3</sup>
$W_y$	4.6	cm <sup>3</sup>
Weight	1914	g/m

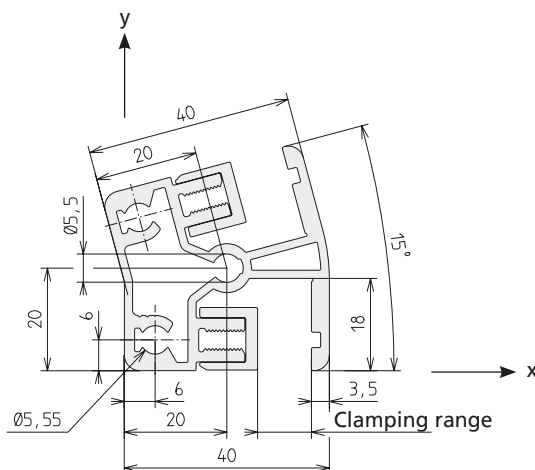
Code No. Clamping profile KLE 40x40			Clamping range	Ano-dised
4715100	Cut to size	max. 6000 mm	0-6 mm	Clear
4715101	Bar	6000 mm	0-6 mm	Clear
4715008	Cut to size	max. 6000 mm	4-10 mm	Clear
4715009	Bar	6000 mm	4-10 mm	Clear

Code No. Corner joint	Type	lot sizes
4712406	KLE 40	4, 8, 12... pcs

## Functional profiles

# Frame profiles / size 40

## Clamping profile K LW 40-15



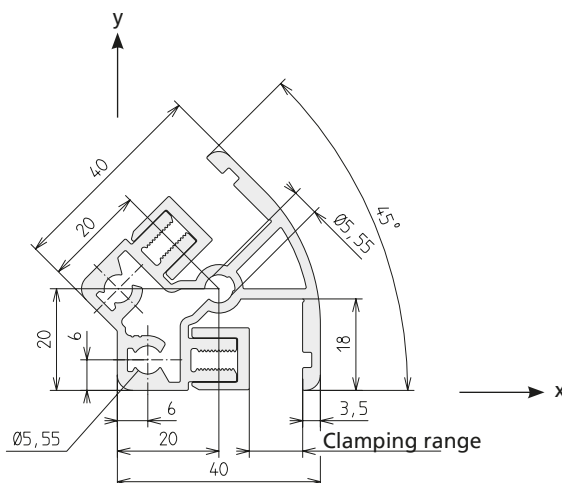
Area	641	mm <sup>2</sup>
$I_x$	7.4	cm <sup>4</sup>
$I_y$	9.7	cm <sup>4</sup>
$W_x$	3.1	cm <sup>3</sup>
$W_y$	4.4	cm <sup>3</sup>
Weight	1408	g/m

Code No. Clamping profile K LW 40-15			Clamping range	Ano-dised
4455100	Cut to size	max. 6000 mm	0-6 mm	Clear
4455101	Bar	6000 mm	0-6 mm	Clear
4455000	Cut to size	max. 6000 mm	4-10 mm	Clear
4455001	Bar	6000 mm	4-10 mm	Clear

Code No. Corner joint	Type
4412406	K LW 40-15



### Clamping profile KLW 40-45

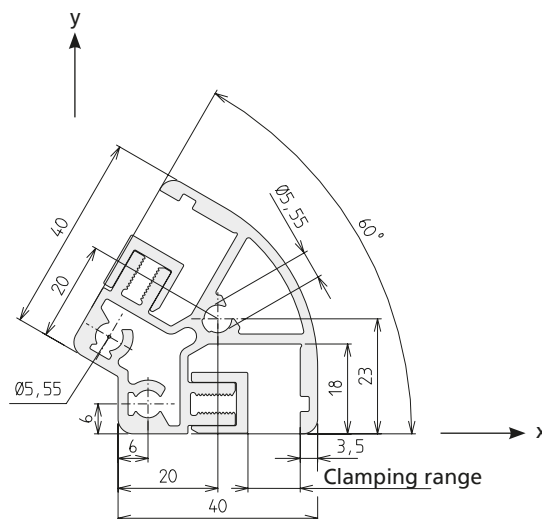


Area	654	mm <sup>2</sup>
$I_x$	7.3	cm <sup>4</sup>
$I_y$	9.6	cm <sup>4</sup>
$W_x$	2.6	cm <sup>3</sup>
$W_y$	3.9	cm <sup>3</sup>
Weight	1764	g/m

Code No. Clamping profile KLW 40-45			Clamping range	Ano-dised
4475100	Cut to size	max. 6000 mm	0-6 mm	Clear
4475101	Bar	6000 mm	0-6 mm	Clear
4475000	Cut to size	max. 6000 mm	4-10 mm	Clear
4475001	Bar	6000 mm	4-10 mm	Clear

Code No. Corner joint	Type
4472406	KLW 40-45

### Clamping profile KLW 40-60



Area	572	mm <sup>2</sup>
$I_x$	9.6	cm <sup>4</sup>
$I_y$	10.7	cm <sup>4</sup>
$W_x$	3.8	cm <sup>3</sup>
$W_y$	3.3	cm <sup>3</sup>
Weight	1545	g/m

Code No. Clamping profile KLW 40-60			Clamping range	Ano-dised
4495100	Cut to size	max. 6000 mm	0-6 mm	Clear
4495101	Bar	6000 mm	0-6 mm	Clear
4495000	Cut to size	max. 6000 mm	4-10 mm	Clear
4495001	Bar	6000 mm	4-10 mm	Clear

Code No. Corner joint	Type
4632406	KLW 40-60

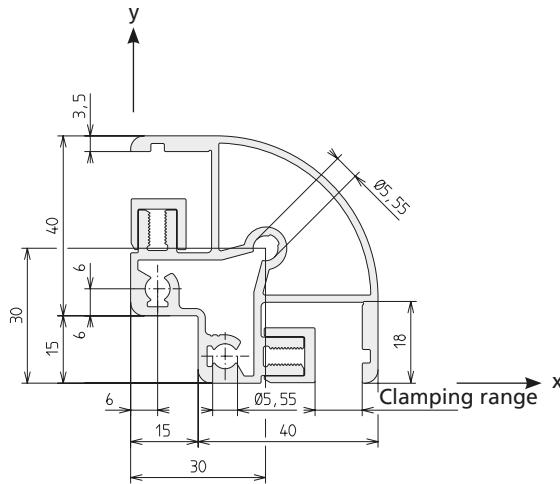
Functional profiles

# Frame profiles / size 40

**Order instruction:**

- Purchase only in lot sizes and a multiple of that see product table below

## Clamping profile K LW 40-90



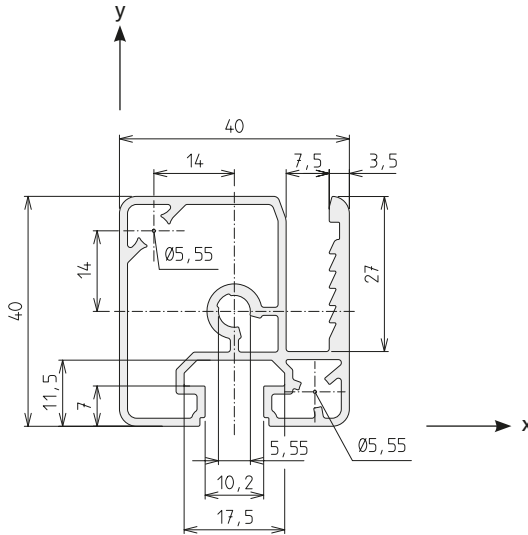
Area	774	mm <sup>2</sup>
I <sub>x</sub>	17.3	cm <sup>4</sup>
I <sub>y</sub>	17.3	cm <sup>4</sup>
W <sub>x</sub>	5.8	cm <sup>3</sup>
W <sub>y</sub>	5.8	cm <sup>3</sup>
Weight	1767	g/m

Code No. Clamping profile K LW 40-90			Clamping range	Anodised
4485100	Cut to size	max. 6000 mm	0-6 mm	Clear
4485101	Bar	6000 mm	0-6 mm	Clear
4485000	Cut to size	max. 6000 mm	4-10 mm	Clear
4485001	Bar	6000 mm	4-10 mm	Clear

Code No. Corner joint	Type	lot sizes
4482406	K LW 40-90	-

## ESP 40x40

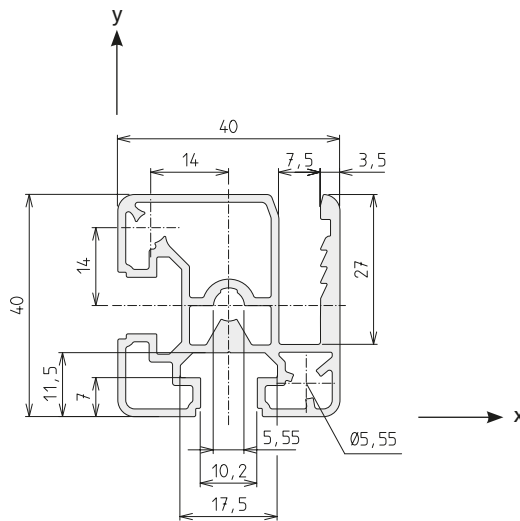


Area	405	mm <sup>2</sup>
I <sub>x</sub>	6.1	cm <sup>4</sup>
I <sub>y</sub>	7.3	cm <sup>4</sup>
W <sub>x</sub>	2.7	cm <sup>3</sup>
W <sub>y</sub>	3.5	cm <sup>3</sup>
Weight	1095	g/m

Code No. Inserting profile ESP 40x40			Anodised
4905000	Cut to size	max. 6000 mm	Clear
4905001	Bar	6000 mm	Clear

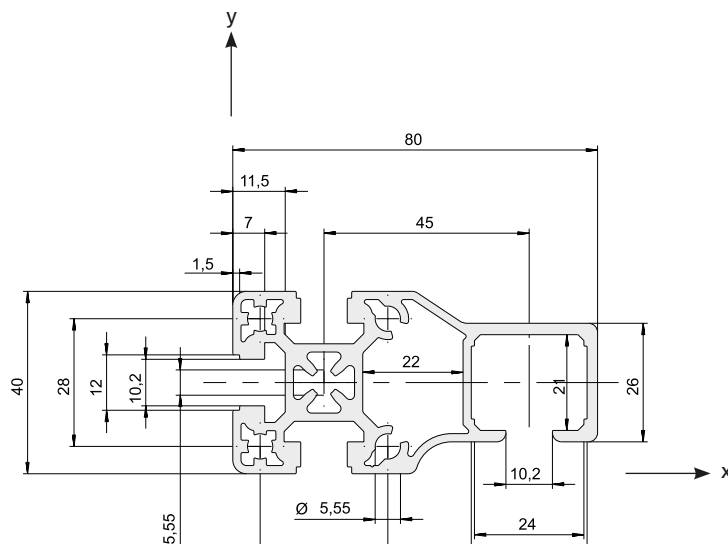
Code No.	Type	lot sizes
4212406	Corner joint KL 40	4, 8, 12... pcs
4016579	Wire mesh 40x40x3.8 Galvanised steel, max. size 2x3 m	-

**ESP 40x40/2**


Code No. Inserting profile ESP 40x40			Anodised
4945000	Cut to size	max. 6000 mm	Clear
4945001	Bar	6000 mm	Clear

Area	457	mm <sup>2</sup>
$I_x$	6.3	cm <sup>4</sup>
$I_y$	7.7	cm <sup>4</sup>
$W_x$	3.0	cm <sup>3</sup>
$W_y$	3.6	cm <sup>3</sup>
Weight	1234	g/m

Code No.	Type	lot sizes
4212406	Corner joint KL 40	4, 8, 12... pcs
4016579	Wire mesh 40x40x3.8 Galvanised steel, max. size 2x3 m	-

**STP-40**


Code No. Sliding door profile STP-40			Anodised
4185000	Cut to size	max. 6000 mm	Clear
4185001	Bar	6000 mm	Clear

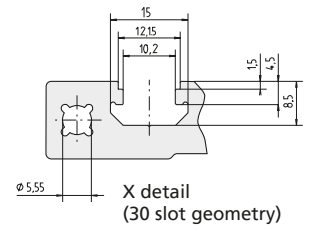
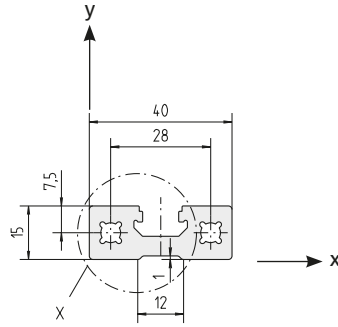
Area	815	mm <sup>2</sup>
$I_x$	12.5	cm <sup>4</sup>
$I_y$	46.5	cm <sup>4</sup>
$W_x$	6.1	cm <sup>3</sup>
$W_y$	9.7	cm <sup>3</sup>
Weight	2199	g/m

Connection	Slot geometry	Flange bracket	lot sizes	Code No.
long. + transverse	30	40	10, 20, 30... pcs	4816703
	40	40	10, 20, 30... pcs	4816702

Functional profiles

# Special profiles / size 15

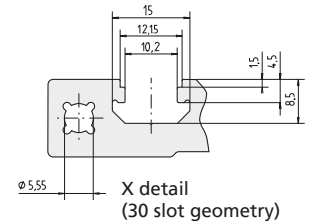
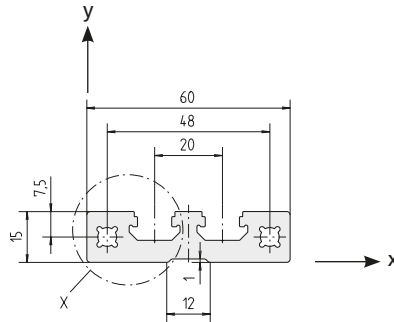
## 15x40



Area	421	mm <sup>2</sup>
I <sub>x</sub>	0.8	cm <sup>4</sup>
I <sub>y</sub>	6.6	cm <sup>4</sup>
W <sub>x</sub>	1.3	cm <sup>3</sup>
W <sub>y</sub>	3.3	cm <sup>3</sup>
Weight	1137	g/m

Code No. Profile 15x40			Anodised	
4385000	Cut to size	max. 3000 mm	Clear	
4385001	Bar	3000 mm	Clear	
Connection	Quantity required per conn.	Slot geometry	Flange bracket	Code No.
long.	2	30	15	4386704
	2	40	15	4386705

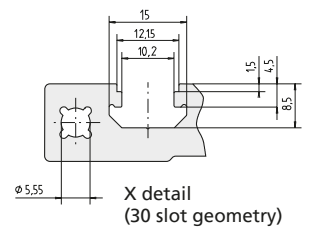
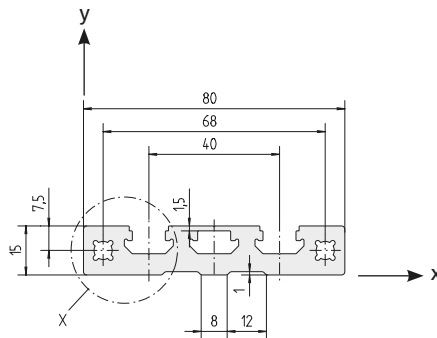
## 15x60



Area	619	mm <sup>2</sup>
I <sub>x</sub>	1.2	cm <sup>4</sup>
I <sub>y</sub>	21.0	cm <sup>4</sup>
W <sub>x</sub>	1.9	cm <sup>3</sup>
W <sub>y</sub>	7.0	cm <sup>3</sup>
Weight	1670	g/m

Code No. Profile 15x60			Anodised	
4345000	Cut to size	max. 3000 mm	Clear	
4345001	Bar	3000 mm	Clear	
Connection	Quantity required per conn.	Slot geometry	Flange bracket	Code No.
long.	2	30	15	4386704
	2	40	15	4386705

## 15x80

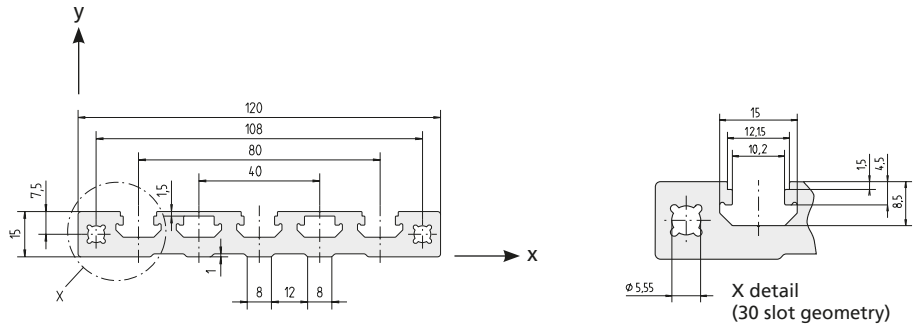


Area	823	mm <sup>2</sup>
I <sub>x</sub>	1.7	cm <sup>4</sup>
I <sub>y</sub>	47.8	cm <sup>4</sup>
W <sub>x</sub>	2.5	cm <sup>3</sup>
W <sub>y</sub>	11.9	cm <sup>3</sup>
Weight	2220	g/m

Code No. Profile 15x80			Anodised	
4355000	Cut to size	max. 3000 mm	Clear	
4355001	Bar	3000 mm	Clear	
Connection	Quantity required per conn.	Slot geometry	Flange bracket	Code No.
long.	2	30	15	4386704
	2	40	15	4386705



## 15x120

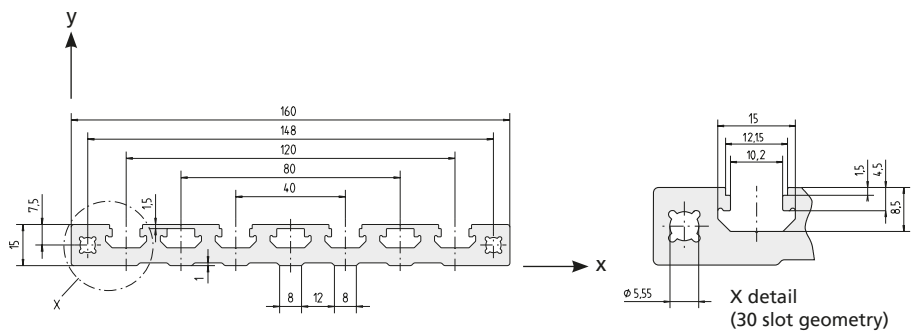


Code No. Profile 15x120			Anodised
4365000	Cut to size	max. 6000 mm	Clear
4365001	Bar	6000 mm	Clear

Area	1213	mm <sup>2</sup>
$I_x$	2.4	cm <sup>4</sup>
$I_y$	154.9	cm <sup>4</sup>
$W_x$	3.6	cm <sup>3</sup>
$W_y$	25.8	cm <sup>3</sup>
Weight	3270	g/m

Connection	Quantity required per conn.	Slot geometry	Flange bracket	Code No.
long.	2	30	15	4386704
long.	2	40	15	4386705

## 15x160



Code No. Profile 15x160			Anodised
4375000	Cut to size	max. 6000 mm	Clear
4375001	Bar	6000 mm	Clear

Area	1602	mm <sup>2</sup>
$I_x$	3.1	cm <sup>4</sup>
$I_y$	359.0	cm <sup>4</sup>
$W_x$	4.8	cm <sup>3</sup>
$W_y$	44.9	cm <sup>3</sup>
Weight	4320	g/m

Connection	Quantity required per conn.	Slot geometry	Flange bracket	Code No.
long.	2	30	15	4386704
long.	2	40	15	4386705

## Functional profiles

# Special profiles M-BLOCAN®/ size 20

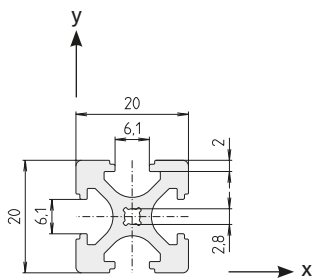
### Order instruction:

- Purchase only in lot sizes and a multiple of that see product table below

### F-20x20



Area	198	mm <sup>2</sup>
$I_x$	0.8	cm <sup>4</sup>
$I_y$	0.8	cm <sup>4</sup>
$W_x$	0.8	cm <sup>3</sup>
$W_y$	0.8	cm <sup>3</sup>
Weight	533	g/m



Code No. Profile F-20x20			Anodised
E01000BBA	Cut to size	max. 3000 mm	Clear
E01000BBC	Bar	3000 mm	Clear

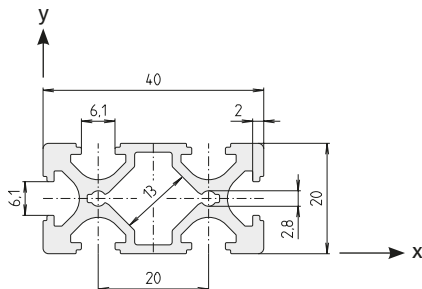
  

Connection	To slot geom.	Flange bracket kit	lot sizes	Code No.
transverse	20	F-20x20	10, 20, 30... pcs	E01007AAE
long.+ transverse	30	Adapter	–	E01009AAE
	40	Adapter	–	E01012AAE

### F-20x40



Area	313.2	mm <sup>2</sup>
$I_x$	1.31	cm <sup>4</sup>
$I_y$	5.39	cm <sup>4</sup>
$W_x$	1.31	cm <sup>3</sup>
$W_y$	2.69	cm <sup>3</sup>
Weight	846	g/m



Code No. Profile F-20x40			Anodised
E03000BBA	Cut to size	max. 6000 mm	Clear
E03000BBC	Bar	6000 mm	Clear

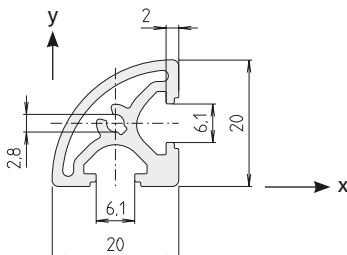
  

Connection	To slot geom.	Flange bracket kit	lot sizes	Code No.
transverse	20	F-20x40	10, 20, 30... pcs	E01007AAE
long.	20	F-20x40	10, 20, 30... pcs	E03007AAE
	30	Adapter	–	E03009AAE
	40	Adapter	–	E03012AAE

### F-R 20



Area	154.50	mm <sup>2</sup>
$I_x$	0.54	cm <sup>4</sup>
$W_x$	0.63	cm <sup>3</sup>
$W_y$	0.48	cm <sup>3</sup>
Weight	416	g/m

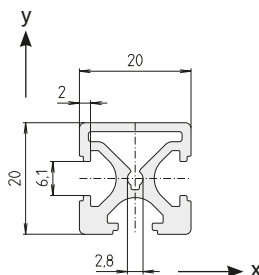


Code No. Profile F-R 20			Anodised
E02000BBA	Cut to size	max. 3000 mm	Clear
E02000BBC	Bar	3000 mm	Clear

Connection	To slot geom.	Flange bracket kit	lot sizes	Code No.
long. + transverse	20	F-R 20	10, 20, 30... pcs	E02007AAE
	30	Adapter	–	E07009AAE
	40	Adapter	–	E07012AAE

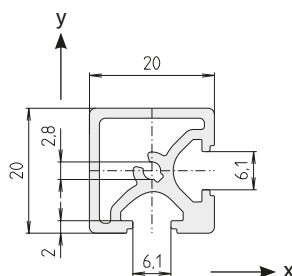


**F-G 20x20**


Area	182.00	mm <sup>2</sup>
$I_x$	0.77	cm <sup>4</sup>
$I_y$	0.71	cm <sup>4</sup>
$W_x$	0.792	cm <sup>3</sup>
$W_y$	0.714	cm <sup>3</sup>
Weight	491	g/m

Code No. Profile F-G 20x20			Anodised
<b>E07000BBA</b>	Cut to size	max. 3000 mm	Clear
<b>E07000BBC</b>	Bar	3000 mm	Clear

Connection	To slot geom.	Flange bracket kit	lot sizes	Code No.
Long	20	F-G 20x20	10, 20, 30... pcs	<b>E01007AAE</b>
	30	Adapter	–	<b>E01009AAE</b>
	40	Adapter	–	<b>E01012AAE</b>
Short	20	F-G 20x20	10, 20, 30... pcs	<b>E07007AAE</b>
	30	Adapter	–	<b>E07009AAE</b>
	40	Adapter	–	<b>E07012AAE</b>

**F-GG 20x20**


Area	166.00	mm <sup>2</sup>
$I_x$	0.72	cm <sup>4</sup>
$W_x$	0.74	cm <sup>3</sup>
$W_y$	0.70	cm <sup>3</sup>
Weight	450	g/m

Code No. Profile F-GG 20x20			Anodised
<b>E08000BBA</b>	Cut to size	max. 3000 mm	Clear
<b>E08000BBC</b>	Bar	3000 mm	Clear

Connection	To slot geom.	Flange bracket kit	lot sizes	Code No.
Short	20	F-GG 20x20	10, 20, 30... pcs	<b>E07007AAE</b>
	30	Adapter	–	<b>E07009AA</b>
	40	Adapter	–	<b>E07012AAE</b>

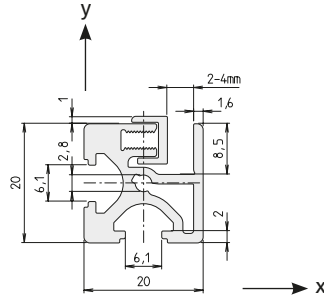
## Functional profiles

# Special profiles M-BLOCAN®/ size 20

### Order instruction:

- Purchase only in lot sizes and a multiple of that see product table below

### Clamping profile KL 20x20

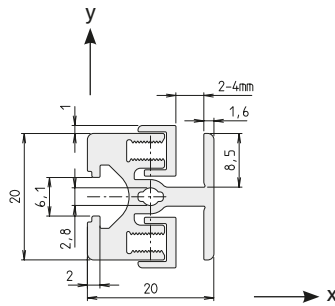


Area	182.90 mm <sup>2</sup>
$I_x$	0.70 cm <sup>4</sup>
$I_y$	0.74 cm <sup>4</sup>
$W_x$	0.79 cm <sup>3</sup>
$W_y$	0.80 cm <sup>3</sup>
Weight	493 g/m

Code No. Profile KL 20x20			Anodised
E04000BBB	Cut to size	max. 3000 mm	Clear
E04000BBD	Bar	3000 mm	Clear

Code No. Corner joint	Type	lot sizes
E04036BHE	KL 20x20	-

### Clamping profile KLD 20x20

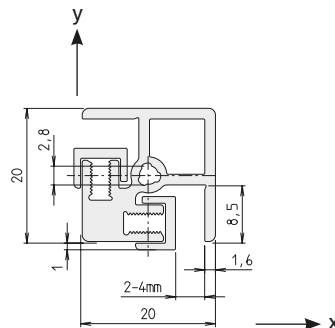


Area	185.50 mm <sup>2</sup>
$I_x$	0.69 cm <sup>4</sup>
$I_y$	0.71 cm <sup>4</sup>
$W_x$	0.69 cm <sup>3</sup>
$W_y$	0.79 cm <sup>3</sup>
Weight	500 g/m

Code No. Profile KLD 20x20			Anodised
E05000BBB	Cut to size	max. 3000 mm	Clear
E05000BBD	Bar	3000 mm	Clear

Code No. Corner joint	Type	lot sizes
E00041BHE	KLK 20x20	-

### Clamping profile KLE 20x20



Area	170.90 mm <sup>2</sup>
$I_x$	0.67 cm <sup>4</sup>
$I_y$	0.67 cm <sup>4</sup>
$W_x$	0.64 cm <sup>3</sup>
$W_y$	0.71 cm <sup>3</sup>
Weight	462 g/m

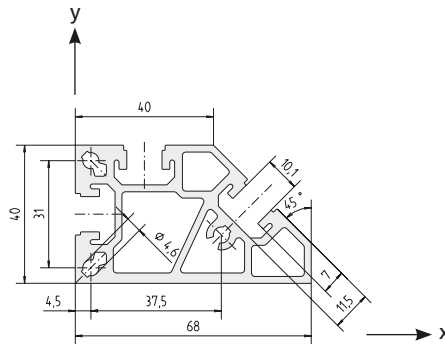
Code No. Profile KLE 20x20			Anodised
E09000BBB	Cut to size	max. 3000 mm	Clear
E09000BBD	Bar	3000 mm	Clear

Code No. Corner joint	Type	lot sizes
E09035BHE	KLE 20x20	-



# Special profiles / size 40

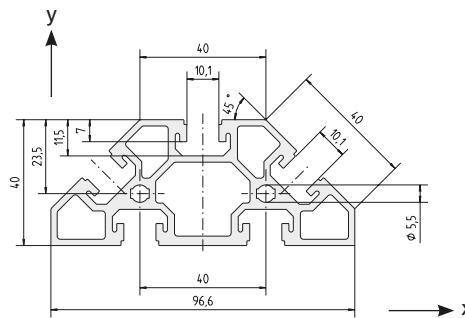
## 2x40



Area	838	mm <sup>2</sup>
I <sub>x</sub>	14.2	cm <sup>4</sup>
I <sub>y</sub>	32.8	cm <sup>4</sup>
W <sub>x</sub>	7.9	cm <sup>3</sup>
W <sub>y</sub>	11.3	cm <sup>3</sup>
Weight	2262	g/m

Code No. Profile 2x40			Anodised
4155000	Cut to size	max. 6000 mm	Clear
4155001	Bar	6000 mm	Clear

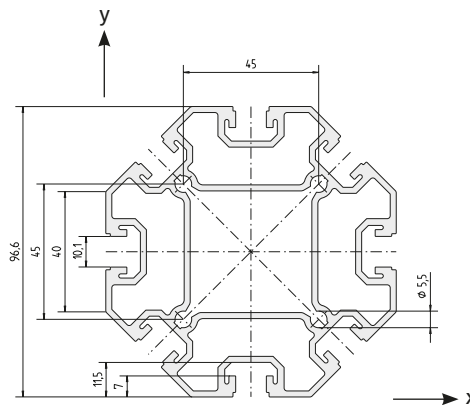
## 3x40



Area	1019	mm <sup>2</sup>
I <sub>x</sub>	14.8	cm <sup>4</sup>
I <sub>y</sub>	68.2	cm <sup>4</sup>
W <sub>x</sub>	8.8	cm <sup>3</sup>
W <sub>y</sub>	14.1	cm <sup>3</sup>
Weight	2751	g/m

Code No. Profile 3x40			Anodised
4255000	Cut to size	max. 6000 mm	Clear
4255001	Bar	6000 mm	Clear

## 8x40



Area	1700	mm <sup>2</sup>
I <sub>x</sub>	133.4	cm <sup>4</sup>
I <sub>y</sub>	133.4	cm <sup>4</sup>
W <sub>x</sub>	27.6	cm <sup>3</sup>
W <sub>y</sub>	27.6	cm <sup>3</sup>
Weight	4590	g/m

Code No. Profile 8x40			Anodised
4055000	Cut to size	max. 6000 mm	Clear
4055001	Bar	6000 mm	Clear

Functional profiles

# Right-angle connections

## Versions



Flange bracket connection



Slot stone -L/E-II



Hidden screw set -B-



Compatibility connector



Bracing plate



Connecting plate



Profile angle bracket



Angle bracket -cast-



Angle bracket -sheet steel-



Corner clamp WV



Corner joint



# Table of contents

## Connection techniques

### Right-angle connections

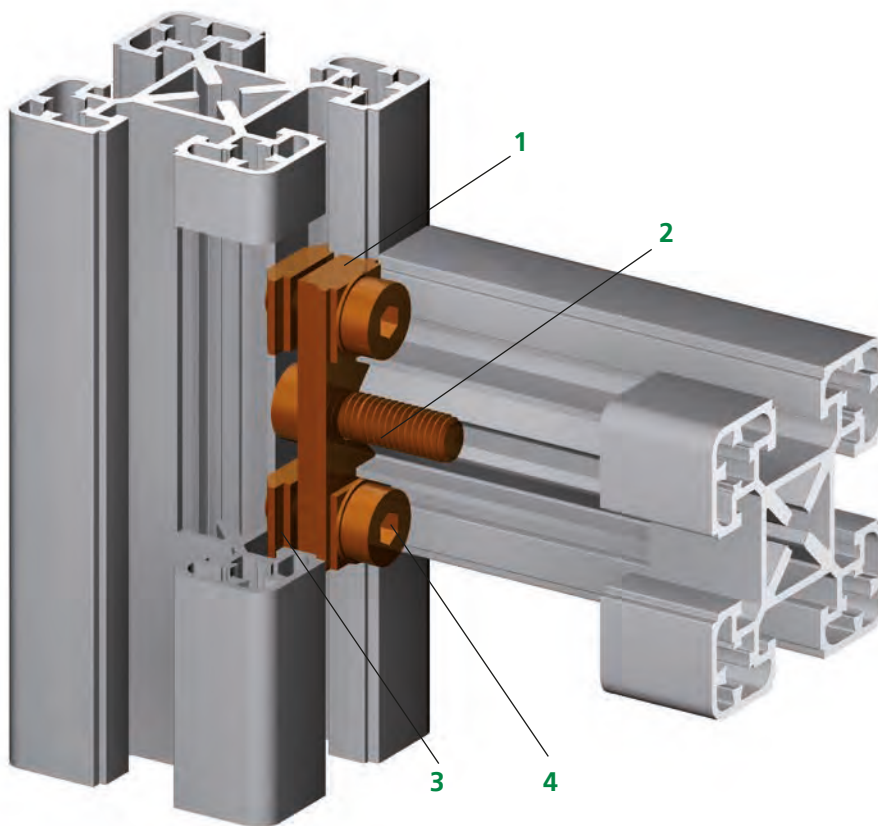
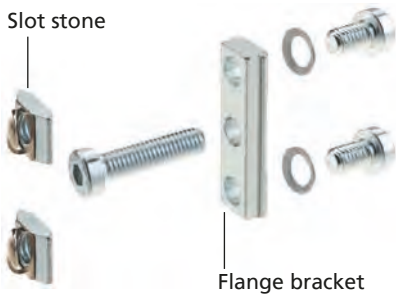
- Flange bracket connection ..... p. 220
- Flange brackets ..... p. 222
- Slot stone -L/E- ..... p. 224
- Hidden screw set -B- ..... p. 224
- Compatibility connector ..... p. 225
- Bracing plate ..... p. 226
- Connecting plate..... p. 228
- Profile angle bracket..... p. 229
- Angle brackets -cast-..... p. 231
- Angle brackets -sheet steel- ..... p. 234
- Corner clamp WV ..... p. 235
- Corner joint ..... p. 236

## Functional profiles

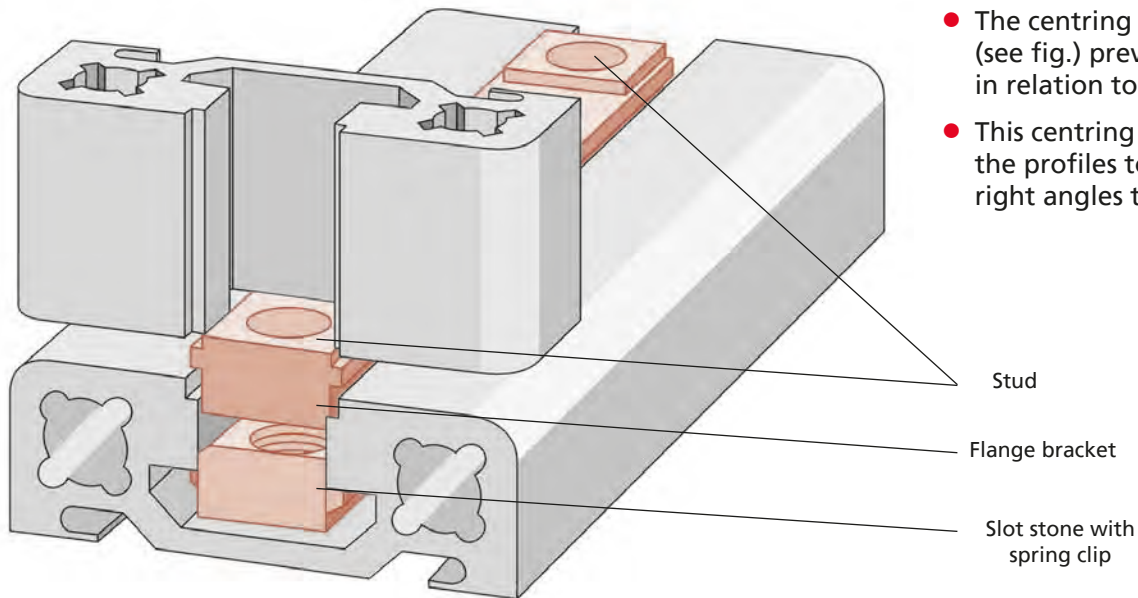
# Right-angle connections

### Flange bracket connection

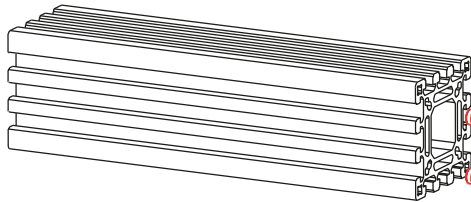
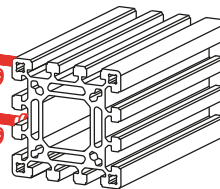
- The flange bracket is the simplest and most cost-efficient method of connecting profiles.
- No additional machining necessary
- Direct fixing in the profile screw channels
- Direct insertion of RK expansion screws or standard DIN socket head cap screws
- Very stable
- Only a list of profile cut lengths is required
- Minimal effort required in construction
- Can be disconnected at any time



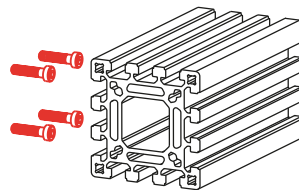
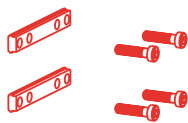
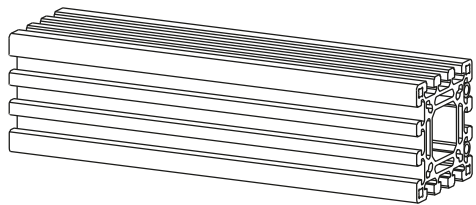
1. Flange bracket
2. Socket head cap screw/RK expansion screw
3. Slot stone with spring clip
4. Socket head cap screw

**Position diagram**


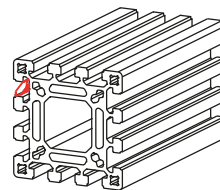
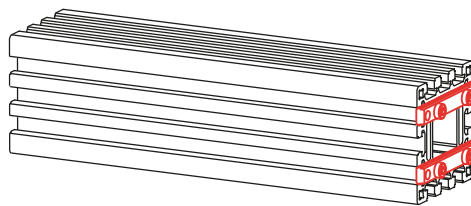
- The centring action of the studs (see fig.) prevent profile torsion in relation to one another
- This centring effect also allows the profiles to be assembled at right angles to each other.

**Profile 1**

**Profile 2**


**Step 1**  
 Insert flange bracket (studs engage in profile slots) into profile 1 and fix with hexagon socket screws  
 Self-centred by studs  
 Cutting oil and using a drill make it easier to insert the screws.



**Step 2**  
 Slide/insert the slot stones with spring clip into profile 2 and slide them into the correct position.



**Step 3**  
 Put the two profiles together and connect the flange bracket to the slot stones with spring clip.

## Functional profiles

# Right-angle connections

### Order instruction: flange bracket

- Purchase only in lot sizes and a multiple of that see product table below
- Each Code No. includes one flange bracket and fastenings.

Material: zinc plated

### Flange brackets

- For static loads
- Depending on the orientation of the connection (longitudinal or transverse), the appropriate number of flange brackets must be ordered.

Image:

Material: zinc plated



Code No.	Type	lot sizes	To slot geom.	For profile (quantity required per connection)
4386704	15	-	30	15x40 (2), 15x60 (2), 15x80 (2), 15x120 (2), 15x160 (2)
4386705	15	-	40	15x40 (2), 15x60 (2), 15x80 (2), 15x120 (2), 15x160 (2)
4566700	40 (K)	10, 20, 30... pcs	30	F-G 40x40 (1x), F-GG 40x40 (1x), F-3G 40x40 (1x)
4566701	40 (K)	10, 20, 30... pcs	40	F-G 40x40 (1x), F-GG 40x40 (1x), F-3G 40x40 (1x)
4546700	40 (N)	-	40	F-G 40x40 (1x), F-G 40x80 (1x), F-GG 40x40 (1x), F-3G 40x40 (1x), F-GG 40x80 (2x)
4A66700	50 (N)	-	40	F-G 50x50 (1x), F-GG 50x50 (1x), F-3G 50x50 (1x)
4A26700	60 (N)	-	40	F-G 60x60 (1x), F-2G 60x60 (1x), F-3G 60x60 (1x)
4586702	80 (EL)	-	40	F-GG 40x80 (1x), F-G 80x80 (2x), F-GG 80x80 (2x), F-3G 80x120-A (2x)
4586703	80 (N)	-	40	F-G 80x80 (2x), F-GG 80x80 (2x)
4966700	120 (A)	-	40	F-3G 80x120-A (2x)

Flange bracket "extra long" (EL) for larger profile cross-sections

Image:

Material: zinc plated

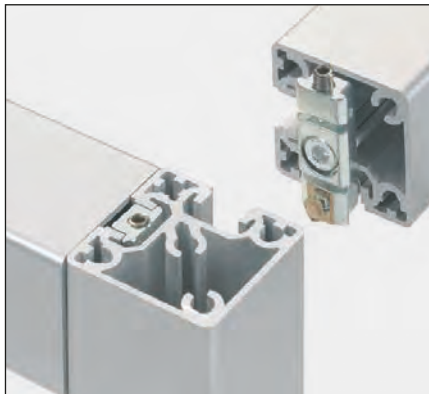


Code No.	Type	lot sizes	To slot geom.	For profile (quantity required per connection)
4306709	30	10, 20, 30... pcs	30	F-G 30x30 (1x), F-2G 30x30 (1x)
4306710	30	10, 20, 30... pcs	40	F-G 30x30 (1x), F-2G 30x30 (1x)
4106702	30 (K)	10, 20, 30... pcs	30	F-G 30x30 (1x) F-GG 30x30 (1x), F-3G 30x30 (1x), F-R 30 (1x)
4106703	30 (K)	10, 20, 30... pcs	40	F-G 30x30 (1x), F-GG 30x30 (1x), F-3G 30x30 (1x)
4816703	40	10, 20, 30... pcs	30	F-G 40x40 (1x), F-2G 40x40 (1x)
4086706	50	10, 20, 30... pcs	30	F-G 50x50 (1x), F-2G 50x50 (1x),
4086702	50	10, 20, 30... pcs	40	F-G 50x50 (1x), F-2G 50x50 (1x),
4226706	60	10, 20, 30... pcs	30	F-G 60x60 (1x), F-2G 60x60 (1x)
4226702	60	10, 20, 30... pcs	40	F-G 60x60 (1x), F-2G 60x60 (1x)
4316706	80	10, 20, 30... pcs	30	F-GG 40x80 (1x), F-G 40x80 (1x), F-G 80x80, F-2G 80x80 (2x)

Flange slot stone -N- (N)

Image:

Material: zinc plated







### Flange brackets

Image:

Material: stainless steel



Material: stainless steel

Code No.	Type	lot sizes	To slot geom.	For profile (quantity required per connection)
4819702	40	-	40	F-40x40 (1x), F-40x40-L (1x), F-40x80 (2x), F-40x80-L (2x), F-40x80/3 (2x), F-40x120 (3x), F-40x160 (4x)
4249702	80	-	40	F-30x80 (1x), F-40x80 (1x), F-40x80-L (1x), F-40x80/3 (1x), F-80x80 (2x), F-80x80/2 (2x), F-80x80/2-L (2x), F-80x80-L (1x), F-80x120 (3x), F-80x160 (4x), F-80x160-L (4x)

Required number of flange brackets to fully assemble two profiles.

- With equipotential bonding

Image:

Material: zinc plated



- The -PA- slot stones have an equipotential bonding effect by destroying the anodised layer.

Material: zinc plated

Code No.	Type	lot sizes	To slot geom.	For profile (quantity required per connection)
4306c09	30	10, 20, 30... pcs	30	F-G 30x30 (1x), F-2G 30x30 (1x)
4816c02	40	10, 20, 30... pcs	40	F-G 40x40 (1x), F-2G 40x40 (1x)
4086c02	50	10, 20, 30... pcs	40	F-G 50x50 (1x), F-2G 50x50 (1x)
4226c02	60	10, 20, 30... pcs	40	F-G 60x60 (1x), F-2G 60x60 (1x)
4246c02	80	10, 20, 30... pcs	40	F-G 40x80 (1x), F-G 80x80, F-2G 80x80 (2x)

- For low dynamic loads (For RK expansion screw, please see page 263)

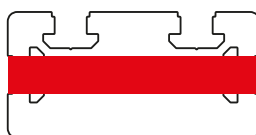
Image:

Material: zinc plated

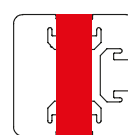


Code No.	Type	lot sizes	To slot geom.	For profile (quantity required per connection)
4246700	80	10, 20, 30... pcs	40	F-G 80x80 (2x)

Required number of flange brackets to fully assemble two profiles.



F-G 40x80 profile Connection -long- (to 40 slot geometry) 1x Code No. 4246c02



F-G 40x40 profile Connection -transverse- (to 40 slot geometry) 1x Code No. 4816c02

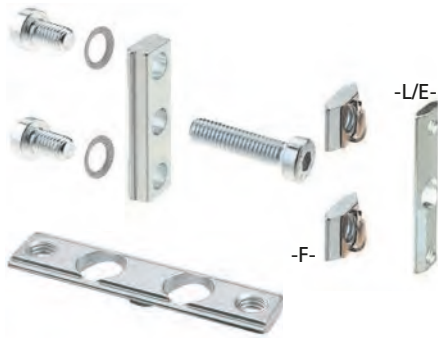
**Functional profiles**

# Right-angle connections

**Order instruction:**

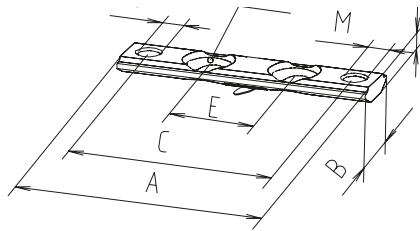
- Purchase only in lot sizes and a multiple of that see product table below

**Slot stone -L/E- II**  
(with hole)

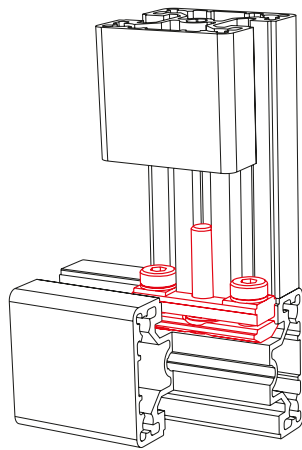


- The greater supporting surface reduces the surface pressure
- In the flange bracket sets, the standard -F- slot stones can be replaced by -L/LE- slot stones with hole.

**Material:** Galvanised steel



Only have one hole:  
Slot stones -L- II types M5 / 29, M6 / 38  
Slot stone -E- II type M6 / 38

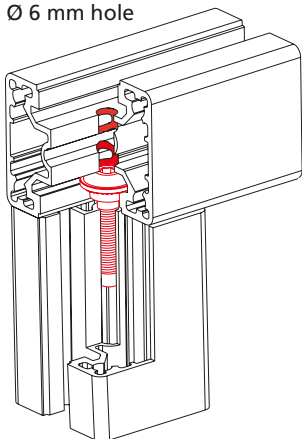


Code No.	Type	lot sizes	Slot geom.	A	B	C	D	E	F	M
<b>Slot stone -L- II</b>										
4006207	M5 / 29	10, 20, 30... pcs	30	29	12	21.5	4	0	8.5	M5
4016206	M6 / 38	10, 20, 30... pcs	40	38	14	28	4	0	10.2	M6
4016207	M6 / 48	10, 20, 30... pcs	40	48	14	38	4	15.5	10.2	M6
4016208	M6 / 58	10, 20, 30... pcs	40	58	14	48	4	20	10.2	M6
4046206	M6 / 78	10, 20, 30... pcs	40	78	14	68	4	40	10.2	M6
<b>Slot stone -E- II (slide-in)</b>										
4006224	M6 / 38	10, 20, 30... pcs	40	38	16.5	28	3.8	0	10.2	M6
4006239	M6 / 58	10, 20, 30... pcs	40	58	16.5	48	3.8	15.5	10.2	M6
4006240	M6 / 78	10, 20, 30... pcs	40	78	16.5	68	3.8	40	10.2	M6

**Hidden screw set -B- (shoulder screw)**



Ø 6 mm hole

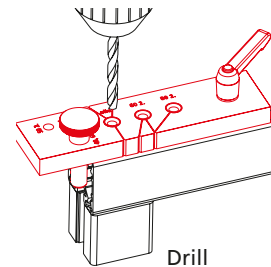


- Cost-effective connection technique for profiles with 30 and 40 slot geometry.
- Self-tapping – Threading not required

**Material:** Galvanised steel

**Assembly:**

1. Drill a 6 mm hole (e.g. with RK drilling fixture) at the required position in the crossing profile.
2. Insert the hidden screw into the profile slot as far as the hole.
3. Insert T-handle key through the hole and into the shoulder screw and screw the two profiles to one another.



Code No.	Type	lot sizes	Type
4576510	F-30x30	10, 20, 30... pcs	Hidden screw -B- M5x25
4816510	F-40x40		Hidden screw -B- M6x30
4016516	-	-	Drilling fixture for hidden scrwe -B-

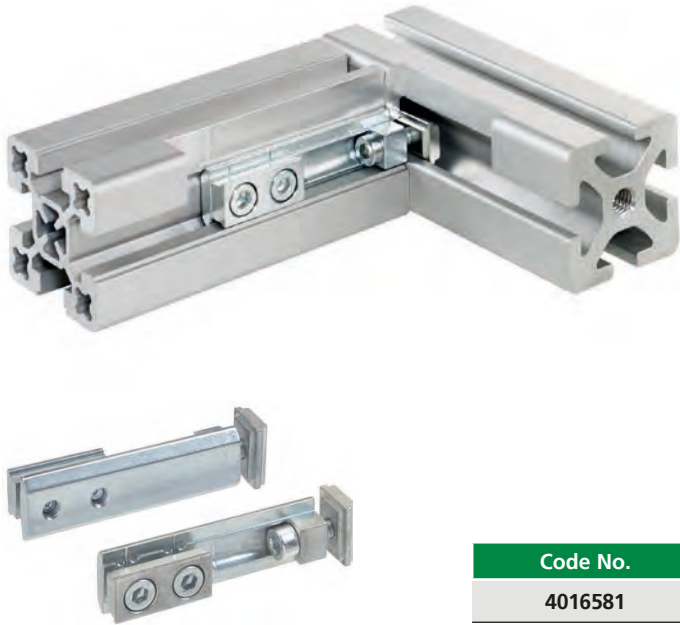


### Compatibility connector 40

- The compatibility connector allows BLOCAN® profiles to be connected to aluminium profiles of other manufacturers.

**Material:** Galvanised steel

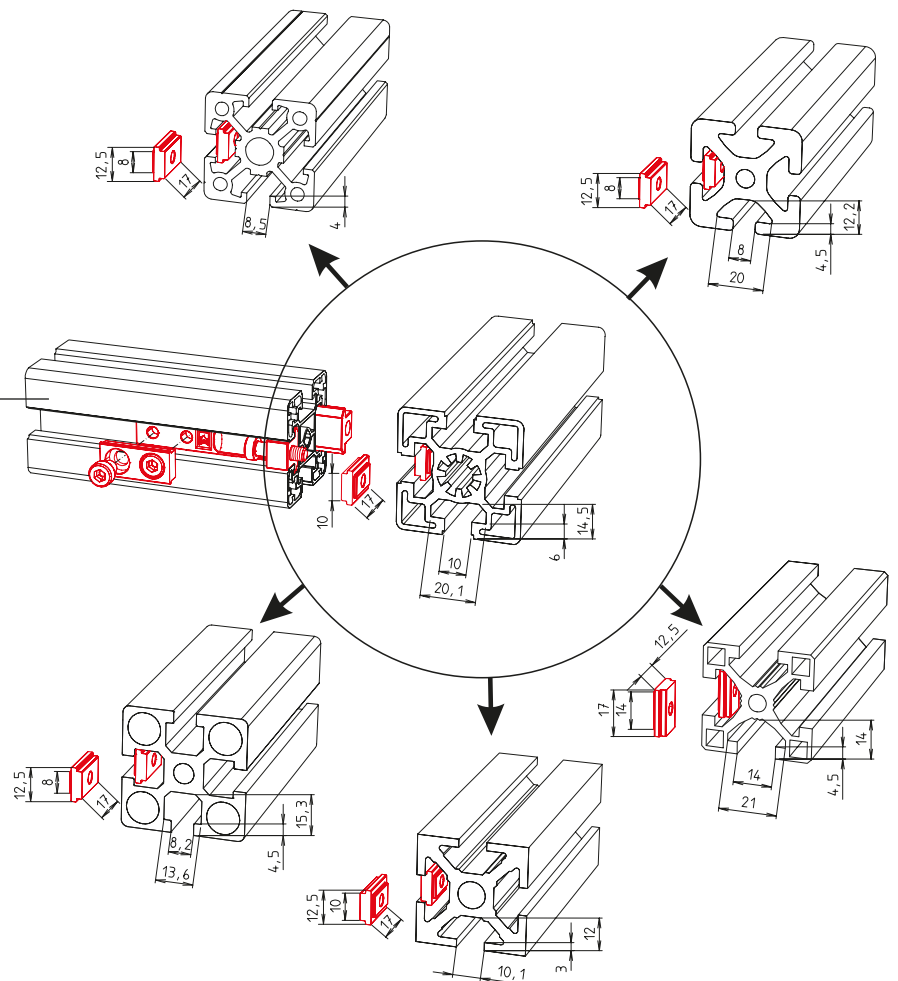
**Includes:**  
2 connectors with fastenings



Code No.	Type	Suitable for slot widths
4016581	Compatibility connector 40	8, 10, 14 mm

### Position diagram

RK profile, 40 slot geometry



## Functional profiles

# Right-angle connections

### Bracing plates

#### Features:

- Superficial bracing of the three most important junctions L, T, X
- Panels and wire mesh do not need to be notched, as is usually the case with angle brackets.

#### Material:

black powder-coated steel or grey powder-coated steel

#### Fixing material

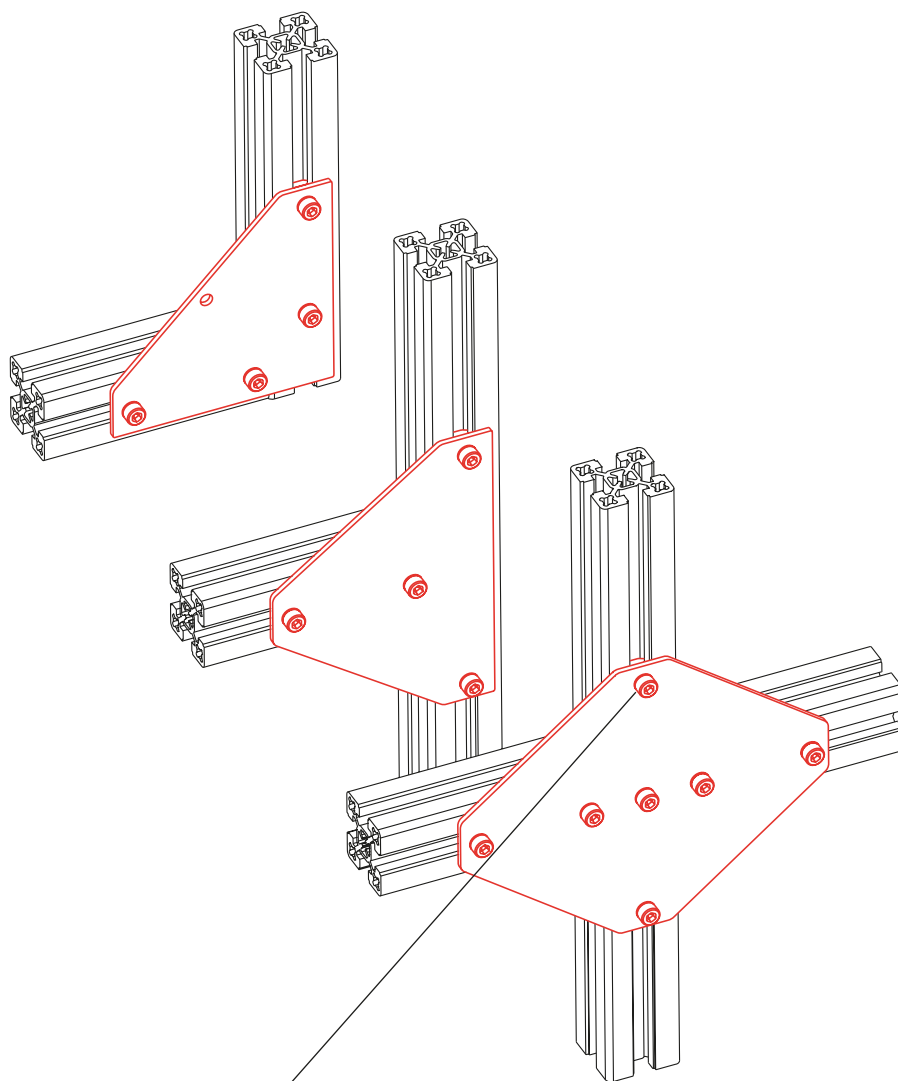
galvanised fastenings

**Includes:** Bracing plate complete with fixing sets

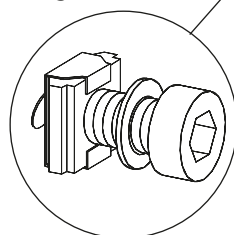
grey RAL 9006

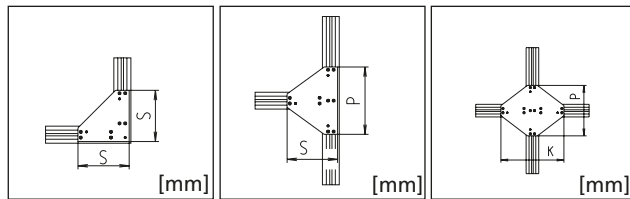


black RAL 9005



Fixing set





Code No.	Type	Wall thickness	Type L	Type T	Type X	colour
4002113	30x30	3 mm	S = 90			grey
4002183	30x30	3 mm		S = 90 / P = 120		grey
4002111	30x30	3 mm	S = 90			black
4002181	30x30	3 mm		S = 90 / P = 120		black
4002191	30x30	3 mm			P = 120 / K = 150	black
4012113	40x40	3 mm	S = 120			grey
4012183	40x40, 40x40-L	3 mm		S = 120 / P = 160		grey
4012111	40x40, 40x40-L	3 mm	S = 120			black
4012181	40x40, 40x40-L	3 mm		S = 120 / P = 160		black
4012191	40x40, 40x40-L	3 mm			P = 160 / K = 200	black
4082113	F-50x50, F-50x50-L	4 mm	S = 150			grey
4082183	F-50x50, F-50x50-L	4 mm		S = 150 / P = 200		grey
4082111	F-50x50, F-50x50-L	4 mm	S = 150			black
4082181	F-50x50, F-50x50-L	4 mm		S = 150 / P = 200		black
4082191	F-50x50, F-50x50-L	4 mm			P = 200 / K = 250	black
4122113	F-60x60	4 mm	S = 180			grey
4122183	F-60x60	4 mm		S = 180 / P = 240		grey
4122111	F-60x60	4 mm	S = 180			black
4122181	F-60x60	4 mm		S = 180 / P = 240		black
4122191	F-60x60	4 mm			P = 240 / K = 300	black
4222113	F-60x60-L, F-60x60/1	4 mm	S = 180			grey
4222183	F-60x60-L, F-60x60/1	4 mm		S = 180 / P = 240		grey
4222111	F-60x60-L, F-60x60/1	4 mm	S = 180			black
4222181	F-60x60-L, F-60x60/1	4 mm		S = 180 / P = 240		black
4222191	F-60x60-L, F-60x60/1	4 mm			P = 240 / K = 300	black
4242113	F-80x80-L	4 mm	S = 240			grey
4242183	F-80x80-L	4 mm		S = 240 / P = 320		grey
4242111	F-80x80-L	4 mm	S = 240			black
4242181	F-80x80-L	4 mm		S = 240 / P = 320		black
4242191	F-80x80-L	4 mm			P = 320 / K = 400	black
4042113	80x80, F-80x80/2-L, F-80x80/2	4 mm	S = 240			grey
4042183	80x80, F-80x80/2-L, F-80x80/2	4 mm		S = 240 / P = 320		grey
4042111	80x80, F-80x80/2-L, F-80x80/2	4 mm	S = 240			black
4042181	80x80, F-80x80/2-L, F-80x80/2	4 mm		S = 240 / P = 320		black
4042191	80x80, F-80x80/2-L, F-80x80/2	4 mm			P = 320 / K = 400	black

Bracing plates 60x120 and 80x160 (black) Typ L, T, X on request.  
 Bracing plates Type L, T, X aluminium on request.

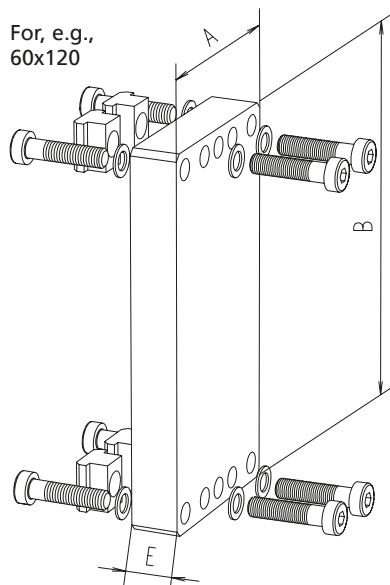
## Functional profiles

# Right-angle connections

## Connecting plate

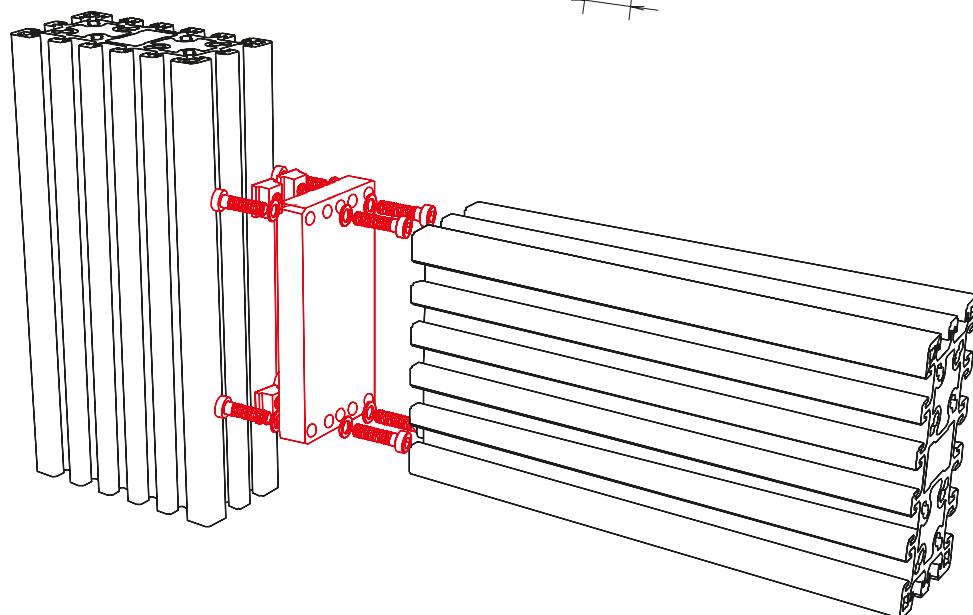


Slot stone -N-



- The connecting plates allow profiles to be fixed in the profile slots at the sides.

**Material:** Aluminium,  
galvanised steel fastenings  
**Includes:** Connecting plate  
complete with accessories



Code No.	Type	A	B	E
<b>Connecting plate connection – face-to-slot</b>				
4645411	F-40x120	40	120	15
4655411	F-40x160	40	160	15
4085412	F-50x50, F-50x50-L, F-G/2G 50x50	50	50	15
4665411	F-50x100	50	100	15
4675411	F-50x200	50	200	15
4225412	F-60x60-L, F-60x60/1, F-G/2G 60x60	60	60	15
4125412	F-60x60	60	60	15
4065411	F-60x120	60	120	15
4035412	F-40x80, F-40x80/3	40	80	15
4045412	F-80x80, F-G/2G 80x80	80	80	15
4245412	F-80x80-L	80	80	15
4685411	F-80x120	80	120	15
4075411	F-80x160	80	160	15
4695411	F-100x100	100	100	15



### Profile angle bracket Bar material

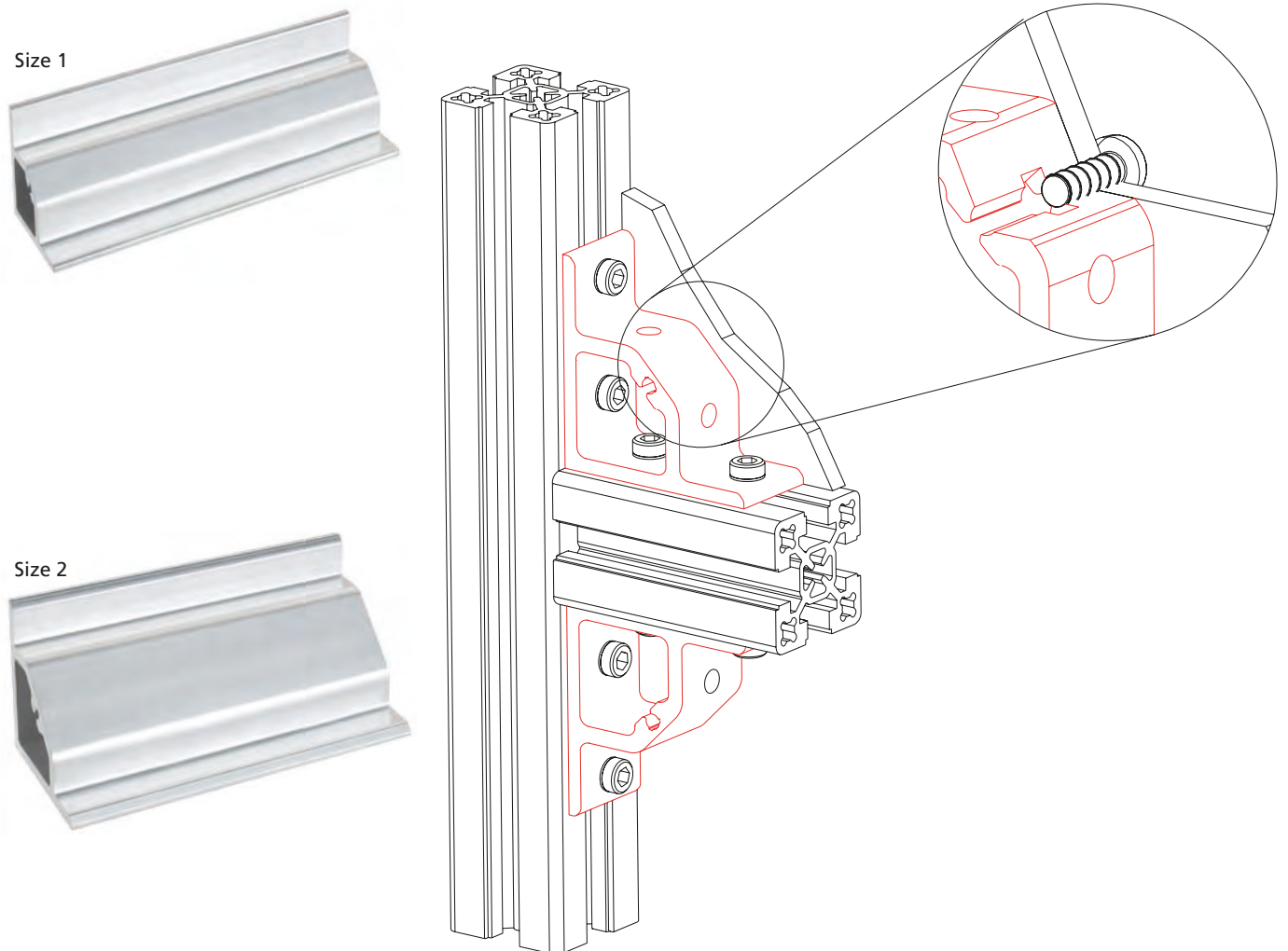
- Made from aluminium extruded profiles.
- With integrated screw channel for fastening panels.

**Material:** Aluminium.  
Non-anodised bar  
Angle tolerance  $90^{\circ} \pm 5'$ .

**Fixing sets:**  
The angle brackets can be screwed to the profile with the fixing sets.

Further slot stone versions can be found on page 254

**Includes:**  
1 screw with washer and slot stone.



For dimension table, please see opposite page

Code No.				
4010102	Size 1	Cut to required length	max. 3000 mm	Non-anodised
4010103		Bar	3000 mm	Non-anodised
4030102	Size 2	Cut to required length	max. 3000 mm	Non-anodised
4030103		Bar	3000 mm	Non-anodised

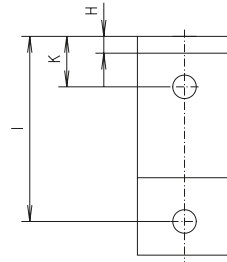
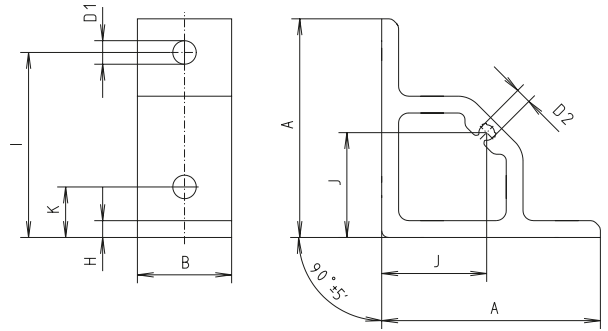
Functional profiles

# Right-angle connections

**Order instruction:**

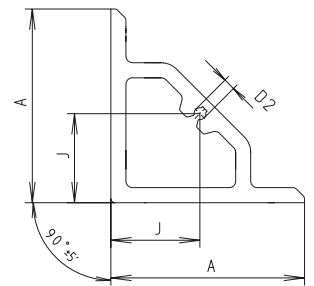
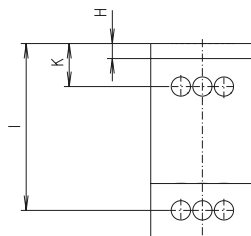
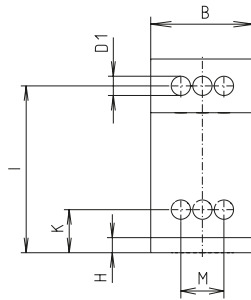
- Purchase only in lot sizes and a multiple of that see product table below

## Profile angle bracket, size 1



## Profile angle bracket, size 2

Figure shows type 40



[mm]

Code No.	Type	Version	A	B	D1	D2	H	I	J	K	M
4015101	40	Size 1	64.15	28	7	4.65	4.15	55	30.3	20	-
4085101	50	Size 1	64.15	38	7	4.65	4.15	55	30.3	15	-
4035101	40	Size 2	89.3	28	9	5.55	6.3	77.5	40.65	20	-
4125101	60	Size 2	89.3	48	9	5.55	6.3	77.5	40.65	20	20
4145101	80	Size 2	89.3	68	9	5.55	6.3	77.5	40.65	20	40

Code No.	Size	Version	lot sizes
Fixing sets (1 slot stone with screw, washer)			
4015105	1	M6x16, slot stone -N-	10, 20, 30... pcs
4035110	2	M8x18, slot stone -N-	10, 20, 30... pcs
4015106	1	M6x16, slot stone -K-	10, 20, 30... pcs
4035111	2	M8x18, slot stone -K-	10, 20, 30... pcs
4015107	1	M6x16, slot stone -R-	10, 20, 30... pcs
4035112	2	M8x18, slot stone -R-	10, 20, 30... pcs



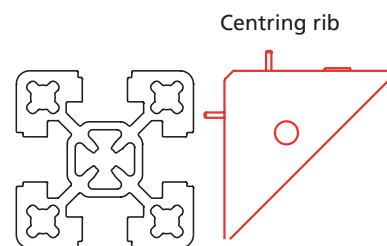


### Angle bracket -cast-

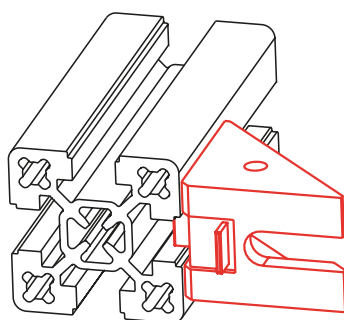
**Material:** Gravity die-cast aluminium



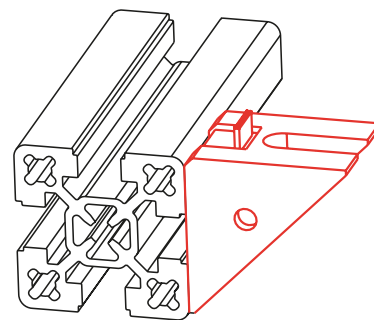
- A centring rib simplifies assembly and prevents angle bracket torsion. If necessary, this rib can be bent with a pliers.



**Material:** Die-cast zinc



**Angle bracket along the profile**  
Angle bracket is centred in the profile slot and prevents torsion.

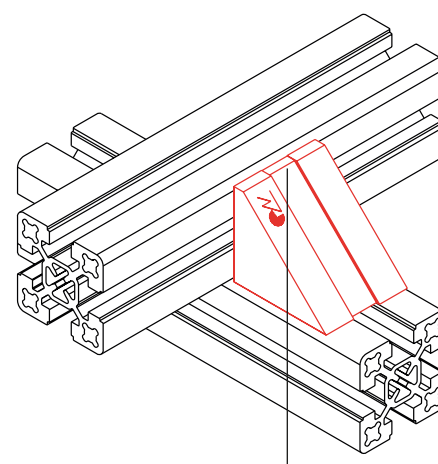
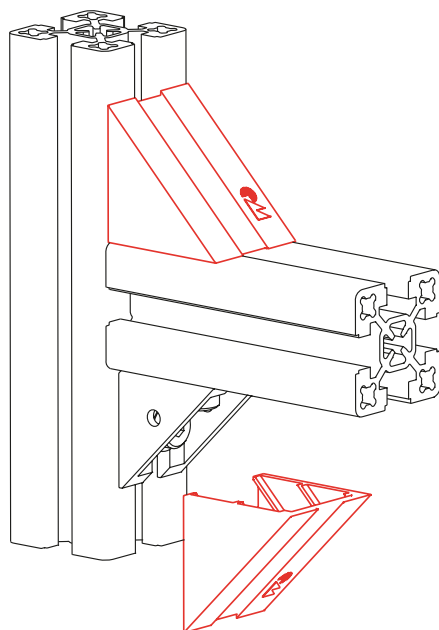


**Angle bracket perpendicular to the profile**  
Centring rib must be bent

### Plastic cover for angle brackets

- For aesthetic effect or to protect against soiling, plastic covers may be placed on the angle brackets.

**Material:** Black plastic



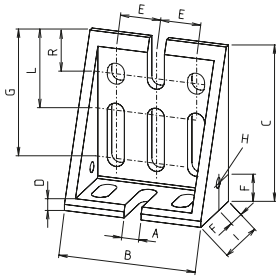
One side with chamfer for crossing connection with one angle bracket 40x40-2

Code No.	Type	lot sizes
4008101	For angle bracket 30x30 (2 braces)	10, 20, 30... pcs
4018102	For angle bracket 40x40 (2 braces)	10, 20, 30... pcs
4018103	For angle bracket 40x40 (2 braces) with chamfer for crossing connection	10, 20, 30... pcs
4028101	For angle bracket 50/60	10, 20, 30... pcs

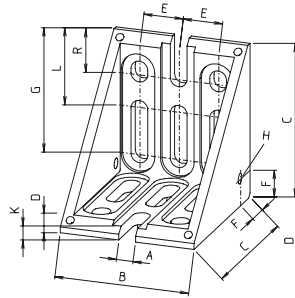
Functional profiles

# Right-angle connections

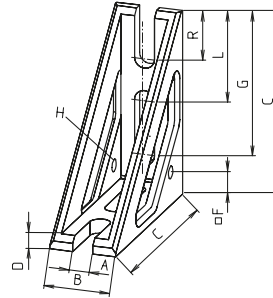
## Cast angle bracket



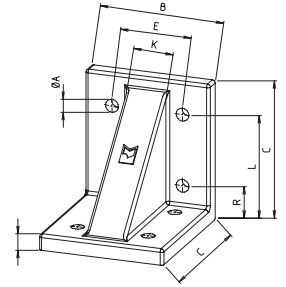
Angle bracket 80x40x80  
Gravity die-cast aluminium



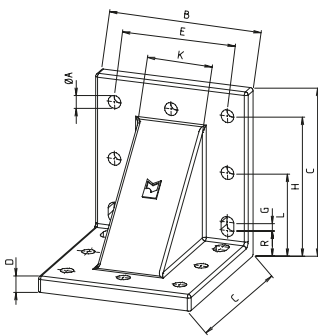
Angle bracket 80  
Die-cast zinc



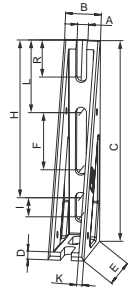
Angle bracket 40x80  
Gravity die-cast aluminium



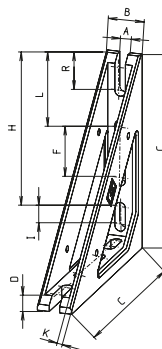
Angle bracket 100  
Gravity die-cast aluminium



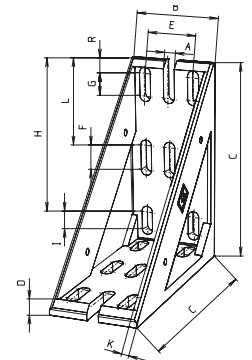
Angle brackets 120 + 160  
Gravity die-cast aluminium



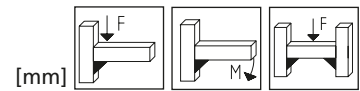
Angle bracket 40x80x160  
Gravity die-cast aluminium



Angle bracket 40x160  
Gravity die-cast aluminium



Angle bracket 80x160  
Gravity die-cast aluminium

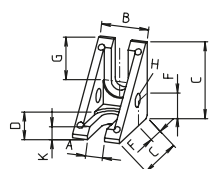


Code No.	Type	Version	A	B	C	D	E	F	G	H	I	O	L	R	F [N]	M [Nm]	F [N]
<b>Cast angle bracket</b>																	
4044102	80x40x80	2 braces	8.5	68	78	6	20	14	61	5.2	38	–	38	19	3000/4300	180/200	4000/14700
4044101	80	2 braces	8.5	68	78	8	20	14	61	5.2	–	6	38	20	9200	550	14700
4034100	40x80	2 braces	8.5	28	78	6	–	14	61	5.2	–	–	38	20	1300	180	4600
4695100	100	–	9	88	98	11	50	–	–	–	–	28	75	25	8800	700	13200
4165100	120	–	9	108	118	11	80	–	5	100	–	46	60	20	14500	1200	21750
4014100	40x80x160	2 braces	8.5	28	158	6	78	45	–	123	15	4	56	28	1600/2500	180	–
4654100	40x160	2 braces	8.5	28	158	11	–	45	–	123	15	4	56	28	2500	250	–
4444100	160	–	9	148	158	11	120	–	5	140	–	78	80	20	16800	1700	25200
4074100	80x160	2 braces	9	68	158	11	40	20	18	95	15	5.5	70	12	12800	1500	19200

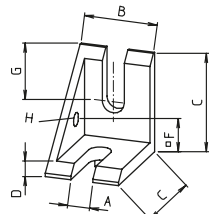


**Order instruction:**

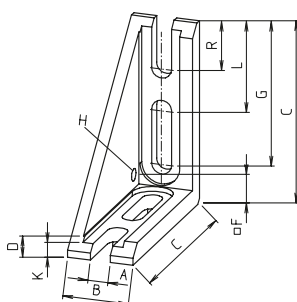
- Purchase only in lot sizes and a multiple of that see product table below



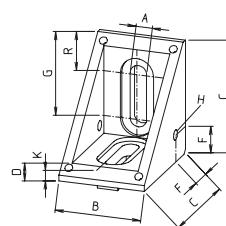
Angle brackets 30 + 40  
Die-cast zinc



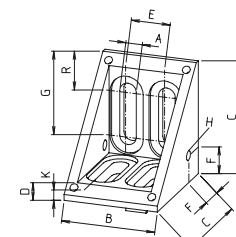
Angle bracket 40-1  
Die-cast zinc



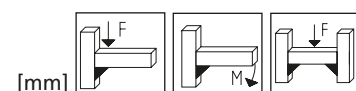
Angle bracket 40x80-1  
Die-cast zinc



Angle bracket 50/60  
Die-cast zinc



Angle bracket F-60x60  
Die-cast zinc



Code No.	Type	lot sizes	Version	A	B	C	D	E	F	G	H	I	O	L	R	F [N]	M [Nm]	F [N]
<b>Cast angle bracket</b>																		
4004101	30	10, 20, 30... pcs	2 braces	6.5	18	29	5	-	10	15	5.2	-	4	-	-	1100	20	2600
4014101	40-1	10, 20, 30... pcs	1 brace	8.4	28	38	5	-	14	19	5.2	-	-	-	-	2200	45	4000
4014102	40	10, 20, 30... pcs	2 braces	8.4	28	38	5	-	14	19	5.2	-	-	-	-	2200	60	4000
4034101	40x80-1	10, 20, 30... pcs	1 brace	8.5	28	78	8	-	14	61	5.2	-	6	38	20	3700	180	6500
4024101	50/60	10, 20, 30... pcs	2 braces	8.5	44	58	8	-	14	41	5.2	-	6	-	18	4500	280	8000
4124101	F-60x60	10, 20, 30... pcs	2 braces	8.5	48	58	8	20	14	40	5.2	-	6	-	17	4500	280	8000

**Fixing sets**

**Fixing sets:**

The angle brackets can be screwed to the profile with the fixing sets.

**Material:** Galvanised steel

Further slot stone versions can be found on page 254 - 262

**Includes:**

1 screw with washer and slot stone.



Fixing set with slot stone -N-  
(Slot stone is slid into the slot from the side)



Fixing set with slot stone -K-  
(Slot stone can be inserted edge-first into the slot retrospectively)



Fixing set with slot stone -R-  
(Slot stone can be inserted into the slot retrospectively and twisted into position)

Code No.	Type	lot sizes	Version
<b>Fixing sets</b>			
4004110	30	10, 20, 30... pcs	M6x12, slot stone -N-
4026208	40	10, 20, 30... pcs	M8x16, slot stone -N-
4026202	50-80 + 40x80x160	10, 20, 30... pcs	M8x18, slot stone -N-
4694110	100-160 (except 40x80x160)	10, 20, 30... pcs	M8x22, slot stone -N-
4004111	30	10, 20, 30... pcs	M6x12, slot stone -K-
4014111	40	10, 20, 30... pcs	M8x16, slot stone -K-
4024111	50-80 + 40x80x160	10, 20, 30... pcs	M8x18, slot stone -K-
4694111	100-160 (except 40x80x160)	10, 20, 30... pcs	M8x22, slot stone -K-
4004112	30	10, 20, 30... pcs	M6x12, slot stone -R-
4026209	40	10, 20, 30... pcs	M8x16, slot stone -R-
4026210	50-80 + 40x80x160	10, 20, 30... pcs	M8x18, slot stone -R-
4694112	100-160 (except 40x80x160)	10, 20, 30... pcs	M8x22, slot stone -R-

## Functional profiles

# Right-angle connections

### Angle bracket -sheet steel-

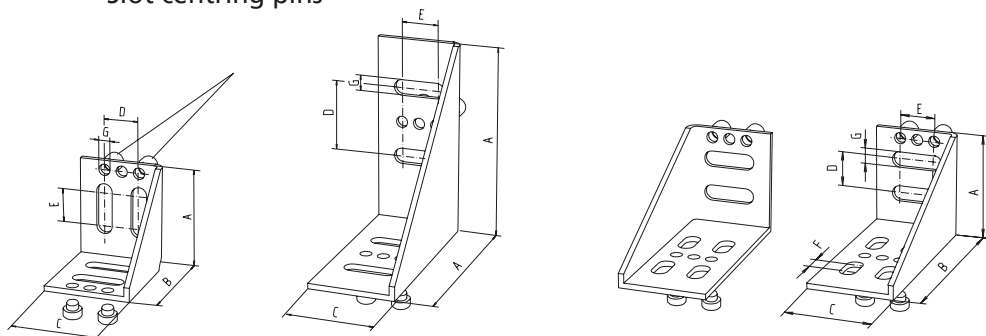


**Steel angle bracket:**  
St 37, 3 mm thick

**Material:**  
Black powder-coated steel

**Includes:**  
Complete with slot centring pins

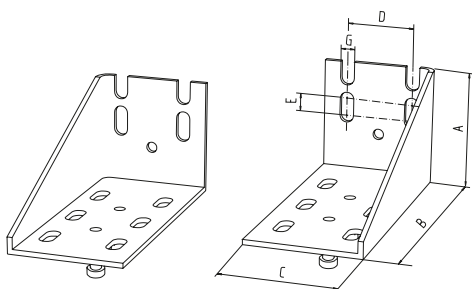
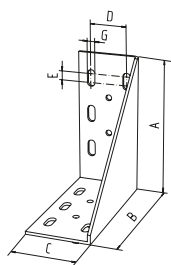
### Slot centring pins



Steel angle bracket 60

Steel angle bracket 60x120, 1 brace left or right

Steel angle bracket 60 / 60x120



Steel angle bracket 80 / 80x160

Steel angle bracket 80x160, 1 brace left or right

Code No.	Type	Version	A	B	C	D	E	F	G	H	R
[mm]											
Steel angle bracket -3 mm sheet steel-											
4120101	60	1 brace	58	58	48	20	20	-	9	-	-
4060101	60/60x120	1 brace	108	108	48	20	20	-	9	-	-
4060102	60x120	1 brace right	58	108	48	40	20	10	9	-	-
4060103	60x120	1 brace left	58	108	48	40	20	10	9	-	-
4070101	80/80x160	1 brace	148	148	68	40	10	-	9	-	-
4070102	80x160	1 brace right	68	148	68	40	10	-	9	-	-
4070103	80x160	1 brace left	68	148	68	40	10	-	9	-	-



**Order instruction:**

- Purchase only in lot sizes and a multiple of that see product table below

**Fixing sets**

**Fixing sets:**

The angle brackets can be screwed to the profile with the fixing sets.

Further slot stone versions can be found on page 254 - 262

**Material:** Galvanised steel

**Includes:** 1 screw with washer and slot stone.



Fixing set with slot stone -N- (slot stone is slid into the slot from the side)



Fixing set with slot stone -K- (slot stone can be inserted edge-first into the slot retrospectively)

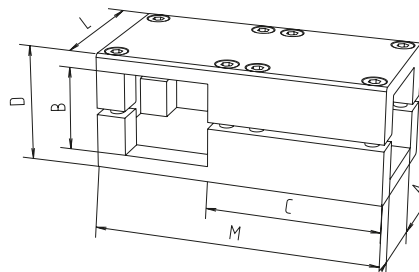
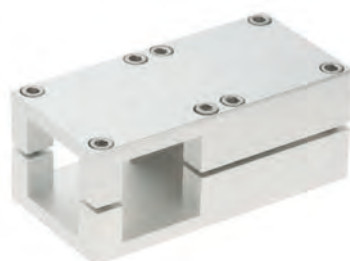


Fixing set with slot stone -R- (slot stone can be inserted into the slot retrospectively and twisted into position)

Code No.	Type	lot sizes	Version
<b>Fixing sets</b>			
4120110	all steel angle brackets	10, 20, 30... pcs	M8x14, slot stone -N-
4120111	all steel angle brackets	10, 20, 30... pcs	M8x14, slot stone -K-
4120112	all steel angle brackets	10, 20, 30... pcs	M8x14, slot stone -R-

**Corner clamp WV**

**Material:** Aluminium. Fixing VA. For further clamping elements, please refer to the catalogue "Connecting Technology"



Code No.	Type	Version	A	B	C	D	L	M
513000050300	WV 30	30.2	30.2	30.2	69	42	56	112
514000050300	WV 40	40.3	40.3	40.3	82	56	68	136
515000050300	WV 50	50.4	50.4	50.4	102	70	85	170
516000050300	WV 60	60.4	60.4	60.4	127	79	105	210

[mm]

## Functional profiles

# Right-angle connections

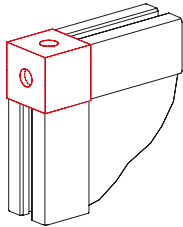
### Order instruction:

- Purchase only in lot sizes and a multiple of that see product table below

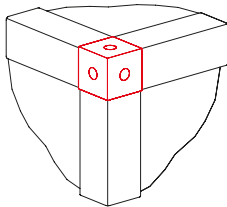
### Corner joint



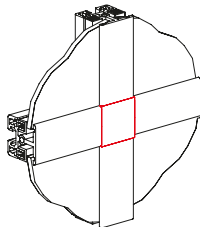
Version KL



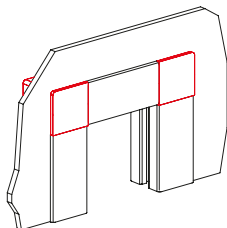
Version KLE



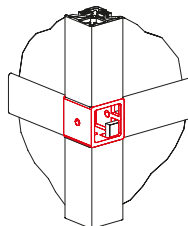
Version KLK



Version KLA



Version KLV



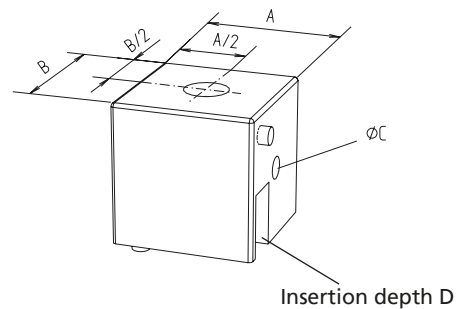
- Connection element for right-angle connections for clamping and inserting profiles
- The fixing screws are inserted directly into the profile. Centring pins prevent profile torsion
- With versions KL/KLE, the screw holes can optionally be sealed with a plastic cap

### Material:

Die-cast zinc, gravity die-cast aluminium (see table)

### Includes:

Includes all parts required to fully assemble one corner joint



[mm]

Code No.	Type	lot sizes	For profile	A	B	C	D
<b>Die-cast zinc</b>							
4202409	KLA 30	4, 8, 12...pcs	KL,ESP,ESP-2	30	30	5,4	13
4212409	KLA 40	4, 8, 12...pcs		40	40	6,4	18
<b>Gravity die-cast aluminium</b>							
4202408	KLK 30	4, 8, 12...pcs	KLD	30	30	5,4	13
4212408	KLK 40	4, 8, 12...pcs	KLD	40	40	6,4	18
4202407	KLV 30	4, 8, 12...pcs	KLE,KLD	30	30	5,4	13
4212407	KLV 40	4, 8, 12...pcs		40	40	6,4	18

Code No.	Type	lot sizes	For profile	A	B	C	D
<b>Die-cast zinc</b>							
4202406	KL 30	4, 8, 12...pcs	KL,ESP,ESP-2, F-/G/GG/2G/3G	30	30	5,4	20
4212406	KL 40	4, 8, 12...pcs		40	40	6,4	27
4702406	KLE 30	4, 8, 12...pcs	KLE,F-/G/GG, 2G/3G	30	30	5,4	13
4712406	KLE 40	4, 8, 12...pcs		40	40	6,4	18

<b>Stopper (black)</b>							
40185971	KL/KLE 30	100, 200, 300... pcs					
40185981	KL/KLE 40	100, 200, 300... pcs					

<b>Cap (black)</b>							
4000421	KL 30	10, 20, 30... pcs					
4010421	KL 40	10, 20, 30... pcs					



### Corner joint

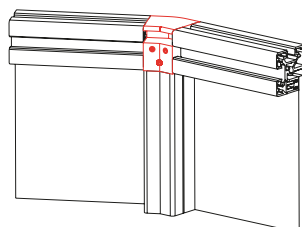
- Connection element for assembling profile angle brackets and clamping profiles W\*, KLW, KLE and KL
- The clamping bolts are inserted directly into the profile. Centring pins prevent torsion

**Material:**  
Die-cast zinc, black powder-coated aluminium (see table)

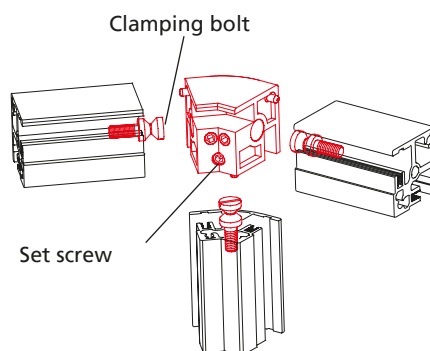
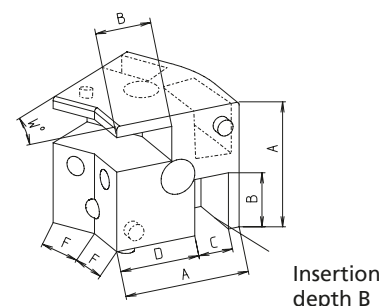
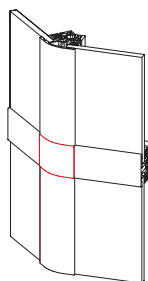
**Includes:**  
Includes all parts required to fully assemble one corner joint



Corner joint KLW



Corner joint KLWK



#### Assembly steps

1. Screw clamping bolt into profile
2. Put together with corner joint
3. Tighten set screw on corner joint – done!

\*When using W-profiles, the corners of panels may have to be notched. [mm]

Code No.	Type	For profile*	A	B	C	D	F	W
<b>Die-cast zinc</b>								
4412406	KLW 30-30	KLW 30-30, KL, KLE, ESP 30	30	13	8	19.5	11.0	30°
4422406	KLW 30-45	KLW 30-45, KL, KLE, ESP 30	30	13	8	19.5	8.8	45°
4622406	KLW 30-60	KLW 30-60, KL, KLE, ESP 30	30	13	8	19.5	8	60°
4432406	KLW 30-90	KLW 30-90, KL, KLE, ESP 30	30	13	8	19.5	10.0	90°
4472406	KLW 40-45	KLW 40-45, KL, KLE, ESP 40	40	18	11	25.5	11.7	45°
4632406	KLW 40-60	KLW 40-60, KL, KLE, ESP 40	40	18	11	25.5	11.5	60°
4482406	KLW 40-90	KLW 40-90, KL, KLE, ESP 40	40	18	11	25.5	15.0	90°
<b>Black powder-coated aluminium</b>								
4402406	KLW 30-15	KLW 30-15, KL, KLE, ESP 30	30	13	8	19.5	13.0	15°
4452406	KLW 40-15	KLW 40-15, KL, KLE, ESP 40	40	18	11	25.5	17.4	15°
4462406	KLW 40-30	KLW 40-30, KL, KLE, ESP 40	40	18	11	25.5	14.6	30°
4422407	KLWK 30-45	KLW 30-45, KLD 30	30	13	8	19.5	8.8	45°
4472407	KLWK 40-45	KLW 40-45, KLD 40	40	18	11	25.5	11.7	45°

Functional profiles

# Right-angle connections

## Corner joint with plastic cap

- Connection element for edge profiles meeting at right angles R, W, KLW\* and GG. The profiles are connected with the corner joint and screws
- To enhance the visual appeal of this point, it is sealed with a plastic cap
- Angle accuracy  $\pm 6'$

**Material:**

Die-cast zinc corner joint, plastic cap, galvanised fastenings

**Assembly instructions**

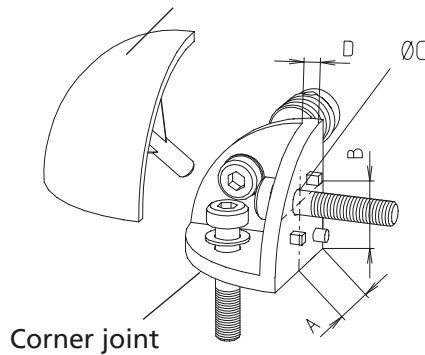
**R-30, W, GG-Profile:**

Corner joint and profiles are connected with screws. The centring shoulders make assembly and alignment of the profiles easier. If the shoulders are not desired, they can be bent with a pliers. Seal the corner joint with a removable plastic cap.

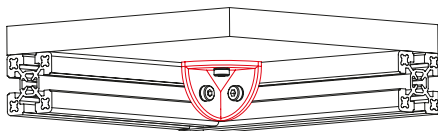
\*When using KLW-profiles, the corners of panels may have to be notched.



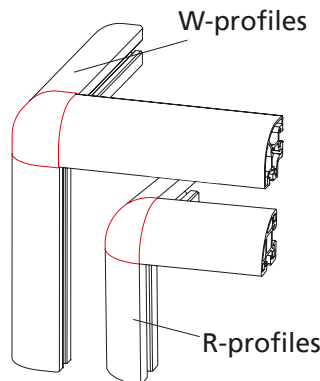
Corner cap



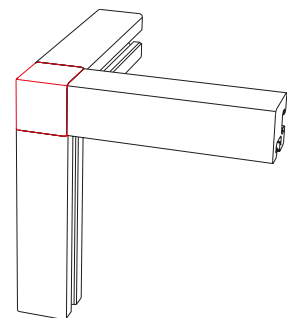
Corner joint



Corner joint as fixing element for the flush mounting of panels



Corner connection with R, KLW or W-profiles



Corner connection with G-profiles





**Order instruction:**





- Purchase only in lot sizes and a multiple of that see product table below

[mm]

Code No.	Type	lot sizes	Profiles	A	B	Ø C	D
4554408	Complete corner joint, black	-	F-G/GG/2G/3G 30	15	15	5.4	3
4564408			F-G/GG/2G/3G 40, F-GG 40x80 (2x)	20	20	6.6	4.5
4104406			W/KLW 30 (90°)	20	20	5.5	3.5
4114406			W/KLW 40 (90°)	30	30	6.6	5
4104407	Corner joint -single component- (without cap and screws)	-	R, F-G/GG/2G/3G 30	15	15	5.4	3
4114407			R, F-G/GG/2G/3G 40, F-GG 40x80 (2x)	20	20	6.6	4.5
4104405			W/KLW 30 (90°)	20	20	5.5	3.5
4114405			W/KLW 40 (90°)	30	30	6.6	5

Code No.	Type	lot sizes	Profiles	A	B	Ø C	D
4104408	Complete corner joint, black	-	R 30	15	15	5.4	3
4100411	Corner cap -single component-	10, 20, 30... pcs	W/KLW 30 (90°)	-	-	-	-
4110411			W/KLW 40 (90°)	-	-	-	-

Code No.	Type	lot sizes	Profiles	Colour
4108421	Corner cap	10, 20, 30... pcs	R 30	RAL 9005
4108422				RAL 9006
4108423				RAL 7035
4108426				RAL 5005
4558421	Corner cap	10, 20, 30... pcs	F-G/GG/2G/3G 30	RAL 9005
4558422				RAL 9006
4568421	Corner cap	10, 20, 30... pcs	F-G/GG/2G/3G 40, F-GG 40x80	RAL 9005
4568422				RAL 9006

Black RAL 9005	
White RAL 9006	
Grey RAL 7035	
Blue RAL 5005	

Please note that, for typographical reasons, the colours illustrated here are only an approximation of the RAL colours.

# Cross connections

## Versions



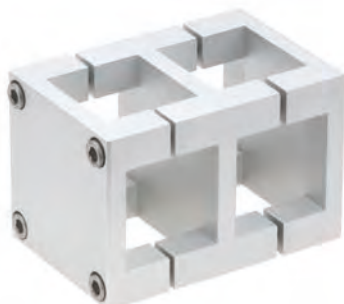
Keyed clamp connector -Q-



Mitre joint -transversal-



Cross connector -swiveling-



Cross clamp KV



# Table of contents

## Connection techniques

### Cross connections

Keyed clamp connector -Q- ..... p. 242

Mitre joint -transversal- ..... p. 242

Cross connector -swiveling- ..... p. 243

Cross clamp KV ..... p. 243

## Functional profiles

# Cross connections

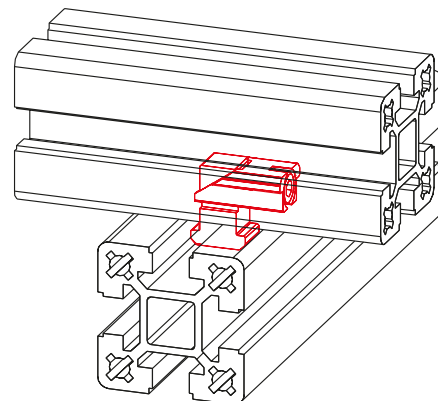
### Keyed clamp connector -Q-



- Simple realisation of cross connections by bracing the profiles
- No profile machining necessary

**Material:** Galvanised steel

**Includes:** Complete fixing set for one connection



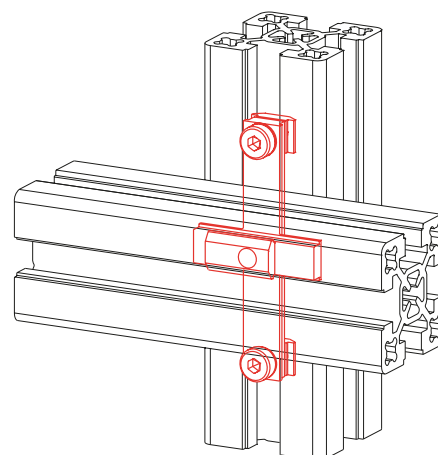
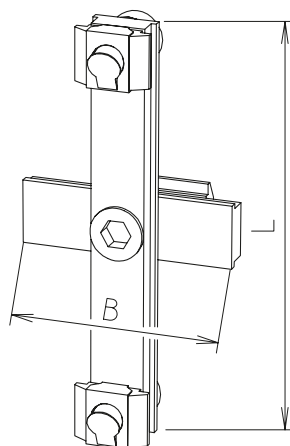
Code No.	Type
4016521	40 slot geometry

### Mitre joint -transversal-

- For connecting crossing profiles
- For retrofitting in structures
- Profile alignment not necessary

**Material:** Galvanised steel

**Includes:** Complete fixing set for one connection



Code No.	Type	B	L	Version
4026502	F-60/80	40	102	With slot stone -F-
4026512	F-60/80	40	102	With slot stone -L-
4016502	40/50	40	78	With slot stone -F-
4016512	40/50	40	78	With slot stone -L-

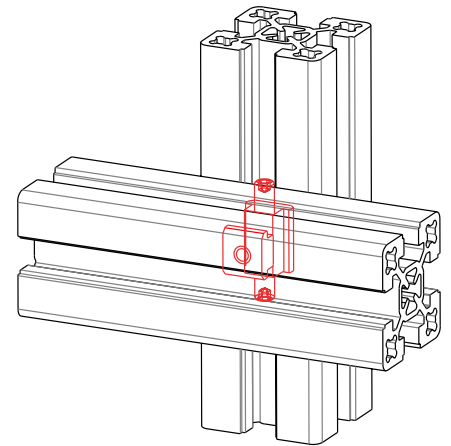


### Cross connector -swiveling-

- For connection of crossing profiles
- 360° swiveling
- Fixation in all positions

**Material:** Galvanised steel

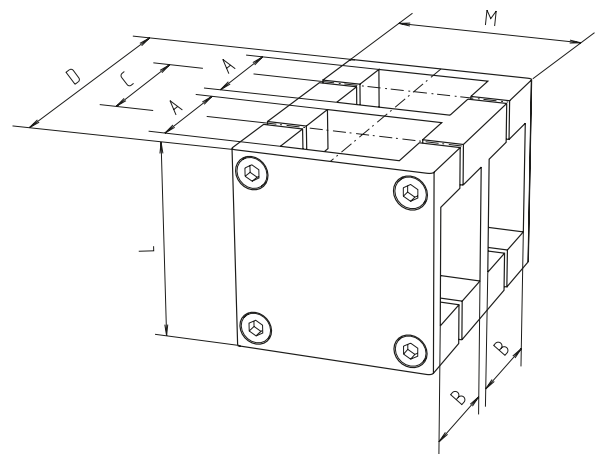
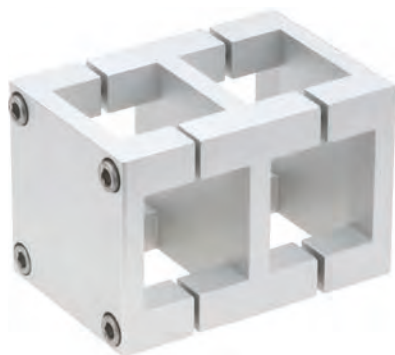
**Includes:** Complete fixing set



Code No.	Type	Piece
4016584	40 slot geometry	1
4016583		10

### Cross clamp KV

**Material:** Aluminium,  
Stainless steel fastenings.  
For further clamping elements,  
please refer to the catalogue  
"Connecting Technology"



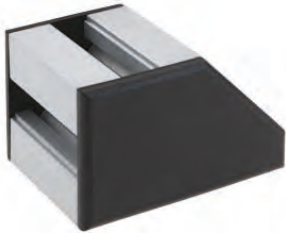
Code No.	Type	A	B	C	D	L	M
503000050300	KV 30	30.2	30.2	36	78	56	56
504000050300	KV 40	40.3	40.3	48	104	68	68
505000050300	KV 50	50.4	50.4	60	130	85	85
506000050300	KV 60	60.4	60.4	72	169	105	105

[mm]

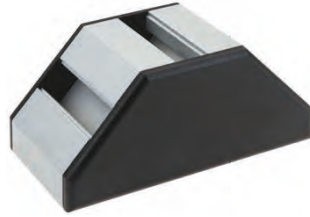
Functional profiles

# Angle connections

## Versions



Frame joint 2x40



Frame joint 3x40



Profile joint -E-



Profile joint



Double profile joint



Mitre joint -W1-



Mitre joint -W2-



Steel swivel



# Table of contents

## Connection techniques

### Angle connections

Frame joint 2x40 .....	p. 246
Frame joint 3x40 .....	p. 246
Profile joint -E- (eccentric) .....	p. 247
Profile joint .....	p. 248
Double profile joint .....	p. 248
Mitre joint -W1- .....	p. 249
Mitre joint -W2- .....	p. 249
Steel swivel .....	p. 250

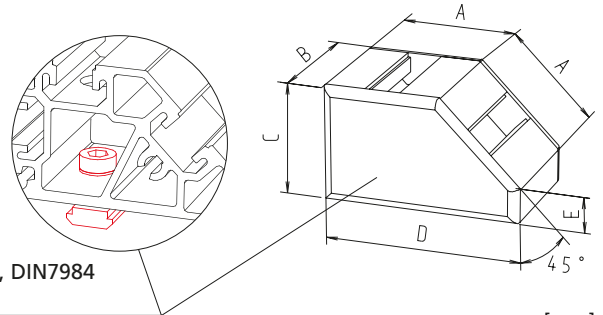
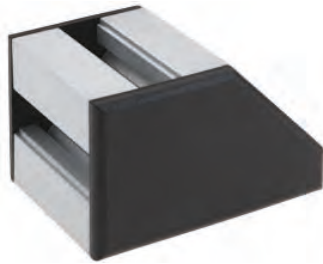
Functional profiles

# Angle connections

## Frame joint 2x40

- Frame joint with 2 connecting options 40x40 and/or 40x80, each set at 45°.
- Complete with fixing set.

**Material:** Aluminium, Plastic cover plates, cut to size as required.



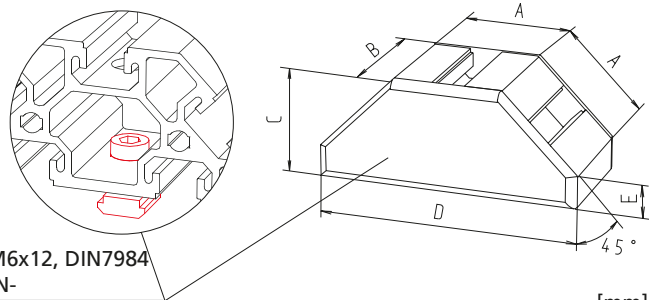
Fixing set:  
Socket head cap screw, M6x12, DIN7984  
Lock washer, slot stone -N-

Code No.	Type	A	B	C	D	E
4155650	40	40	40	40	68	11.8
4155651	40x80	40	80	40	68	11.8

## Frame joint 3x40

- Frame joint with 3 connecting options 40x40 and/or 40x80, each set at 45°.
- Complete with fixing set.

**Material:** Aluminium, Plastic cover plates, cut to size as required.

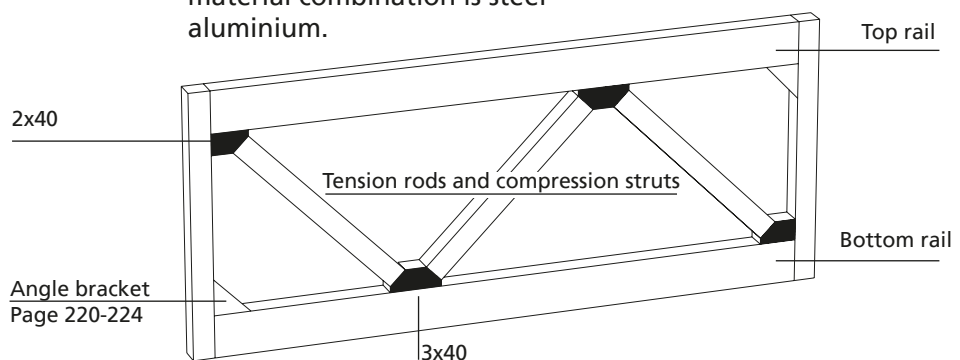


Fixing set:  
Socket head cap screw, M6x12, DIN7984  
Lock washer, slot stone -N-

Code No.	Type	A	B	C	D	E
4255650	40	40	40	40	96.6	11.8
4255651	40x80	40	80	40	96.6	11.8

## Position diagram

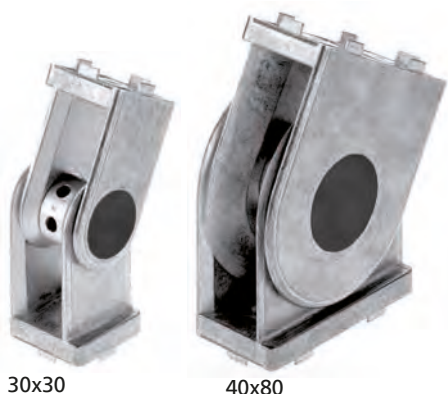
- With unsupported lengths and dynamic alternating stresses, bracing elements should be added because the material combination is steel aluminium.
- Such elements may be angle brackets, bracing plates and cross strut profiles as are typically used in framework.







### Profile joint -E-



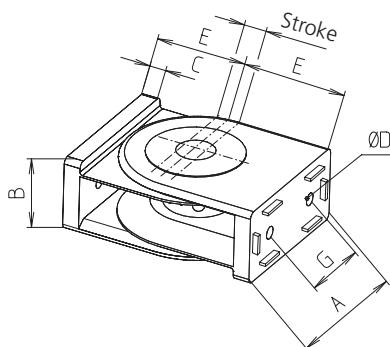
30x30

40x80

- These die-cast joints feature eccentric height compensation.

**Material:** Die-cast zinc joint, galvanised steel eccentric bolt and fastenings

**Includes:** Does not include fixing set (see table)



Code No.	Type	Pivoting range	Stroke	A	B	C	D	E	G
4032550	Joint 30x30	250°	4	30	30	8	6,1	42	0
4000530	Fixing set to 30 slot geometry								
4010530	Fixing set to 40 slot geometry								
4032540	Joint 40x80	180°	4	80	40	9	6,6	52	40
4010521	Fixing set to 40 slot geometry								
4810520	Fixing set on the face of Type 40								

**Attention: discontinued model**  
 Type 30x30, Code No. 4032550  
 Type 40x80, Code No. 4032540

Note: One fixing set contains material for connecting one profile.  
 For the profile joint 40x80, 2 fixing sets are required per side.

### Profile joint



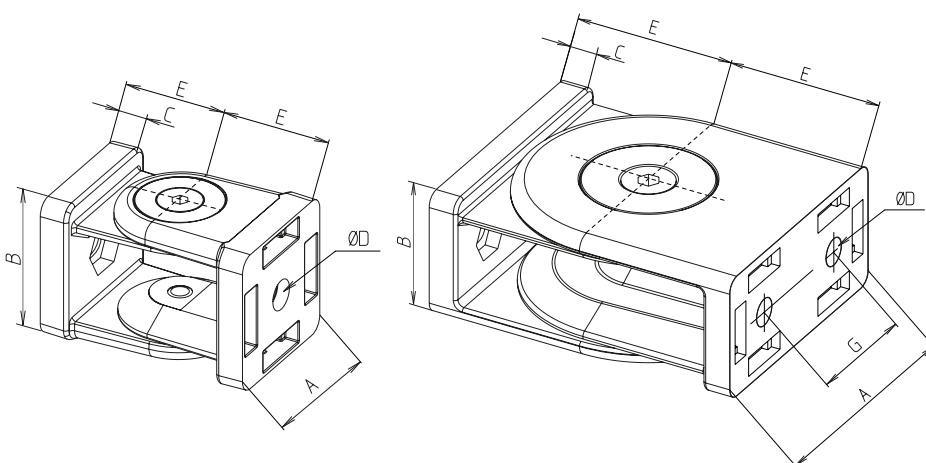
40x40



40x80

**Material:** joint 40x40 die casting zinc, joint 40x80 die-cast Aluminum, fixing material Galvanized steel

**Includes:** centering pieces; does not include fixing set (see table)



Code No.	Type	Pivoting range	A	B	C	D	E	G	
4D32500	Profile joint 40x40	180°	40	40	9	8,5	30	-	
4392500	Profile joint 40x80	180°	80	40	9	8,5	50	40	
4572501	Fixing set to 30 slot geometry								
4D32501	Fixing set to 40 slot geometry								
4D32502	Fixing set front side for F-40x40, F-40x80, F-80x80								

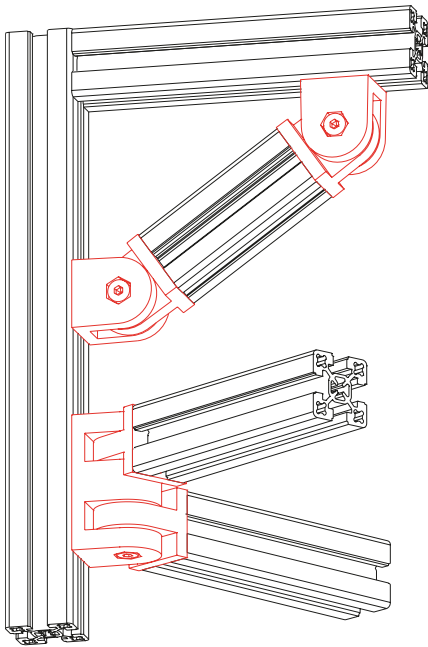
Note: One fixing set contains material for connecting one profile.  
 For the profile joint 40x80, 2 fixing sets are required per side.

## Functional profiles

# Angle connections

### Profile joint

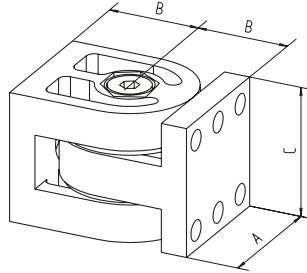
F-40, figure with slot-to-slot fixing set



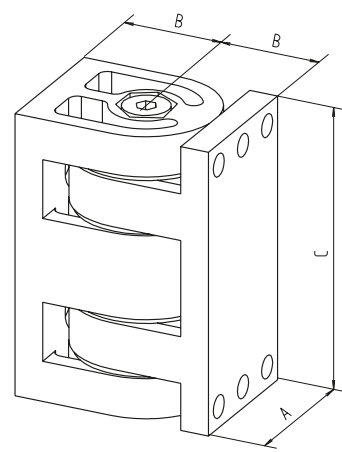
- Depending on the fixing set, the profile joint can be used with the profiles given below
- The joint can be infinitely adjusted through 180°.

**Material:** Aluminium  
**Includes:**  
 Complete with fixing set (see table)

F-40



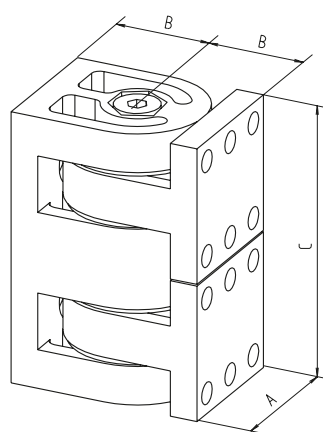
F-40x80



[mm]

Code No.	Type	Fixing set	A	B	C
4015550	Profile joint F-40	without fixing set	40	28	40
4015551		Face-to-face	40	28	40
4015552		Slot-to-slot	40	28	40
4015553		Face-to-slot	40	28	40
4035550	Profile joint F-40x80	without fixing set	40	28	80
4035551		Face-to-face	40	28	80
4035552		Slot-to-slot	40	28	80
4035553		Face-to-slot	40	28	80

F-40x80-2



### Double profile joint

F-40x80-2, figure with face-to-slot fixing set



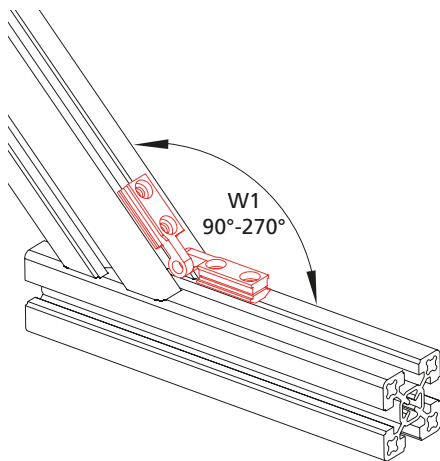
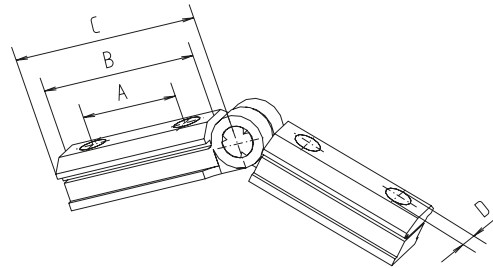
[mm]

Code No.	Type	Fixing set	A	B	C
4035555	Double profile joint F-40x80-2	without fixing set	40	28	80
4035556		Face-to-face	40	28	80
4035557		Slot-to-slot	40	28	80
4035558		Face-to-slot	40	28	80

**Mitre joint -W1-**

- Connects profiles at any angle
- No alignment necessary

**Material:** Galvanised steel  
**Includes:** Complete fixing set for one mitre joint -W-



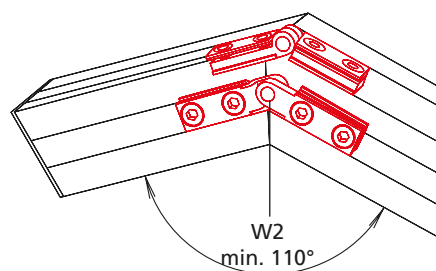
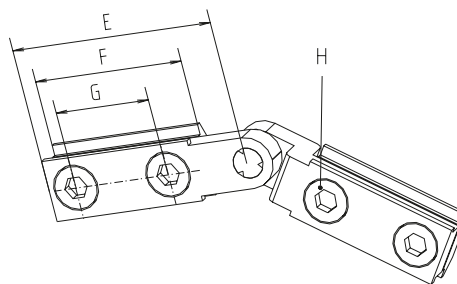
[mm]

Code No.	Type	Slot geometry	A	B	C	D
4016506	W-1	30	19	30	41	M4
4016504	W-1	40	19	30	41	M5

**Mitre joint -W2-**

**Material:** Galvanised steel

**Includes:** Complete fixing set for one mitre joint -W-



[mm]

Code No.	Type	Slot geometry	E	F	G	H
4016507	W-2	30	41	30	19	M4
4016505	W-2	40	41	30	19	M5

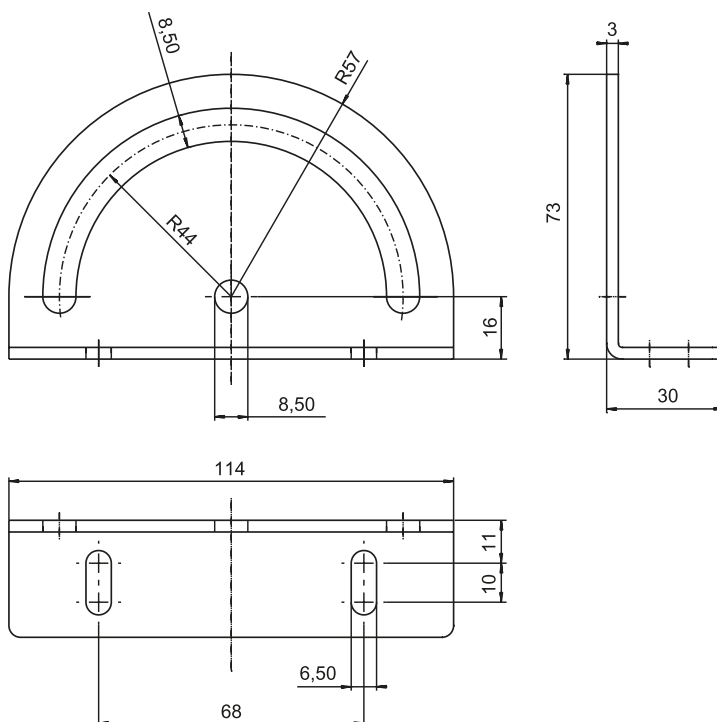
## Functional profiles

# Angle connections

### Steel swivel

- Using steel swivels enables structural profiles to be adjusted to any angle

**Material:** Galvanised steel  
**Includes:** 1 steel swivel with one complete fixing set for one profile connection.  
 A clamping level can be ordered as an optional extra



[mm]

Code No.	Type	Slot geometry
WAC042000144	Steel swivel with screw	40
WAC042000145	Clamping lever	40



Functional profiles

# Accessories

## Versions



T-head bolt



Slot stone -F-



Slot stone -N-, -NF-



Slot stone -R-, -RF-



Slot stone -L- II



Slot stone -E-, -E- II



Slot stone -K-



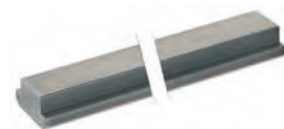
Slot stone -P- version K



Slot stone -PA-



Equipotential bonding cable



Bar material  
slot stone -N-



Suspended sliding block



Screws



# Table of contents

## Accessories

<b>Slot stones and screws</b>	T-head bolt .....	p. 254
	Slot stone -F-.....	p. 254
	Slot stone -N-, -NF- .....	p. 255
	Slot stone -R-, -RF- .....	p. 256
	Slot stone -L- II .....	p. 257
	Slot stone -E-/EII.....	p. 257
	Slot stone -K- .....	p. 258
	Slot stone -P- version K (equipotential bonding) .....	p. 258
	Slot stone -PA- (equipotential bonding).....	p. 259
	Equipotential bonding cable.....	p. 260
	Bar material slot stone -N-.....	p. 260
	Suspended sliding block .....	p. 262
	Screws .....	p. 263

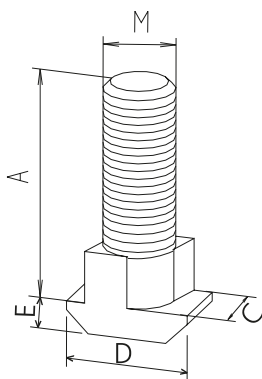
## Functional profiles

# Slot stones and screws

### Order instruction:

- Purchase only in lot sizes and a multiple of that see product table below

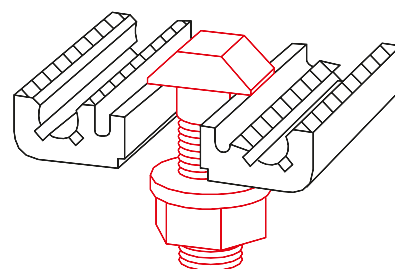
### T-head bolt



**Material:** Galvanised steel

**Includes:** Complete with nut and washer

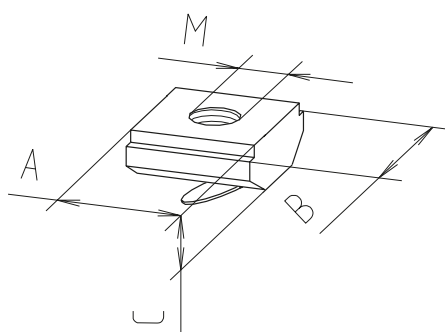
- For fixing mitre joints and angle brackets
- Can be inserted into any position in the profile slot
- The action of tightening turns it into the final clamping position



Code No.	Type	lot sizes	Slot geometry	A	C	D	E	M
4016201	M8x25	10, 20, 30... pcs	40	25	9.8	15.5	4	M8

[mm]

### Slot stone -F-



**Material:** Galvanised steel

- Simply slid/inserted edge-first into the profile slot
- Fixed in the desired position by the spring clip

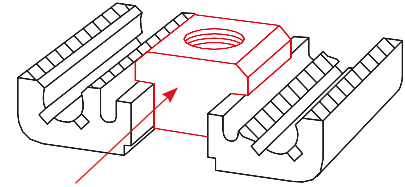
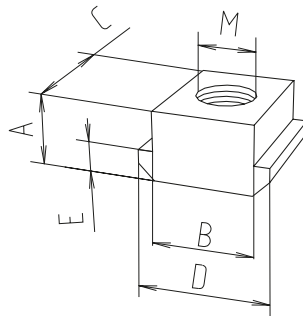
Code No.	Type	lot sizes	Slot geometry	A	B	C	M
4006710	M3	10, 20, 30... pcs	30	10	12	4	M3
4006716	M4	10, 20, 30... pcs	30	10	12	4	M4
4006711	M5	10, 20, 30... pcs	30	10	12	4	M5
4006712	M6	10, 20, 30... pcs	30	10	12	4	M6
4006715	M4	10, 20, 30... pcs	40	10	14	4	M4
4006713	M5	10, 20, 30... pcs	40	10	14	4	M5
4006714	M6	10, 20, 30... pcs	40	10	14	4	M6

[mm]



**Slot stone -N-**

- This slot stone slides into the end of the profile slot

**Material:** Galvanised steel


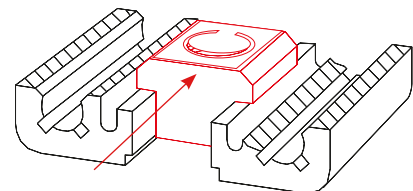
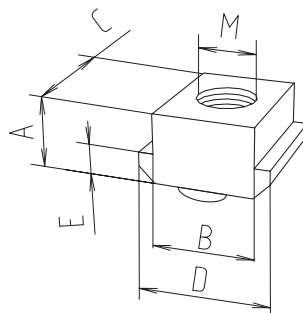
[mm]

Code No.	Type	lot sizes	Slot geometry	A	B	C	D	E	M
4006201	M5	10, 20, 30... pcs	30	5	10	13	13	3	M5
4006203	M6	10, 20, 30... pcs	30	5	10	13	13	3	M6
4006202	M8	10, 20, 30... pcs	30	5	10	13	13	3	M8
4026207	M5	10, 20, 30... pcs	40	8	10	13	15	4	M5
4026203	M6	10, 20, 30... pcs	40	8	10	13	15	4	M6
4009202	M8*	10, 20, 30... pcs	30	5	10	13	13	3	M8
4026206	M8	10, 20, 30... pcs	40	8	10	13	15	4	M8
4029206	M8*	10, 20, 30... pcs	40	8	10	13	15	4	M8
4026214	M8	10, 20, 30... pcs	40	8	10	28	15	4	M8
4026208	M8	10, 20, 30... pcs	40, with screw M8x16	8	10	13	15	4	M8
4026202	M8	10, 20, 30... pcs	40, with screw M8x18	8	10	13	15	4	M8

\* Stainless steel

**Slot stone -NF-**

- This slot stone slides into the end of the profile slot
- The spring clip guarantees fixation in any position/installation position

**Material:** Galvanised steel


[mm]

Code No.	Type	lot sizes	Slot geometry	A	B	C	D	E	M
4016241	M5	10, 20, 30... pcs	40	8	10	13	15	4	M5
4016242	M6	10, 20, 30... pcs	40	8	10	13	15	4	M6
4016243	M8	10, 20, 30... pcs	40	8	10	13	15	4	M8

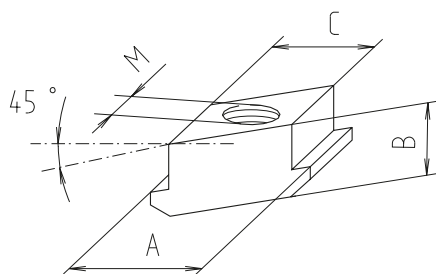
## Functional profiles

# Slot stones and screws

### Order instruction:

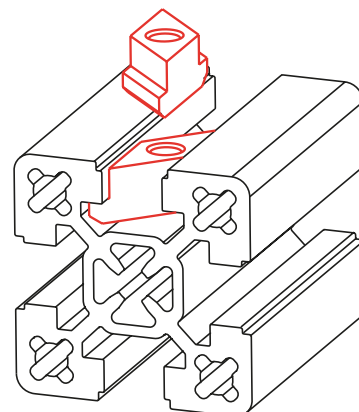
- Purchase only in lot sizes and a multiple of that see product table below

### Slot stone -R-



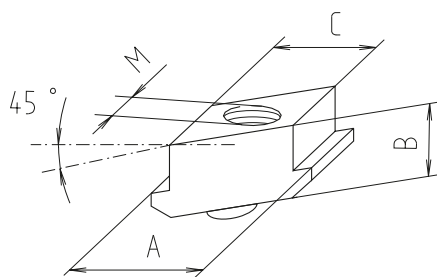
**Material:** Galvanised steel

- Insert anywhere in the slot
- The action of tightening turns it into the final clamping position



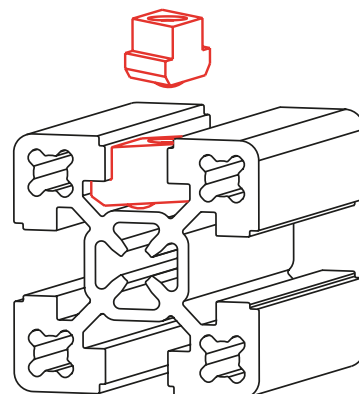
Code No.	Type	lot sizes	Slot geometry	A	B	C	M
4006222	M5	10, 20, 30... pcs	30	13	5	10	M5
4006221	M6	10, 20, 30... pcs	30	13	5	10	M6
4006223	M8	10, 20, 30... pcs	30	13	5	10	M8
4026221	M6	10, 20, 30... pcs	40	15	8	10	M6
4026222	M8	10, 20, 30... pcs	40	15	9	10	M8

### Slot stone -RF-



**Material:** Galvanised steel

- Rhombic slot stones -RF- can be inserted and twisted into any position in the profile slot
- The spring clip guarantees fixation in any position/installation position

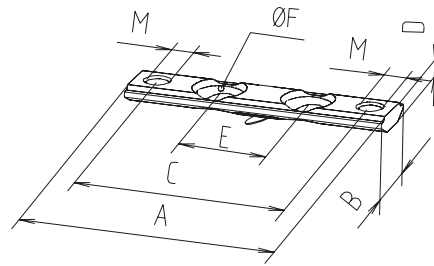


Code No.	Type	lot sizes	Slot geometry	A	B	C	M
4006241	M5	10, 20, 30... pcs	30	13	5	10	M5
4006242	M6	10, 20, 30... pcs	30	13	5	10	M6
4006243	M8	10, 20, 30... pcs	30	13	5	10	M8
4016245	M8	10, 20, 30... pcs	40	15	9	10	M8
4016244	M6	10, 20, 30... pcs	40	15	8	10	M6

## Slot stone -L- II



Version -L- II



- For fixing flange brackets. The slot stone can be slid/inserted edge-first into the profile slot and fixed in any position with a spring clip.

**Material:** Galvanised steel

[mm]

Code No.	Type	lot sizes	Version	Slot geometry	A	B	C	D	E	F	M
4006207	M5	10, 20, 30... pcs	-L- II	30	29	12	21.5	4	0*	8.5	M5
4016206	M6	10, 20, 30... pcs	-L- II	40	38	14	28	4	0*	10.2	M6
4016207	M6	10, 20, 30... pcs	-L- II	40	48	14	38	4	15,5	10.2	M6
4016208	M6	10, 20, 30... pcs	-L- II	40	58	14	48	4	20	10.2	M6
4046206	M6	10, 20, 30... pcs	-L- II	40	78	14	68	4	40	10.2	M6

\* Only have one hole

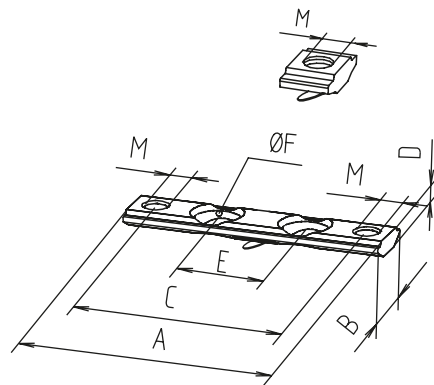
## Slot stone -E- / E-II



Version -E-



Version -E- II



- Slid into the slot from the side
- High load capacity due to large supporting surface
- Fixed in the desired position by the spring clip

**Material:** Galvanised steel

[mm]

Code No.	Type	lot sizes	Version	Slot geometry	A	B	C	D	E	F	M
4006208	M5	10, 20, 30... pcs	-E-	40	10	16.5	-	4	0*	-	M5
4006209	M6	10, 20, 30... pcs	-E-	40	10	16.5	-	4	0*	-	M6
4006224	M6	10, 20, 30... pcs	-E- II	40	38	16.5	28	3.8	0	10.2	M6
4006239	M6	10, 20, 30... pcs	-E- II	40	58	16.5	48	3.8	20	10.2	M6
4006240	M6	10, 20, 30... pcs	-E- II	40	78	16.5	68	3.8	40	10.2	M6

\* Only have one hole

## Functional profiles

# Slot stones and screws

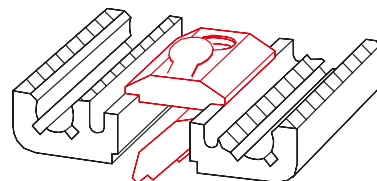
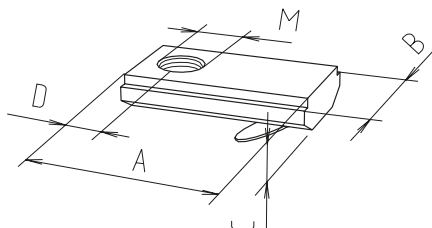
### Order instruction:

- Purchase only in lot sizes and a multiple of that see product table below

- Simply slid/inserted edge-first into the profile slot

**Material:** Galvanised steel

### Slot stone -K-



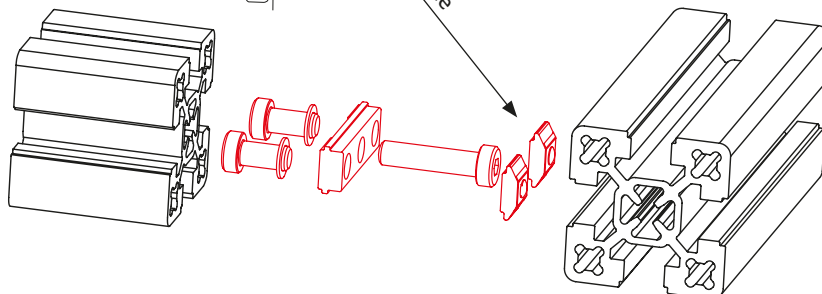
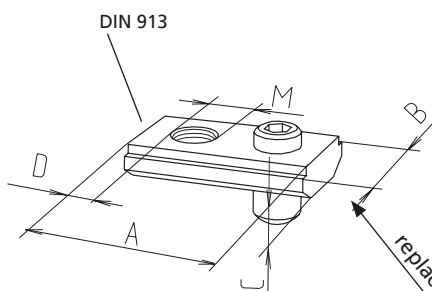
									[mm]
Code No.	Type	lot sizes	Slot geometry	A	B	C	D	M	
4006211	M5	10, 20, 30... pcs	30	21	12	4	7	M5	
4006212	M6	10, 20, 30... pcs	30	21	12	4	7	M6	
4006213	M8	10, 20, 30... pcs	30	21	12	4	7	M8	
4016212	M6	10, 20, 30... pcs	40	21	14	4	7	M6	
4016213	M8	10, 20, 30... pcs	40	21	14	4	7	M8	

### Slot stone -P- version K

- Creates equipotential bonding between two profiles by damaging the anodised layer

**Material:** Galvanised steel/stainless steel

**Includes:**  
1 complete unit



										[mm]
Code No.	Type	lot sizes	Material	Slot geometry	A	B	C	D	M	
4006214	M5	10, 20, 30... pcs	Galvanised steel	All	20	12	4	7	M5	
4009214	M5	10, 20, 30... pcs	Stainless steel	All	20	12	4	7	M5	
4006216	M6	10, 20, 30... pcs	Galvanised steel	All	20	12	4	7	M6	
4009216	M6	10, 20, 30... pcs	Stainless steel	All	20	12	4	7	M6	
4006215	M6	10, 20, 30... pcs	Galvanised steel	40	20	14	4	7	M6	



## Slot stone -PA-



Version PA -N-



Version PA -R-



Version PA -F-



Version PA -K-



Version PA -L-

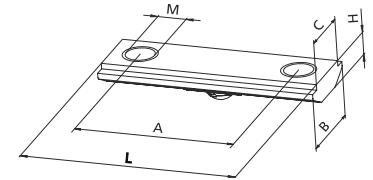


Version PA -PLM-

- The -PA- slot stones have an equipotential bonding effect by destroying the anodised layer. The slot stones can be used in an assembly kit or be interconnected with bridge pieces.

**Material:** Black galvanised steel

**Includes:** 1 pack of 10



[mm]

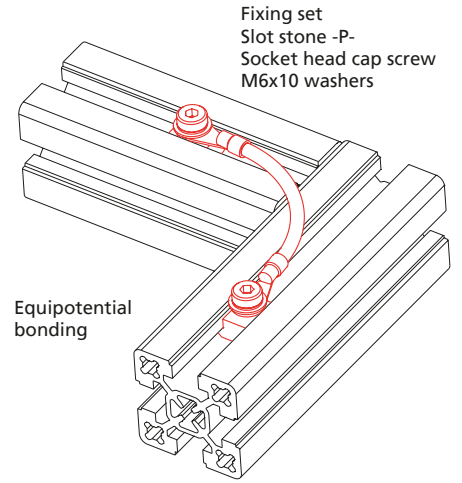
Code No.	Type	lot sizes	Slot geometry	A	B	C	H	L	M
<b>Slot stone PA -N-</b>									
4006E01	M5	10, 20, 30... pcs	30	–	13	10	5	13	M5
4006E03	M6	10, 20, 30... pcs	30	–	13	10	5	13	M6
4006E02	M8	10, 20, 30... pcs	30	–	13	10	5	13	M8
4026E07	M5	10, 20, 30... pcs	40	–	15	10	8	13	M5
4026E03	M6	10, 20, 30... pcs	40	–	15	10	8	13	M6
4026E06	M8	10, 20, 30... pcs	40	–	15	10	8	13	M8
<b>Slot stone PA -R-</b>									
4006E22	M5	10, 20, 30... pcs	30	–	13	10	5	29	M5
4006E21	M6	10, 20, 30... pcs	30	–	13	10	5	29	M6
4006E23	M8	10, 20, 30... pcs	30	–	13	10	5	29	M8
4026E21	M6	10, 20, 30... pcs	40	–	15	10	8	31	M6
4026E22	M8	10, 20, 30... pcs	40	–	15	10	9	31	M8
<b>Slot stone PA -F-</b>									
4006E10	M3	10, 20, 30... pcs	30	–	12	10	4	10	M3
4006E16	M4	10, 20, 30... pcs	30	–	12	10	4	10	M4
4006E11	M5	10, 20, 30... pcs	30	–	12	10	4	10	M5
4006E12	M6	10, 20, 30... pcs	30	–	12	10	4	10	M6
4006E15	M4	10, 20, 30... pcs	40	–	14	10	4	10	M4
4006E13	M5	10, 20, 30... pcs	40	–	14	10	4	10	M5
4006E14	M6	10, 20, 30... pcs	40	–	14	10	4	10	M6
<b>Slot stone PA -K-</b>									
4006F11	M5	10, 20, 30... pcs	30	–	12	10	4	21	M5
4006F12	M6	10, 20, 30... pcs	30	–	12	10	4	21	M6
4006F13	M8	10, 20, 30... pcs	30	–	12	10	4	21	M8
4016E12	M6	10, 20, 30... pcs	40	–	14	10	4	21	M6
4016E13	M8	10, 20, 30... pcs	40	–	14	10	4	21	M8
<b>Slot stone PA -L-</b>									
4006E04	M5	10, 20, 30... pcs	30	21.5	12	10	4	29	M5
4016E04	M6	10, 20, 30... pcs	40	28	14	10	4	38	M6
4026E04	M6	10, 20, 30... pcs	40	48	14	10	4	58	M6
4046E04	M6	10, 20, 30... pcs	40	68	14	10	4	78	M6
<b>Slot stone PA -PLM-</b>									
E00037CRE	M3	10, 20, 30... pcs	20	–	6,5	–	3	10	M3
E00038CRE	M4	10, 20, 30... pcs	20	–	6,5	–	3	10	M4
E00039CRE	M5	10, 20, 30... pcs	20	–	6,5	–	3	10	M5

**Functional profiles**

# Slot stones and screws

**Equipotential bonding cable**    **Material:** Galvanised steel fixing set

- Equipotential bonding cable  
6 mm<sup>2</sup> with cable lug, length  
120 mm



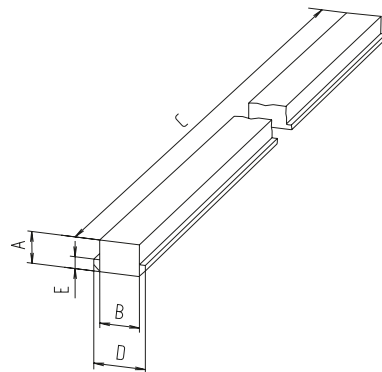
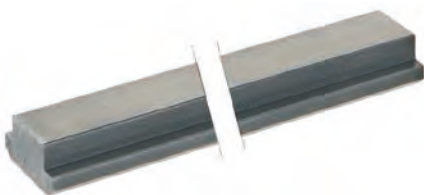
Code No.	Type	Slot geometry
4012590	Equipotential bonding (cable)	40
4012591	Complete fixing set	40

[mm]

## Bar material

- The bar material allows thread to be cut to length and positioned to suit the application.
- Manufacturing tolerances (dimension C) must be observed
- Machining to customer specification available on request.

**Material:** steel / stainless steel  
Base profile for slot stone -N-



Code No.	Material	Slot geometry	A	B	C	D	E
4006200 3010	Steel	30	5	10	2800 - 3000	13	3
4026200 3010		40	8	10	2800 - 3000	15	4
4009200 5600	Stainless steel	30	4	10	5600 - 6000	14	3
4029200 5600		40	8	10	5600 - 6000	15	4

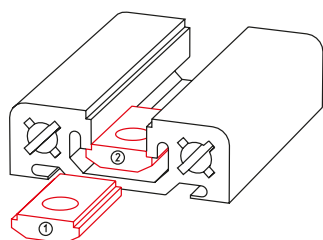
[mm]

**Order instruction:**

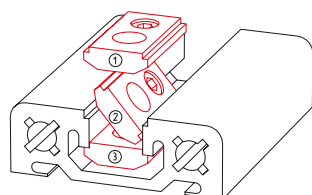
- Purchase only in lot sizes and a multiple of that see product table below

**Use of slot stones (slot stone with spring clip -F- / slot stones -K-, -E- and -L- II)**

Code No.	See page	lot sizes	30 slot geometry		40 slot geometry	
			slide into slot	insert edge-first into slot	slide into slot	insert edge-first into slot
<b>Slot stone -F-</b>						
4006710	254	10, 20, 30... pcs	x	x	x	x
4006716	254	10, 20, 30... pcs	x	x	x	x
4006711	254	10, 20, 30... pcs	x	x	x	x
4006712	254	10, 20, 30... pcs	x	x	x	x
4006715	254	10, 20, 30... pcs	x		x	x
4006713	254	10, 20, 30... pcs	x		x	x
4006714	254	10, 20, 30... pcs	x		x	x
<b>Slot stone -L- II</b>						
4006207	257	10, 20, 30... pcs	x	x	x	x
4016206	257	10, 20, 30... pcs	x		x	x
4016207	257	10, 20, 30... pcs	x		x	x
4016208	257	10, 20, 30... pcs	x		x	x
4046206	257	10, 20, 30... pcs	x		x	x
<b>Slot stone -E- / E-II</b>						
4006208	257	10, 20, 30... pcs			x	
4006209	257	10, 20, 30... pcs			x	
4006224	257	10, 20, 30... pcs			x	
4006239	257	10, 20, 30... pcs			x	
4006240	257	10, 20, 30... pcs			x	
<b>Slot stone -K-</b>						
4006211	258	10, 20, 30... pcs	x	x	x	x
4006212	258	10, 20, 30... pcs	x	x	x	x
4006213	258	10, 20, 30... pcs	x	x	x	x
4016212	258	10, 20, 30... pcs	x		x	x
4016213	258	10, 20, 30... pcs	x		x	x
4006214	258	10, 20, 30... pcs	x	x	x	x
4006215	258	10, 20, 30... pcs	x	x	x	x
4006216	258	10, 20, 30... pcs	x		x	x

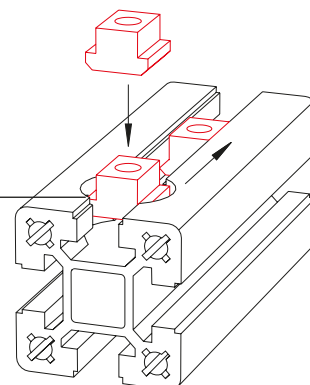
**Slide slot stone into slot**


Numbers = Installation sequence

**Insert slot stone edge-first into slot**


Example of retrospective insertion of an N slot stone in a profile.  
You will find a suitable drilling fixture on page 484

**Hole**  
Diameter: 20 mm  
Depth: 11.5 mm



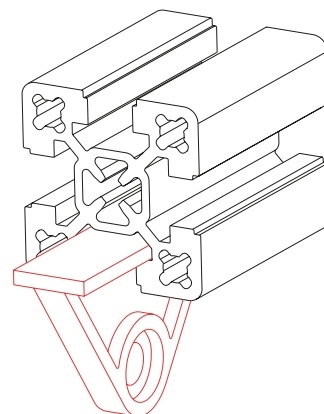
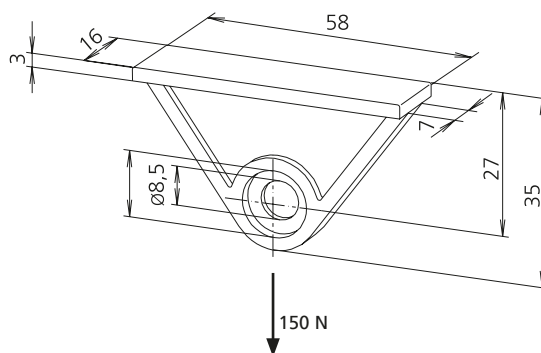
## Functional profiles

# Slot stones and screws

### Suspended sliding block

- To take tools and curtain guards
- Slid into the profile slot from the side.

**Material:** Black plastic



Code No.	Slot geometry
4018200	40



**Order instruction:**

- Purchase only in lot sizes and a multiple of that see product table below

**Material:** Galvanised steel**Includes:**  
1 unit complete with lock washer**Screws - DIN 7984**

Code No.	Type	lot sizes	Suitable for
4006234	M5x14	10, 20, 30... pcs	Connecting plate 30
4006235	M5x16	10, 20, 30... pcs	Hidden screw 30
4006238	M5x35	10, 20, 30... pcs	Corner joint clamping profiles 30
4016234	M6x16	10, 20, 30... pcs	Connecting plates as of size 40
4016235	M6x20	10, 20, 30... pcs	Hidden screw size 40
4016240	M6x45	10, 20, 30... pcs	Corner joint clamping profiles 40
4016236	M8x12	10, 20, 30... pcs	Universal
4016238	M8x18	10, 20, 30... pcs	Universal
4016237	M8x30	10, 20, 30... pcs	Universal

**RK expansion screws**

- Used for low dynamic loads
- Tightening torque 10 Nm

**Material:** Galvanised steel  
Head to DIN 7984

Code No.	Type	lot sizes	Suitable for
4126230	M6x35	10, 20, 30... pcs	40x40 to 80x160 F-profiles

Functional profiles

# Profile covers

## Versions



Cap



End plate



Cover profile -plastic-



Cover profile -aluminium-



Rim



Door gap seal



## Table of contents

<b>Profile covers</b>	Cap .....	p. 266
	End plate .....	p. 268
	Cover profile -plastic-.....	p. 269
	Cover profile -aluminium- .....	p. 269
	Rim .....	p. 270
	Door gap seal .....	p. 270

## Functional profiles

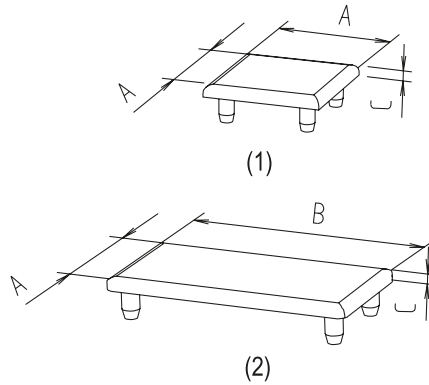
# Profile covers






### Order instruction:

- Purchase only in lot sizes and a multiple of that see product table below

### Caps -plastic-

- In addition to the standard black version (see next page), it is possible to order other types in various RAL colours. Other profile types and RAL colours available on request.
- Please note that, for typographical reasons, the colour illustrated here is only an approximation of the RAL colour.



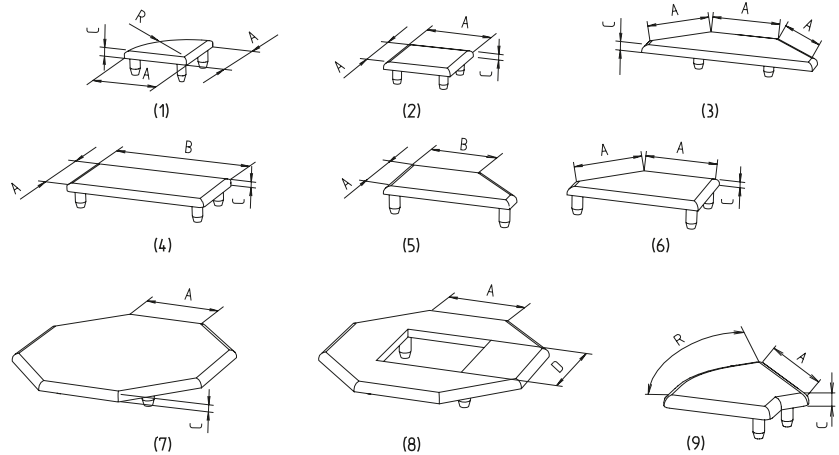
	White RAL 9006
	Grey RAL 7035
	Yellow RAL 1021
	Red RAL 3020
	Blue RAL 5005

Code No.	Type	lot sizes	See figure	A	B	C	D	R
<b>Colour plastic cap</b>								
410042_	F-R 30	10, 20, 30... pcs	1	30	-	3	-	29
400042_	F-G/GG/2G/3G 30x30	10, 20, 30... pcs	2	30	-	3	-	-
401042_	F-G/GG/2G/3G 40x40	10, 20, 30... pcs	2	40	-	4	-	-
403042_	F-G/F-GG 40x80	10, 20, 30... pcs	4	40	80	4	-	-
408842_	F-G/GG/2G/3G 50x50, SP-50x50	10, 20, 30... pcs	2	50	-	4	-	-
412142_	F-G/GG/2G/3G 60x60	10, 20, 30... pcs	2	60	-	4	-	-
404042_	F-G/GG/2G 80x80	10, 20, 30... pcs	2	80	-	4	-	-

2 = RAL 9006  
3 = RAL 7035  
4 = RAL 1021  
5 = RAL 3020  
6 = RAL 5005



**Black caps**  
-plastic-



Black RAL 9005

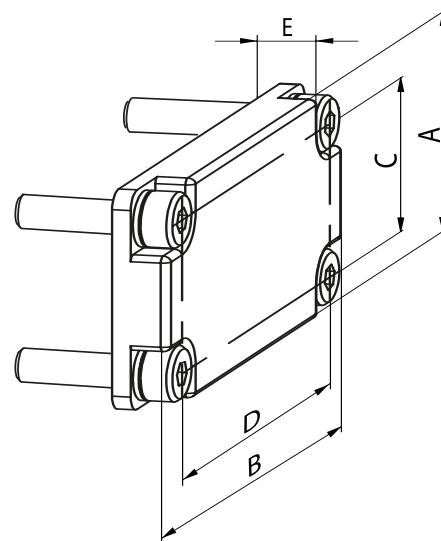
Code No.	Type	lot sizes	Version	See figure	A	B	C	D	R
<b>Black plastic cap</b>									
4000421	F-G/GG/2G/3G 30x30	10, 20, 30... pcs		2	30	-	3	-	-
4010421	F-G/GG/2G/3G 40x40	10, 20, 30... pcs		2	40	-	4	-	-
4030421	F-G/GG 40x80	10, 20, 30... pcs		4	40	80	4	-	-
4088421	SP-50x50, F-G/GG/2G/3G 50x50	10, 20, 30... pcs		2	50	-	4	-	-
4100421	F-R 30	10, 20, 30... pcs		1	30		3		R 29
4121421	F-G/GG/2G/3G 60x60	10, 20, 30... pcs		2	60	-	4	-	-
4040421	F-G/GG/2G 80x80	10, 20, 30... pcs		2	80	-	4	-	-
4388421	15x40	10, 20, 30... pcs		4	15	40	4	-	-
4348421	15x60	10, 20, 30... pcs		4	15	60	4	-	-
4358421	15x80	10, 20, 30... pcs		4	15	80	4	-	-
4368421	15x120	10, 20, 30... pcs		4	15	120	4	-	-
4378421	15x160	10, 20, 30... pcs		4	15	160	4	-	-
4158421	2x40	10, 20, 30... pcs		5	40	-	4	-	-
4158422	2x40	10, 20, 30... pcs		6	40	-	4	-	-
4258421	3x40	10, 20, 30... pcs		3	40	-	4	-	-
4050421	8x40	10, 20, 30... pcs		7	40	-	4	-	-
4050422	8x40	-		8	40	-	4	40	-
4200421	KL 30x30, ESP 30	10, 20, 30... pcs		2	30	-	3	-	-
4600421	KLD 30x30	10, 20, 30... pcs		2	30	-	3	-	-
4700421	KLE 30x30	10, 20, 30... pcs		2	30	-	3	-	-
4408421	KLW 30-15	10, 20, 30... pcs		9	30	-	3	-	15°
4418421	W/KLW 30-30	10, 20, 30... pcs		9	30	-	3	-	30°
4428421	W/KLW 30-45	10, 20, 30... pcs		9	30	-	3	-	45°
4448421	W/KLW 30-60	10, 20, 30... pcs		9	30	-	3	-	60°
4438421	W/KLW 30-90	10, 20, 30... pcs		9	30	-	3	-	90°
4210421	KL 40x40, ESP 40	10, 20, 30... pcs		2	40	-	4	-	-
4610421	KLD 40x40	10, 20, 30... pcs		2	40	-	4	-	-
4710421	KLE 40x40	10, 20, 30... pcs		2	40	-	4	-	-
4458421	KLW 40-15	10, 20, 30... pcs		9	40	-	4	-	15°
4468421	W/KLW 40-30	10, 20, 30... pcs		9	40	-	4	-	30°
4478421	W/KLW 40-45	10, 20, 30... pcs		9	40	-	4	-	45°
4498421	W/KLW 40-60	10, 20, 30... pcs		9	40	-	4	-	60°
4488421	W/KLW 40-90	10, 20, 30... pcs		9	40	-	4	-	90°

## Functional profiles

# Profile covers

## End plate

**Includes:** End plate complete with fixing set



Code No.	Type	A	B	C	D	E
<b>End plate to cover the front-end of the profile</b>						
<b>Die-cast aluminium</b>						
4004401	F-G/GG/2G/3G 30x30	30	30	21	21	6
4084401	F-G/GG/2G/3G 50x50	50	50	38	38	7
4044401	F-G/F-GG 80x80	80	80	68	68	8
<b>Aluminium</b>						
4064401	F-G/GG/2G/3G 60x120	60	120	48	108	15
4074401	F-G/GG/2G 80x160	80	160	68	148	15

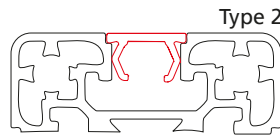
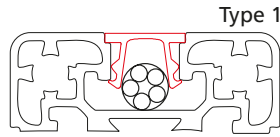


### Cover profile -plastic-

- For the flush covering of longitudinal slots. Two versions are available.

- Due to the geometry of type 1, it is possible to route leads in the slot. Type 2, on the other hand, is easier to take out of the profile slot (without leaving residues).

**Material:** Plastic  
Please note that, for typographical reasons, the colour illustrated here is only an approximation of the RAL colour.  
Further special colours available on request.

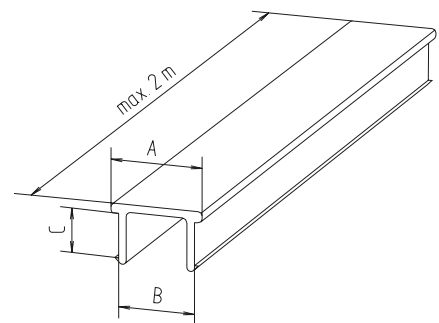
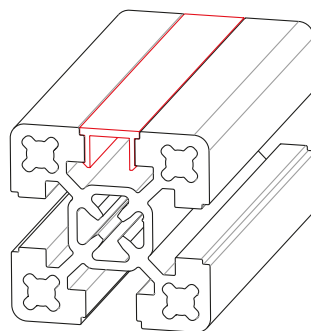


- Black RAL 9005
- White RAL 9006
- Grey RAL 7035
- Yellow RAL 1021
- Red RAL 3020
- Blue RAL 5005

Code No.	Type	Version	Colour	A	B	C
4000570	2	2 m bar	Black	12	11.2	6.4
4000575	2	2 m bar	Grey	12	11.2	6.4
4000577	2	2 m bar	White	12	11.2	6.4
4000579	2	2 m bar	Yellow	12	11.2	6.4
4000581	2	2 m bar	Red	12	11.2	6.4
4000583	2	2 m bar	Blue	12	11.2	6.4
4008570	1	2 m bar	Black	12	11.2	6.4
4000585	1	2 m bar	Yellow	12	11.2	6.4
4000586	1	2 m bar	Transparent	12	11.2	6.4

### Cover profile -aluminium-

**Material:** Al Mg Si 0.5  
Clear anodised.



Code No.	Type	Slot geometry	A	B	C
4005572	Cut to size	30	12	10	2.7
4005570	1	30	12	10	2.7
4015572	Cut to size	40	12	10	5.2
4015570	1	40	12	10	5.2

## Functional profiles

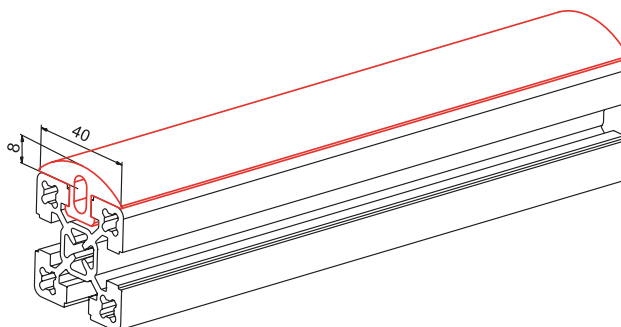
# Profile covers

### Rim

- Protects the structure from damage
- Simply pressed into the profile slot

**Material:**  
Synthetic EPDM rubber, black

**Shore hardness:** 70 Shore



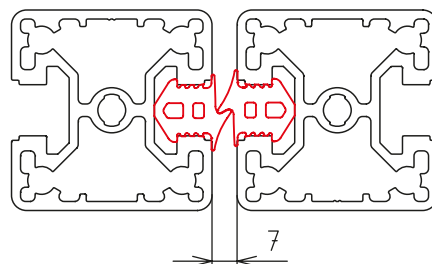
Code No.	Type	Slot geometry
4018594	Rim, 30 m roll	40
401859910000	Rim, 10 m roll	40

### Door gap seal

- Can absorb gap width tolerances
- Acts as a door stop

**Material:** NBR rubber, black

**Shore hardness:** 55 Shore



Code No.	Type	Slot geometry
401851810000	Door gap seal, 10 m roll	40
401851850000	Door gap seal, 50 m roll	40
4018518100000	Door gap seal, 100 m roll	40

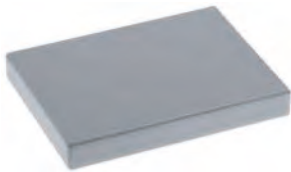




Functional profiles

# Panels and accessories

## Versions



Panels



Framing profile



Embedding U-profile



Frame profile  
Corner joint



Profile seal



Block joint -L-



Block joint -G-



Block joint -K-



Vario-Quick  
holding block R



Vario-Quick  
holding block S



Vario-Quick  
holding block L



Vario-Quick  
holding block K/KK



Vario-Quick  
cable bracket



Tube clamp



Sliding door profile



## Table of contents

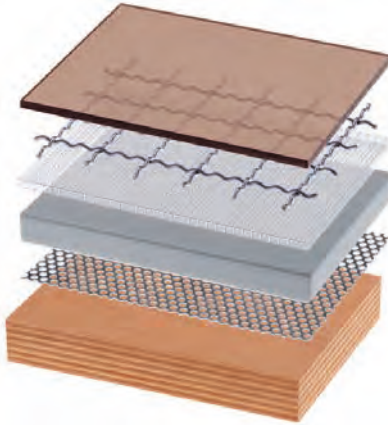
<b>Panels and accessories</b>	Panels ..... p. 274
	2-piece framing profile Plastic..... p. 276
	2-piece embedding U-profile ..... p.278
	Frame profile/corner joint ..... p. 281
	Profile seals..... p. 282
	Block joint -L- ..... p. 284
	Block joint -G-..... p. 285
	Block joint -K-..... p. 285
	Vario-Quick holding block R..... p. 286
	Vario-Quick holding block S ..... p. 286
	Vario-Quick holding block L ..... p. 287
	Vario-Quick holding block K/KK..... p. 288
	Vario-Quick cable bracket..... p. 289
	Tube clamp ..... p. 288
	Sliding door profile ..... p. 290

## Functional profiles

# Panels and accessories

### Panels

- For doors, cladding, safety and table tops. Cut to specification!



Code No.	Type	Thickness	Version	Max. size [mm]	Weight [kg/m <sup>2</sup> ]
4018584	Makrolon	2 mm	Clear	3.050 x 2.050	2.40
4018586	Makrolon	4 mm	Clear	3.050 x 2.050	4.80
4018576	Makrolon	6 mm	Clear	3.050 x 2.050	8.00
4018579	Makrolon	6 mm	Brown tinted	3.050 x 2.050	8.00
4018578	Makrolon	10 mm	Clear	3.050 x 2.050	13.00
4018582	Acrylic glass	4 mm	Clear	3.050 x 2.050	4.80
4018595	Acrylic glass	5 mm	Clear	3.050 x 2.050	6.00
4018563	Acrylic glass	5 mm	Blue, transparent	3.050 x 2.030	6.00
4018575	Acrylic glass	6 mm	Clear	3.050 x 2.050	7.20
4018577	Acrylic glass	10 mm	Clear	3.050 x 2.050	13.00
4012576	Trespa	6 mm	Brown	2.050 x 2.130	8.40
4012586	Trespa	6 mm	Silver-grey	3.050 x 1.530	8.40
4012587	Trespa	10 mm	Silver-grey	3.050 x 1.530	13.00
4018570	Koematex	6 mm	White	3.050 x 2.030	4.20
4018571	Koematex	8 mm	White	3.050 x 2.030	5.60
4018572	Koematex	10 mm	White	3.050 x 2.030	6.00
4012579	Multiplex	30 mm	Untreated	2.500 x 1.500	27.00
4015573	Aluminium	2 mm	Clear anodised	2.000 x 1.000	5.40
4012582	Table top	19 mm	Grey plastic-coated, glued edges	2.000 x 2.075	14.70
4012577	Composite	6 mm	Clear anodised	3.050 x 1.500	7.30
4012511	MDF panel	6 mm	Untreated	2.000 x 2.075	5.00
4012512	MDF panel	8 mm	Untreated	2.000 x 2.075	6.60
4016576	Perforated plate	1 mm	Round holes in staggered rows, galvanised steel	1.000 x 2.000	4.30
4016577	Wire mesh 20x20	2.5 mm	Galvanised steel	2.000 x 1.000	2.40
4016578	Wire mesh 30x30	3 mm	Galvanised steel	2.000 x 3.000	3.70
4016579	Wire mesh 40x40	3.8 mm	Galvanised steel	2.000 x 3.000	4.70

Further versions available on request. For material descriptions, see next page.



**Makrolon**  
Unbreakable, impact-resistant, weather-resistant, good chemical resistance



**Wire mesh**  
Galvanised steel, cost-effective panel for safety devices



**Acrylic glass**  
Highly transparent, low thickness tolerances, weather-resistant, unbreakable, easy to work with



**Perforated plate**  
Galvanised sheet steel, 5 mm round hole in staggered rows



**Trespa**  
Colourfast, weather-resistant, decorative, impact-, shock- and scratch-resistant, very easy to work with



**Table top**  
Decorative, plastic-coated, glued edges



**Koematex**  
Flame-retardant, thermoformable, low static charging, very easy to work with



**Composite**  
Low-weight, high flexural strength, weather-resistant, very good flatness and smooth surface



**Multiplex panel**  
High load-bearing strength and flexural strength, easy to work with



**MDF panel**  
Easy to work with, cost-effective

## Functional profiles

# Panels and accessories

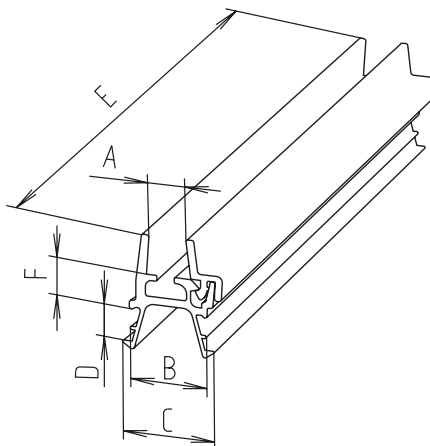
### 2-piece framing profile

- Used for retrofitting panels

**Material:** Black plastic.  
For a description of assembly, please see page 277

**Profile cut length:**  
Frame internal dimension -33 mm  
(if corner pieces are used)

**Panel cut length:**  
Frame internal dimension -5.5 mm  
all-round



Note: Note there is another framing profile version on page 278.

Code No.	Type	A	B	C	D	E	F
4018556	Bar	4	11.8	14.2	5	2000	4
4018558	Bar	5	11.8	14.2	5	2000	4
4018560	Bar	6	11.8	14.2	5	2000	4

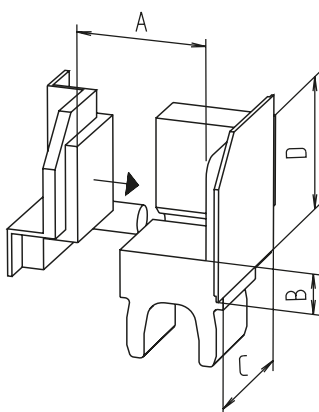
### Order instruction:

- Purchase only in lot sizes and a multiple of that see product table below

**Material:** Black plastic

**Assembly description:**  
see page 277

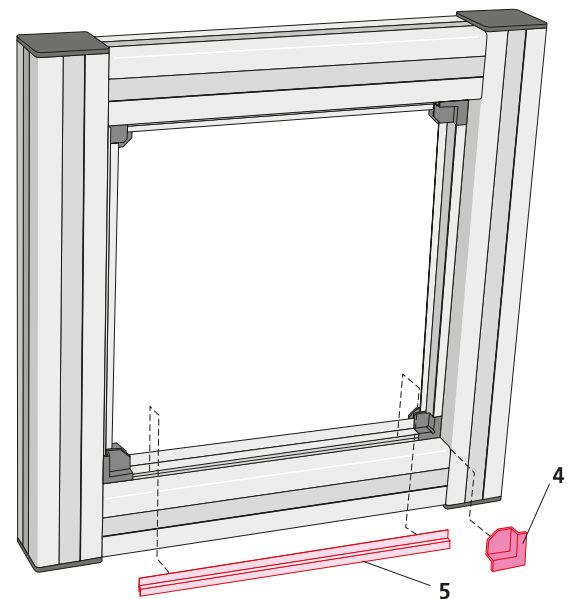
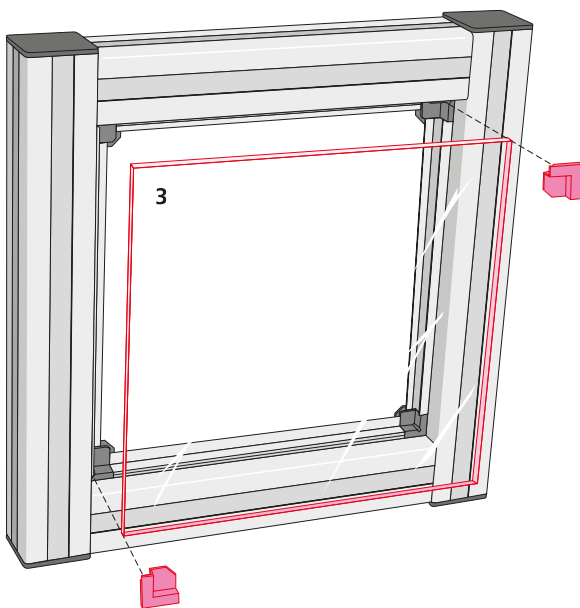
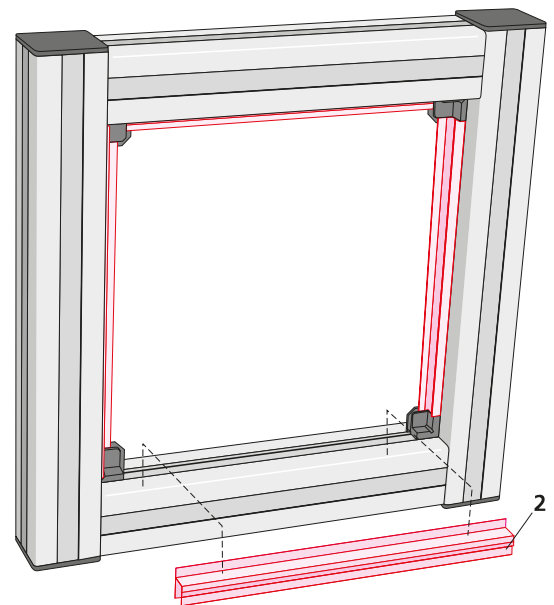
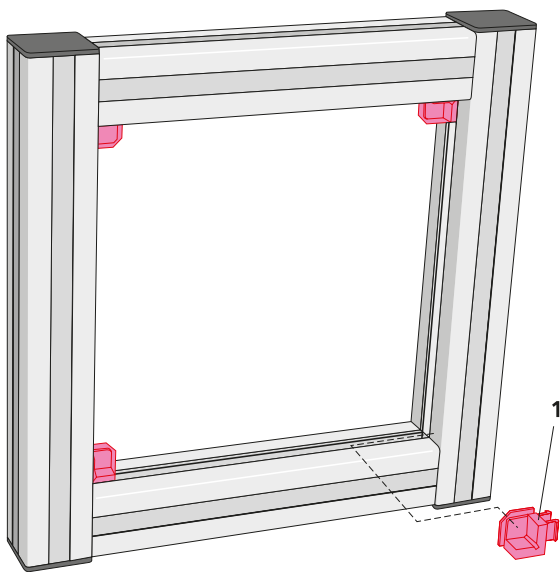
### Corner piece



Code No.	lot size	A	B	C	D
40185651	4, 8, 12... pcs	4 or 6	4	17	17

**Assembly description:**

1. Insert the corner piece base unit (1) into each corner.
  2. Cut framing profile (2) and press it into the profile slots.
  3. Insert panel (3) and fix with 2 corner piece covers (4) in diagonally opposite corners.
  4. Press in the cover strip of the framing profiles.
  5. Press in the remaining corner piece covers.
- All components can be undone if necessary, so that damaged panels or panes can be replaced without difficulty.



## Functional profiles

# Panels and accessories

### 2-piece framing profile Used for retrofitting panels

- Used for retrofitting panels
- The aluminium bottom is designed to take panel thicknesses of 4, 6, 8 or 10 mm. A plastic top serves as a sealing strip and protects against dust and splashes.

#### Material:

Aluminium profile bottom, black plastic profile top (with soft PVC on the sealing strips)

#### Profile cut length:

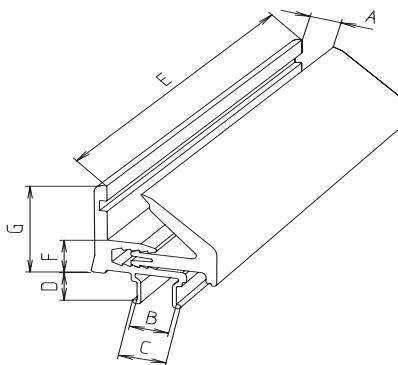
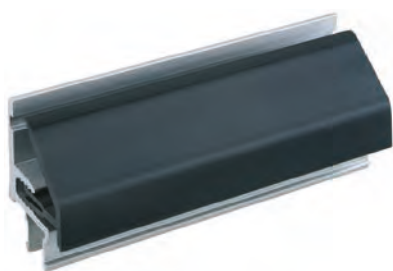
Frame internal dimension -56 mm (if corner pieces are used)

#### Panel cut length:

Frame internal dimension -11.5 mm all-round.

#### Assembly description:

See page 277



Code No.	Type	To slot geom.	A	B	C	D	E <sub>Max</sub>	F	G
4010571	Cut to size	40	4,6,8,10	9.2	11.4	6.8	2000	10	26
4010572	Bar	40	4,6,8,10	9.2	11.4	6.8	2000	10	26

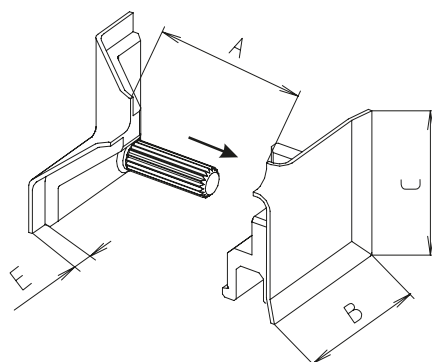
### Order instruction:

- Purchase only in lot sizes and a multiple of that see product table below

- **Material:** Black plastic

- **Assembly description:**  
See page 277

### Corner piece



Code No.	lot sizes	Slot geometry	A	B	C	E
40185661	4, 8, 12... pcs	40	4-10	31	31	5



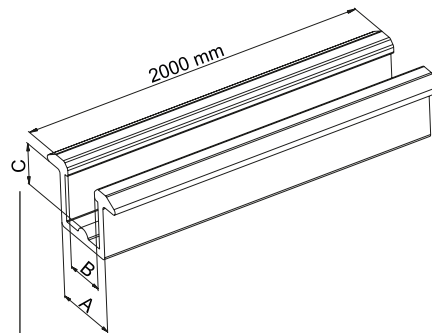
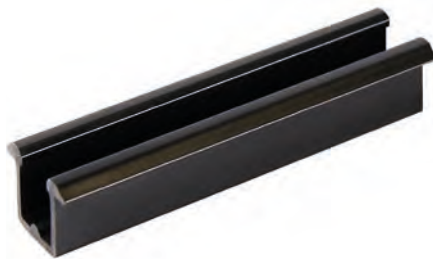


## Embedding U-profile

- Panels with a thickness of 6 mm can be embedded in the slots with the plastic profile.
- The embedding U-profiles are slid into the slot before assembly.

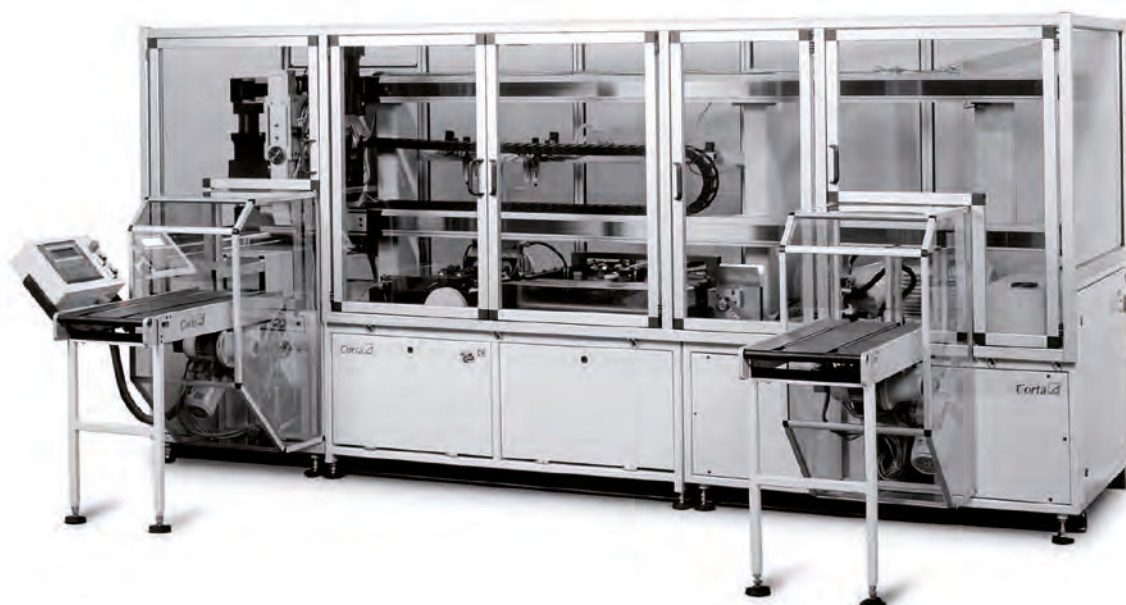
**Material:** Black plastic

**Panel cut length:**  
Frame internal dimension +6 mm all-round.



equals insertion depth

Code No.	Type	To slot geometry	A	B	C
4010575	Bar	30 + 40	10	6	6



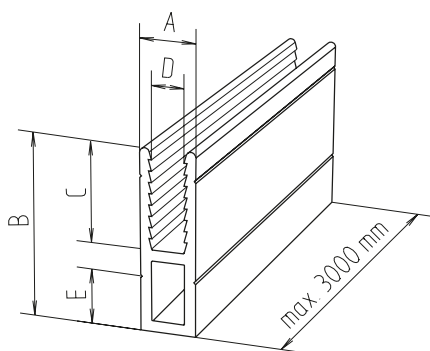
## Functional profiles

# Panels and accessories

### Frame profile

- Takes wire meshes (up to 30x30x3) and panels  
**Material:** Aluminium

**Panel cut length:**  
 Frame internal dimension -7 mm  
 (with 30 slot geometry -10 mm, see page 178) all-round, for fixing in the slot.



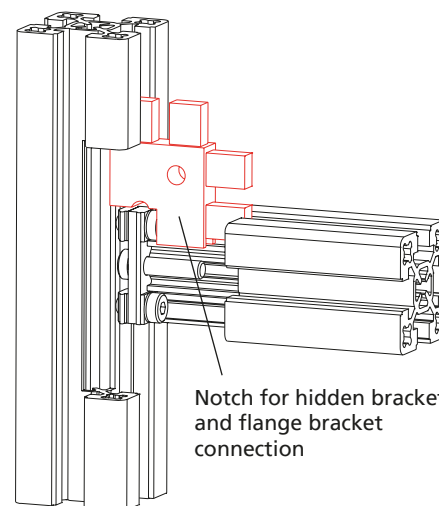
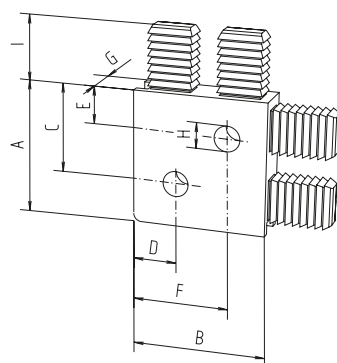
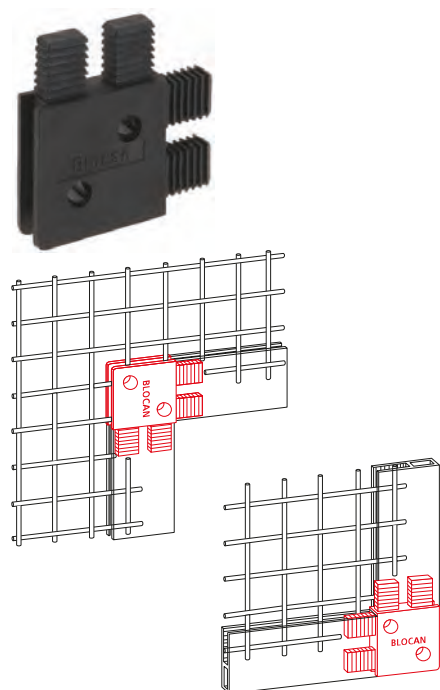
Code No.	Type	A	B	C	D	E
4015562	Cut to size	10	33	18	5.8	10
4015560	3m bar	10	33	18	5.8	10

**Order instruction:**

- Purchase only in lot sizes and a multiple of that see product table below

**Frame corner joint**

- Connection element for the frame profile

**Material: Black plastic**


Code No.	lot sizes	A	B	C	D	E	F	G	H	I
4010565	4, 8, 12... pcs	34	34	23	11	10	24	10	6.5	15
4000566	With notch for 30 slot geometry (see diagram above)									
4010566	With notch for 40 slot geometry (see diagram above)									

## Functional profiles

# Panels and accessories

### Profile seal

Version for 2-sided sealing

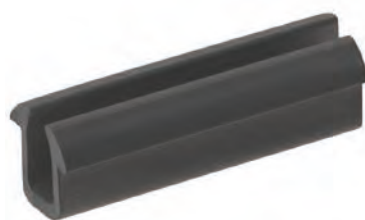


- Fixing panels in the profile slot

**Assembly:** Ideally, the seal is first laid around the panel and then placed into the profile slot.

**Material:** SBR, 60 Sh, black

**Panel cut length:**  
Frame internal dimension +6 mm all-round.



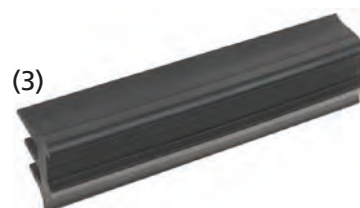
Code No.	Sealing	Slot geometry	length
401851510000	2-sided	40	10 m
401851560000			60 m

Version for 1-sided and 2-sided sealing



**Assembly:** Insert the panel into the profile slot. Then press the profile seal into the slot by hand or using a blunt object.

**Material:** Black EPDM



Code No.	See figure	Sealing	Slot geometry	Length	
4018513010000	1	1-sided	40	10 m	
4018513050000				50 m	
4018513150000				150 m	
421857110000	2		30, 40	10 m	
4218571150000				50 m	
4218571100000				100 m	
401851410000	1			40	10 m
401851450000					50 m
4018514100000					100 m

\*The clampable wall thickness is reduced by 2 mm (see p. 427)



## Profile seals for panel elements Mounting options

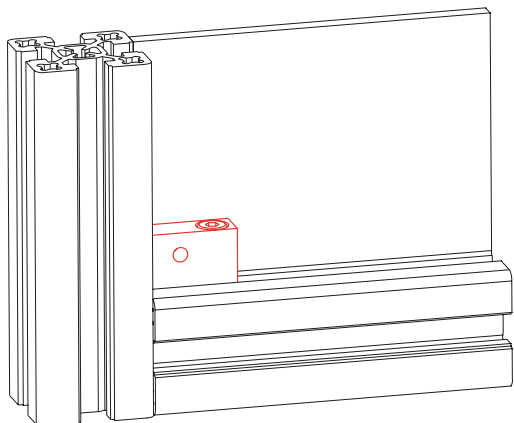
Profile	Version	Panel thickness [mm]								Seal	Example	Code No.
		10	8	6	5	4	3	2	1			
KL-40	without seal (0-6)mm and (4-10)mm	X	X	X	X	X	X	X	X	-		-
	(See figure 3) Profile seal 1-sided for panel thickness 6mm (1-3)mm and (4-8)mm		X	X	X	X	X	X	X			421857110000 421857150000 42185711000000
KL-30	Without seal			X	X	X	X			-		-
	(See figure 3) Profile seal 1-sided for panel thickness 6mm				X	X	X	X				421857110000 421857150000 42185711000000
ESP-40	(See figure 3) Profile seal 1-sided for panel thickness 6mm				X	X						421857110000 421857150000 42185711000000
ESP-30	(See figure 3) Profile seal 1-sided for panel thickness 6mm						X					421857110000 421857150000 42185711000000
Slot geometry 40	Without seal	X								-		-
	Profile seal 2-sided for panel thickness 6mm			X	X							401851510000 401851560000
	(See figure 2) Profile seal 1-sided for panel thickness 6mm			X	X	X						401851410000 401851450000 40185141000000
	(See figure 1) Profile seal 1-sided for panel thickness 2-4mm					X	X	X				4018513010000 4018513050000 40185130100000
	(See figure 2) Profile seal 1-sided for panel thickness 6mm mounted on both sides							X				2 x 401851410000 2 x 401851450000 2 x 40185141000000

## Functional profiles

# Panels and accessories

## Block joint

- For fixing panels to profiles



### Order instruction:

- Purchase only in lot sizes and a multiple of that see product table below

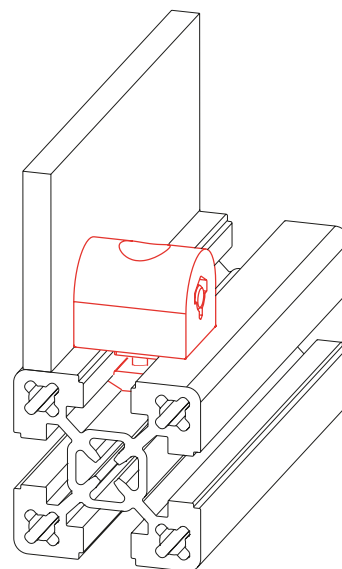
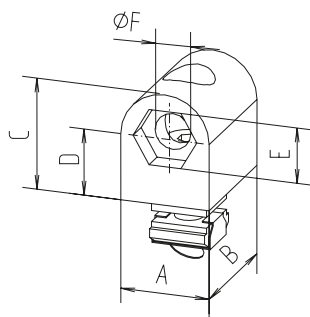
### Material:

Black plastic, galvanised steel parts

### Includes:

Complete fixing set for profile assembly.

## Block joint -L-

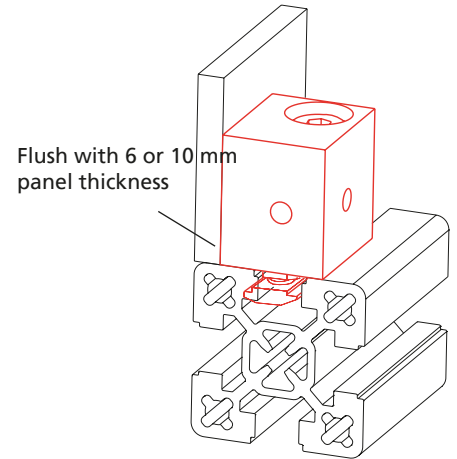
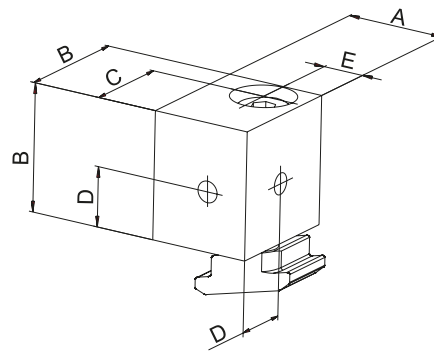


										[mm]
Code No.	Type	lot sizes	Slot geometry	A	B	C	D	E	F	
4008122	Block joint -L-	–	30	20	24	20	10	8	5.5	
4018122	Block joint -L-	–	40	20	24	20	10	8	5.5	
4004131	Fixing screw for panel	10, 20, 30... pcs	Wall thickness 2-8 mm	Socket head button screw M5x30 ISO 7380						

### Block joint -G-

**Material:**  
Vibration finished aluminium,  
galvanised steel parts

**Includes:**  
Complete fixing set for profile  
assembly.



[mm]

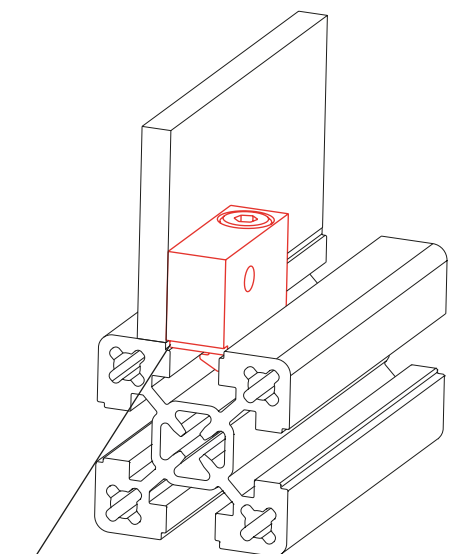
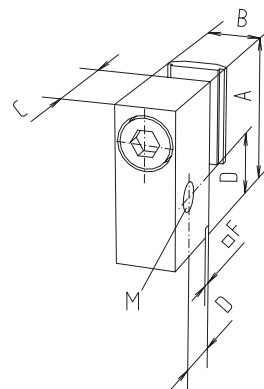
Code No.	Type	Slot geometry	A	B	C	D	E
4015121	M6	40	24	30	22	14	10
4025122	M8	40	24	30	22	14	10
4085121	M6 for profile 50	40	34	30	22	14	15
4085122	M8 for profile 50	40	34	30	22	14	15

### Block joint -K-

**Material:**  
Vibration finished aluminium,  
galvanised steel parts

**Includes:**  
Complete fixing set for profile  
assembly.

The insertion depth in the profile  
is 1.5 mm.



Insertion depth

[mm]

Code No.	Type	Slot geometry	A	B	C	D	F	M
4005123	M6	30	32	12	20	12.5	2	M6
4015123	M6	40	32	12	20	12.5	2	M6

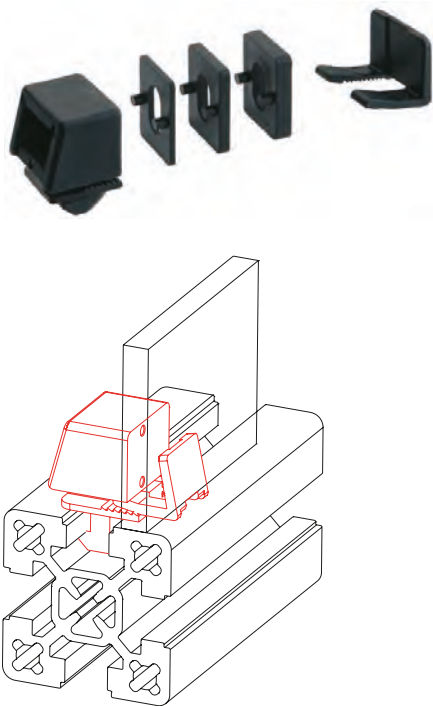
## Functional profiles

# Panels and accessories

### Order instruction:

- Purchase only in lot sizes and a multiple of that see product table below

### Vario-Quick holding block R



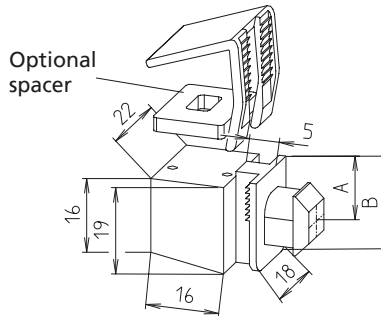
- For retrofitting a wide variety of panels without screws in an existing profile structure
- Fixation by means of toothed snap-in clips. Spacers allow for different distances from the profile edge

**Clamping range for panels:**  
1-10 mm.

**Panel cut length:**  
Frame internal dimension -6 mm all-round.

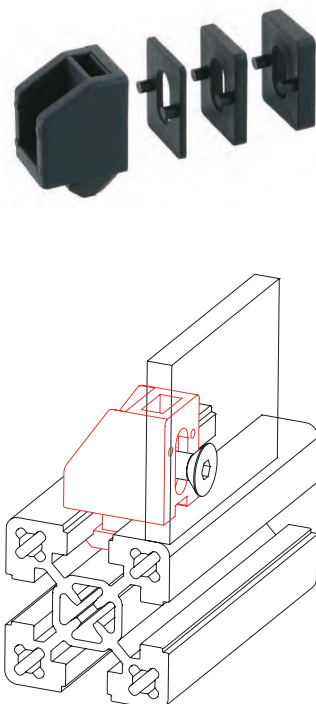
**Material:** Black plastic

**Includes:**  
1 pack of 10



Code No.	Type	lot sizes	Version	[mm]	
				A	B
40081231	Holding block R	10, 20, 30... pcs	30 slot geometry	5.5	20
40181231	Holding block R	10, 20, 30... pcs	40 slot geometry	8.5	20
40081321	Spacer R	10, 20, 30... pcs	2 mm	-	-
40081331	Spacer R	10, 20, 30... pcs	3 mm	-	-
40081351	Spacer R	10, 20, 30... pcs	5 mm	-	-

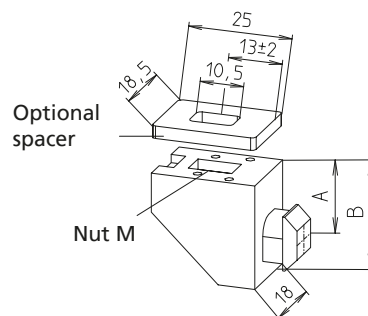
### Vario-Quick holding block S



- For retrofitting a wide variety of panels in an existing profile structure
- The panel is screwed to the holding block.

• Spacers allow for different distances from the profile edge

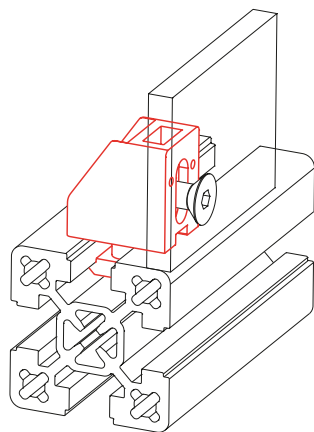
**Material:** Black plastic  
Galvanised nut



Code No.	Type	lot sizes	Version	[mm]		
				A	B	M
40081641	Holding block S	10, 20, 30... pcs	30 slot geometry	5	18	M4
40181641	Holding block S	10, 20, 30... pcs	40 slot geometry	10	25	M4
40081241	Holding block S	10, 20, 30... pcs	30 slot geometry	5	18	M6
40181241	Holding block S	10, 20, 30... pcs	40 slot geometry	10	25	M6
40181321	Spacer S/L	10, 20, 30... pcs	2 mm	-	-	-
40181331	Spacer S/L	10, 20, 30... pcs	3 mm	-	-	-
40181351	Spacer S/L	10, 20, 30... pcs	5 mm	-	-	-



## Vario-Quick holding block L

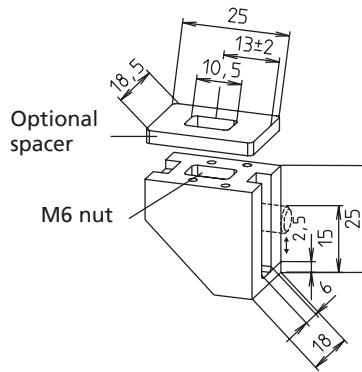


- For fixing various panels in an profile structure.
- The panel is screwed to the holding block.
- One fixing set connects one profile. The slot allows different panel thicknesses to be fixed without spacers.

**Material:** Black plastic, galvanised nut

**Includes:**  
1 pack of 10

The Order No. includes one complete fixing set (socket head cap screw, slot stone -F-) for mounting on profile

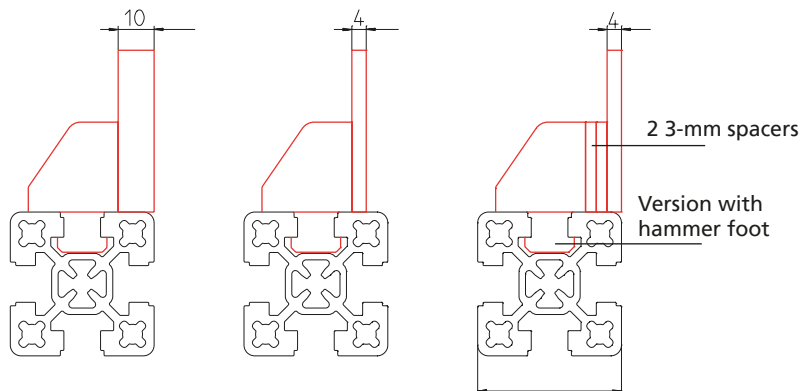


[mm]

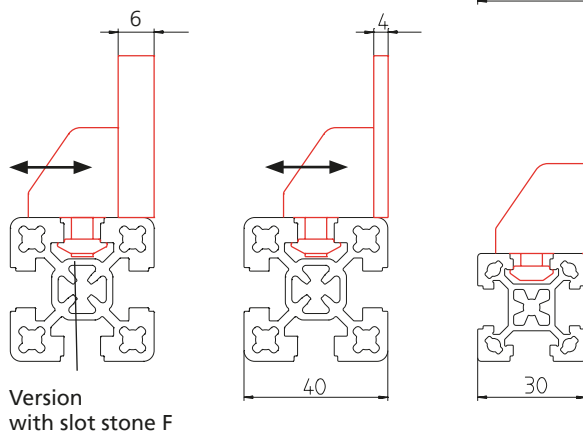
Code No.	Type	lot sizes	Version
40081261	Holding block L	10, 20, 30... pcs	30 slot geometry
40181261	Holding block L	10, 20, 30... pcs	40 slot geometry
40181321	Spacer S/L	10, 20, 30... pcs	2 mm
40181331	Spacer S/L	10, 20, 30... pcs	3 mm
40181351	Spacer S/L	10, 20, 30... pcs	5 mm

## Application examples:

- **Vario-Quick holding block R/S**  
Profile 40 combined with panel thickness 4 and 10 mm. Compensation using spacers (choice of 2, 3 or 5 mm)



- **Vario-Quick holding block L:**  
Profile 40 combined with panel thickness 4 and 6 mm. Compensation using slot – if necessary, using spacers (choice of 2, 3 or 5 mm)



## Functional profiles

# Panels and accessories

### Order instruction:

- Purchase only in lot sizes and a multiple of that see product table below

- For fixing cables and hoses
- It is possible to insert it into the profile slot retrospectively

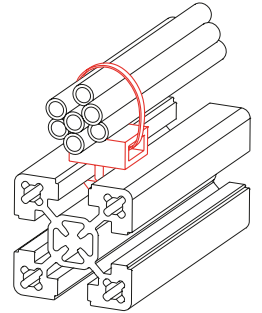
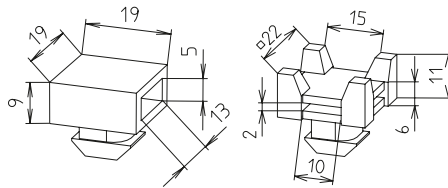
**Material:** Black plastic

## Vario-Quick holding block K/KK

Type K



Type KK

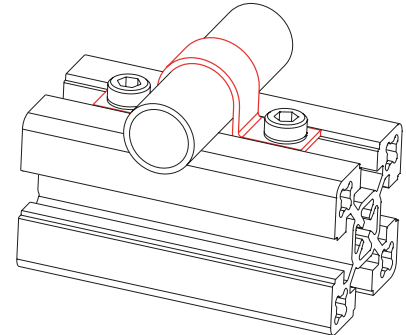
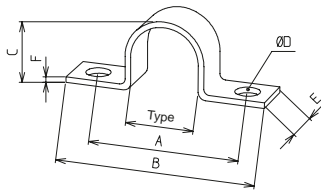


Code No.	Type	lot sizes	Version
40081251	Holding block K	10, 20, 30... pcs	30 slot geometry
40181251	Holding block K	10, 20, 30... pcs	40 slot geometry
40181271	Holding block KK	10, 20, 30... pcs	40 slot geometry

## Tube clamp

- For fixing tubes, hoses and cables

**Material:** Stainless steel, galvanised fixing set



[mm]

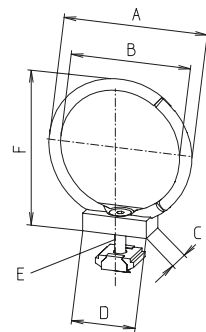
Code No.	Type	lot sizes	A	B	C	D	E	F
40105401	Ø6	10, 20, 30... pcs	28	41.5	6.8	6.5	12	1
40105411	Ø8	10, 20, 30... pcs	28	41.5	8.5	6.5	12	1
40105421	Ø10	10, 20, 30... pcs	33	46	10.5	6.5	12	1
40105431	Ø12	10, 20, 30... pcs	33	46	13	6.5	12	1
40105441	Ø14	10, 20, 30... pcs	35	48	15	6.5	12	1
40105451	Ø18	10, 20, 30... pcs	40	53	19.5	6.5	12	1.5
40105461	Ø20	10, 20, 30... pcs	40	53	21.2	6.5	12	1.5
40105471	Ø21.3	10, 20, 30... pcs	40	53	22.5	6.5	12	1.5
40105481	Ø27	10, 20, 30... pcs	47	60	28	6.5	12	1.5
<b>Fixing set (for 10 tube clamps)</b>								
40005491	30 slot geometry	10, 20, 30... pcs	-	-	-	-	-	-
40105491	40 slot geometry	10, 20, 30... pcs	-	-	-	-	-	-

## Vario-Quick cable bracket

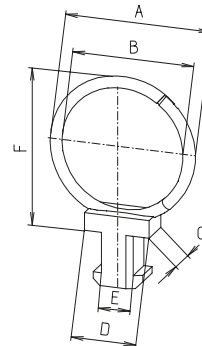
- For routing cables and hoses
- Simply screwed into the slot

- Can be opened and reused without any problem

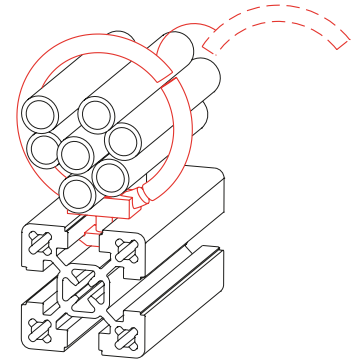
**Material:** Black plastic



Slot stone (N) version



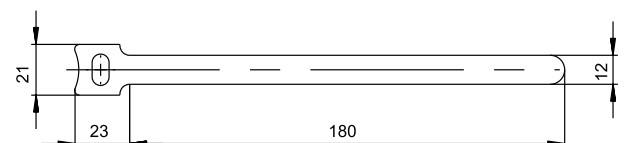
Hammer foot (HF) version



[mm]

Code No.	Type	lot sizes	Slot geometry	A	B	C	D	E	F
40081401	15 HF	10, 20, 30... pcs	30	28.5	17	10	19	9.5	28.5
40181401	15 HF	10, 20, 30... pcs	40	28.5	17	10	19	9.5	28.5
40081441	15 N	10, 20, 30... pcs	30	28.5	17	12	20	M 5	28.5
40181521	15 N	10, 20, 30... pcs	40	28.5	17	12	20	M 5	28.5
40081411	25 HF	10, 20, 30... pcs	30	36.5	25	10	19	9.5	36.5
40181411	25 HF	10, 20, 30... pcs	40	36.5	25	10	19	9.5	36.5
40081451	25 N	10, 20, 30... pcs	30	36.5	25	12	20	M 5	36.5
40181531	25 N	10, 20, 30... pcs	40	36.5	25	12	20	M 5	36.5
40081421	35 HF	10, 20, 30... pcs	30	47.5	35	10	19	9.5	47.5
40181421	35 HF	10, 20, 30... pcs	40	47.5	35	10	19	9.5	47.5
40081461	35 N	10, 20, 30... pcs	30	47.5	35	12	20	M 5	47.5
40181541	35 N	10, 20, 30... pcs	40	47.5	35	12	20	M 5	47.5
40081431	45 HF	10, 20, 30... pcs	30	56.5	45	10	19	9.5	56.5
40181431	45 HF	10, 20, 30... pcs	40	56.5	45	10	19	9.5	56.5
40181551	45 N	10, 20, 30... pcs	40	56.5	45	12	20	M 5	56.5

## Cable straps with velcro



Code No.	Scale of pack quantities
91815	5, 10, 15... piece

## Functional profiles

# Panels and accessories

### Sliding door profile

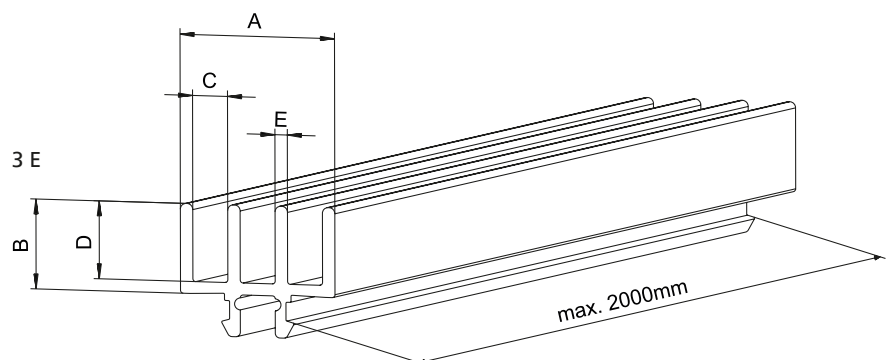
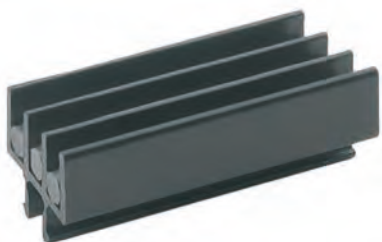
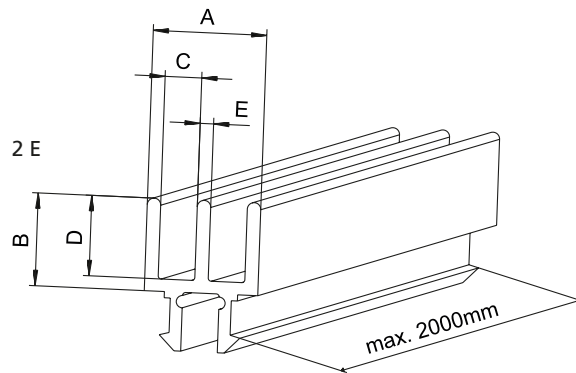
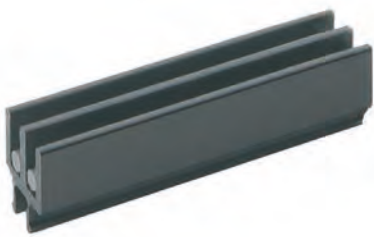
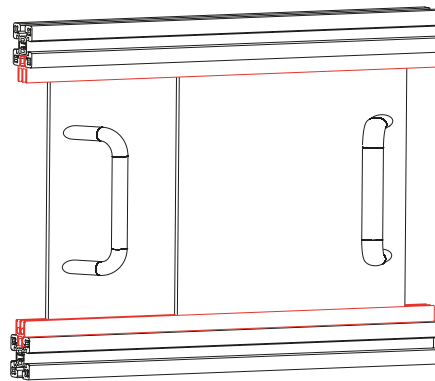
- The sliding door profile is inserted into the longitudinal slot of the BLOCAN® profile. Then the bead moulding is placed in the bottom sliding door profile. As illustrated in the diagram, the panels can now be inserted.

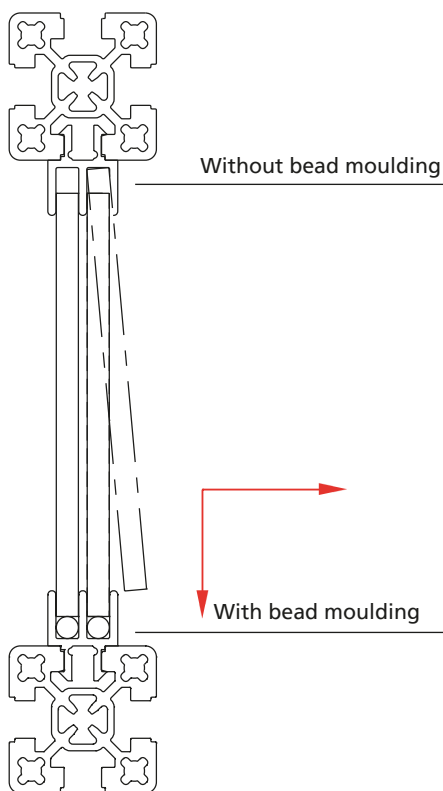
**Material:** Black plastic

**Panel cut length:**

Frame internal height -17 mm for 6 mm panels and -22 mm for 8 mm panels.

For sliding doors with a profile frame, the sliding piece on page 278 or the roller module in the safety guard section on page 458 must be used.





								[mm]
Code No.	Type	Slot geometry	A	B	C	D	E	
<b>Without bead moulding</b>								
4000553	2E, cut to size	30	19	15	6,2	12,6	2	
4000551	2E, bar							
4000593	3E, cut to size	30	27,4	15	6,2	13	2,2	
4000591	3E, bar							
4010555	2E, cut to size	40	18,6	15	6	13	2,2	
4010551	2E, bar							
4010557	2E, cut to size	40	28	17,5	8,3	15	6	
4010556	2E, bar							
On request	3E, cut to size	40	27,4	15	6,2	13	2,2	
On request	3E, bar							
<b>With bead moulding</b>								
4000552	2E, cut to size	30	19	15	6,2	12,6	2,2	
4000550	2E, bar							
4000592	3E, cut to size	30	27,4	15	6,2	13	2,2	
4000590	3E, bar							
4010552	2E, cut to size	40	18,6	15	6	13	2,2	
4010550	2E, bar							
4010554	2E, cut to size	40	28	17,5	8,3	15	6	
4010553	2E, bar							
On request	3E, cut to size	40	27,4	15	6,2	13	2,2	
On request	3E, bar							

**Functional profiles**

# Feet, castors and accessories

## Versions



Foot -plastic-



Levelling foot



Eye bolt



Connecting plate  
for foot



Foundation bracket  
-steel-



Foundation bracket  
-aluminium-



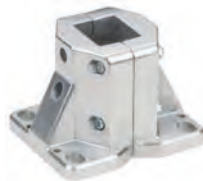
Base plate



Clamp FKV / FV



Base bracket



Base clamp FVV



Steering roller



Fixed castor



Foot rest FSH



## Table of contents

<b>Feet, castors and accessories</b>	Foot -plastic- ..... p. 294
	Levelling foot ..... p. 295
	Eye bolt..... p. 295
	Connecting plate for foot..... p. 296
	Foundation bracket -steel- ..... p. 298
	Foundation bracket -aluminium- ..... p. 299
	Base plate ..... p. 300
	Clamp FKV / FV ..... p. 301
	Base bracket ..... p. 301
	Base clamp FVV ..... p. 302
	Steering roller..... p. 304
	Fixed castor..... p. 305
	Foot rest FSH..... p. 306

## Functional profiles

# Feet, castors and accessories

### Foot –plastic–

- Visually attractive
- Alternative to conventional levelling feet
- Height adjustment without tools

**Material:** Black plastic

**Includes:**

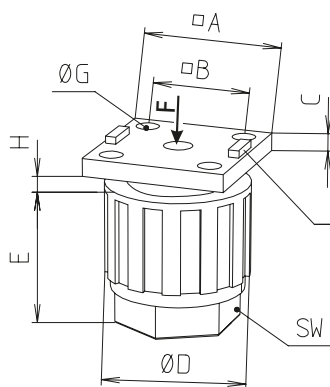
Complete foot with fastenings (galvanised) for connection to one profile.



Fixing in the slot



Fixing to the face



H = height adjustment

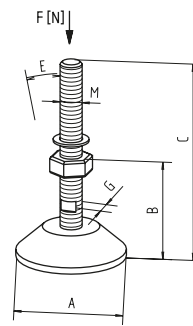
Centring pin (if necessary, can be removed with a pliers)

[mm]

Code No.	Slot geometry	A	B	C	D	E	G*	Max. H	Wrench size	F [N]
<b>Fixing in the slot and to the face of the profile</b>										
4008301	30	30	20.5	5	30	29.5	4.5	15	22	1000
4018301	40	40	28	5	40	39.5	6.6	23	30	1200



## Levelling foot

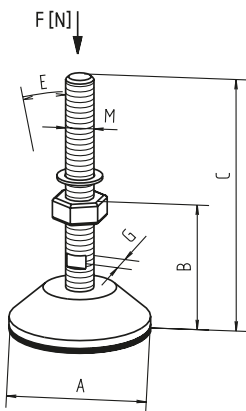


**Material:**  
Galvanised steel,  
black plastic pivot plate.  
Fixation with foot  
connecting plates.  
See page 296.

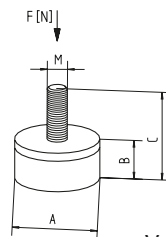
[mm]

Code No.	Type	Version	A	B	C	M	E	G	F [N]
4006304	M8		47	20	52	M8	15°	12	1500
4016302	M10		50	25	93	M10	15°	12	3000
4016303	M12		80	24	117	M12	15°	12	7000
4026301	M16	Corrosion-resist.	80	29	156	M16	15°	13	10000
4046301	M20		60	39	185	M20	15°	16	10000
4696301	M20		100	39	185	M20	15°	16	10000
4696302	M20		123	61	207	M20	15°	16	20000

## Levelling foot with vibration absorber



From M10

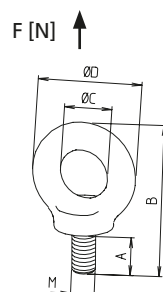


Version: M6, M8

**Material:**  
Galvanised steel  
Black plastic pivot plate.  
Fixation with foot  
connecting plates.  
See page 296

Code No.	Type	Version	A	B	C	M	E	G	F [N]
4006311	M6		25	12	31	M6	-	-	520
4016311	M8		30	15	35	M8	-	12	760
4016312	M10		50	25	94	M10	15°	12	3000
4016313	M12		80	40	119	M12	15°	12	7000
4026311	M16	Corrosion-resist.	80	32	159	M16	15°	13	10000
4046311	M20		60	42	188	M20	15°	16	10000
4696311	M20		100	39	188	M20	15°	16	10000
4046312	M20		123	70	215	M20	15°	16	10000

## Eye bolt



**Material:** Galvanised steel  
C 15 fixation with foot  
connecting plates.  
See page 296

[mm]

Code No.	Type	Version	A	B	C	D	M
4000300	M6	DIN 580	12	39	13,5	28	M6
4000301	M8	DIN 580	13	49	20	36	M8
4000302	M10	DIN 580	17	62	25	45	M10
4000303	M12	DIN 580	20,5	73,5	30	54	M12

## Functional profiles

# Feet, castors and accessories

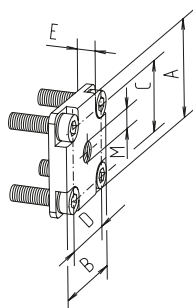
### Connecting plate for levelling feet



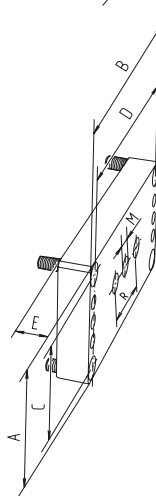
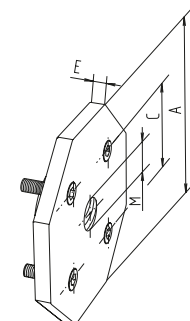
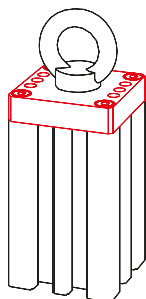
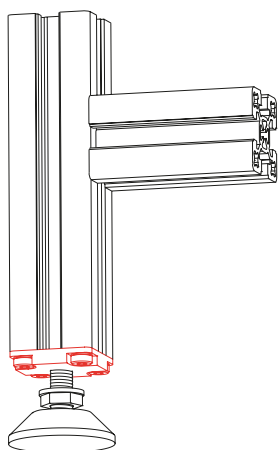
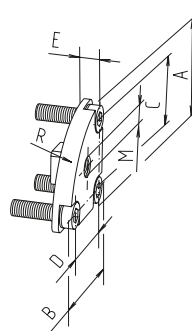
- Connecting plate with tapped hole for feet.
- Also suitable for taking eye bolts.

**Includes:**  
Connecting plate incl. fastenings

(1) Die-cast aluminium



(2) Aluminium



For feet and eye bolts, please see page 295

(3) Gravity die-cast aluminium

(4) Die-cast aluminium

[mm]										
Code No.	Type	Connec-tion	See figure	A	B	C	D	E	M	R
4006401	W/KLW 30-30	M6	2	30	30	-	-	6	M6	R 29
4006402	W/KLW 30-45	M6	2	30	30	-	-	6	M6	R 29
4006403	W/KLW 30-60	M6	2	30	30	-	-	6	M6	R 29
4006404	W/KLW 30-90	M6	2	30	30	-	-	6	M6	R 29
4034404	F-GG 40x80	M8	4	40	80	28	68	7	M8	-

[mm]

Code No.	Type	Connec- tion	See figure	A	B	C	D	E	M	R
4034402	F-GG 40x80	M10	4	40	80	28	68	7	M10	-
4034403	F-GG 40x80	M12	4	40	80	28	68	7	M12	-
4016401	W/KLW 40-30	M8	2	40	40	-	-	8	M8	R 37
4016402	W/KLW 40-45	M8	2	40	40	-	-	8	M8	R 37
4016403	W/KLW 40-60	M8	2	40	40	-	-	8	M8	R 37
4016404	W/KLW 40-90	M8	2	40	40	-	-	8	M8	R 37
4085401	F-G 50x50/F-GG 50x50/F-2G 50x50/F-3G 50x50	M8	1	50	50	38	38	7	M8	-
4085402	F-G 50x50/F-GG 50x50/F-2G 50x50/F-3G 50x50	M10	1	50	50	38	38	7	M10	-
4224402	F-G 60x60/F-GG 60x60/F-2G 60x60/F-3G 60x60	M8	1	60	60	43/48	43/48	6.5	M8	-
4224403	F-G 60x60/F-GG 60x60/F-2G 60x60/F-3G 60x60	M10	1	60	60	43/48	43/48	6.5	M10	-
4044404	F-G 80x80/F-GG 80x80/F-2G 80x80/F-3G 80x80	M10	1	80	80	68	68	8	M10	-
4044405	F-G 80x80/F-GG 80x80/F-2G 80x80/F-3G 80x80	M12	1	80	80	68	68	8	M12	-
4044402	F-G 80x80/F-GG 80x80/F-2G 80x80/F-3G 80x80	M16	1	80	80	68	68	8	M16	-
4044403	F-G 80x80/F-GG 80x80/F-2G 80x80/F-3G 80x80	M20	1	80	80	68	68	8	M20	-
4054402	8x40	M16	3	97	-	45	-	8	M16	-
4054403	8x40	M20	3	97	-	45	-	8	M20	-

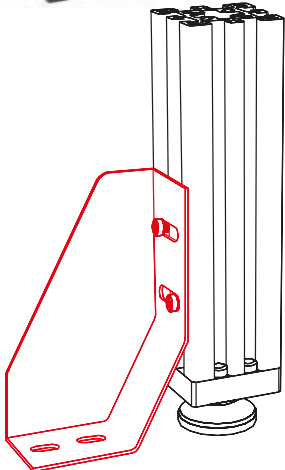
## Functional profiles

# Feet, castors and accessories

### Order instruction:

- Purchase only in lot sizes and a multiple of that see product table below

### Foundation bracket –sheet steel–

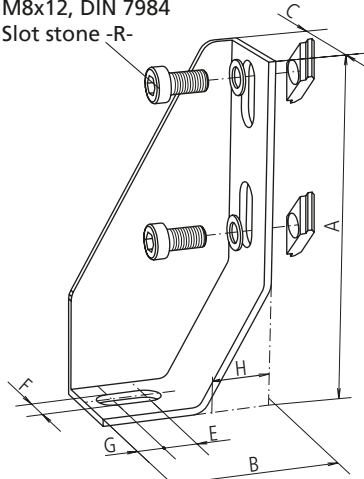


- For fixing frames, work tables and machines
- Foundation bracket can be retrospectively fixed to the profile with slot stone -R- see page 256

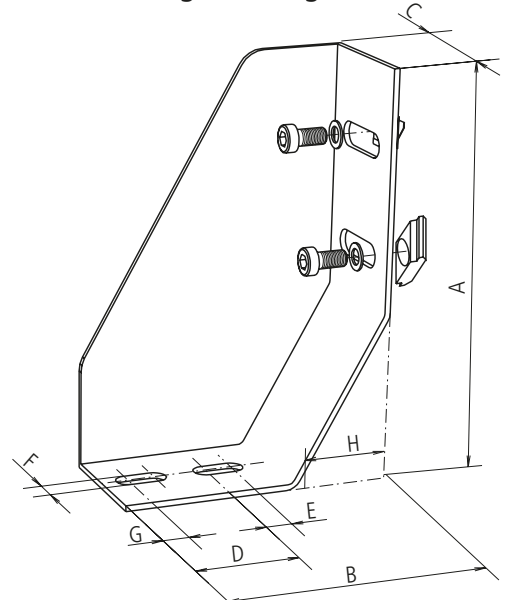
**Material:**  
Sheet steel St 37, 3 mm thick, black textured paint.

**Includes:** Complete set including fastenings

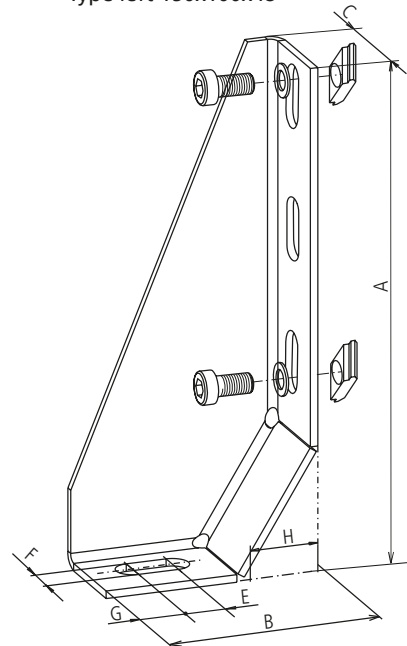
Socket head cap screw  
M8x12, DIN 7984  
Slot stone -R-



Type left 100x50x28



Type left 150x100x48



Type left 200x85x38

[mm]

Code No.	Type	A	B	C	D	E	F	G	H
4001300	left 100x50x28	100	50	28	–	10	9	8	18
4001301	right 100x50x28	100	50	28	–	10	9	8	18
4021300	left 150x100x48	150	100	48	40	10	9	10	32
4021301	right 150x100x48	150	100	48	40	10	9	10	32
4011306	left 200x85x38	200	85	38	–	19	9	16	30
4011305	right 200x85x38	200	85	38	–	19	9	16	30
Code No.	Type	lot sizes							
4016611	High performance anchor M8x110	4, 8, 12... pcs							



**Order instruction:**

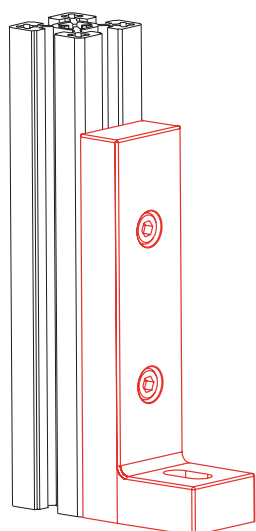
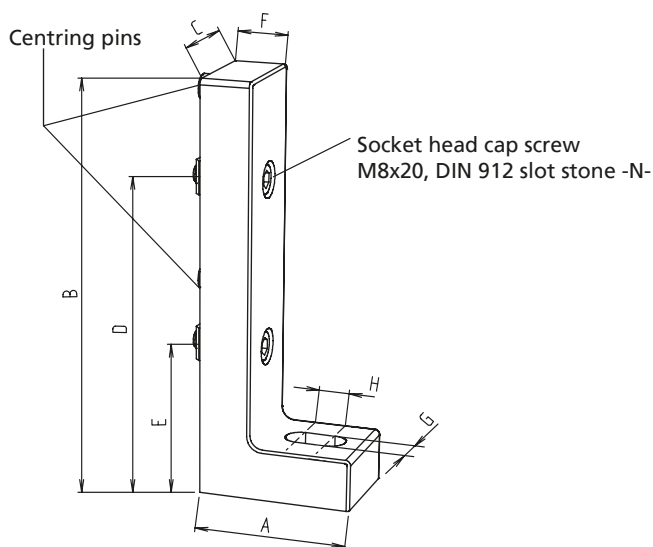
- Purchase only in lot sizes and a multiple of that see product table below

**Foundation bracket  
–aluminium–**

- For fixing frames, work tables and machines
- Angle bracket is fixed to the profile with slot stones -N-. See page 254

**Material:**  
Black powder-coated gravity die-cast aluminium

**Includes:** Complete set including fastenings



Code No.	Type	A	B	C	D	E	F	G	H
4011302	40 slot geometry	60	160	40	120	55	20	11	12

Code No.	Type	lot sizes
4016612	Floor fixing M8x115	4, 8, 12... pcs

## Functional profiles

# Feet, castors and accessories

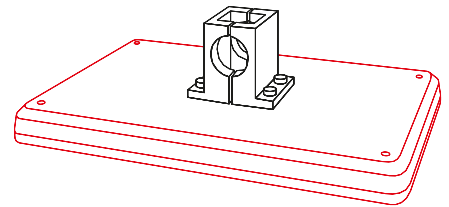
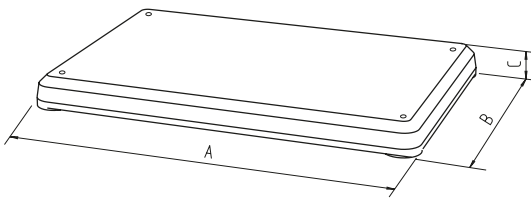
### Order instruction:

- Purchase only in lot sizes and a multiple of that see product table below

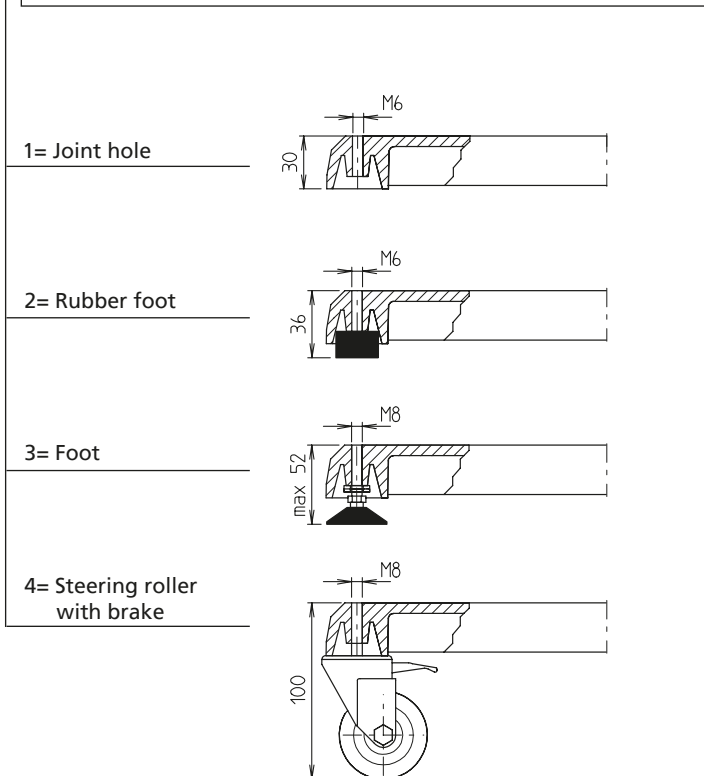


- Optionally available with hole, rubber foot, foot or steering roller
- Optional filling (steel plate) available to raise the overturning moment

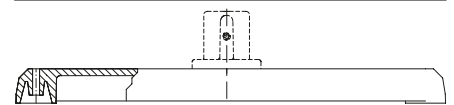
**Material:**  
Vibration finished gravity die-cast aluminium  
(powder-coating available on request)



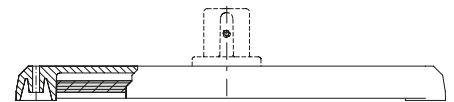
Code No.	Type	A	B	C
230 000 100 20	FP	375	250	30



\_ = Without filling, overturning moment 3 Nm



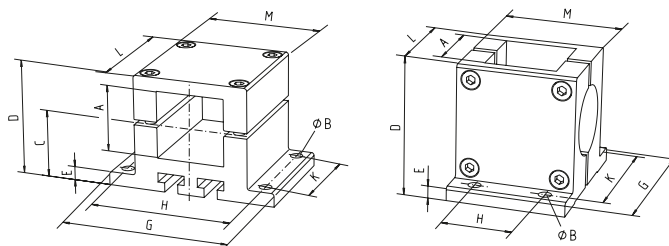
Y= Cavity with steel plate (m= 4.6 kg), Overturning moment 6 Nm



### Clamp



**Material:** Aluminium, stainless steel fixing  
For further clamping elements, please refer to the catalogue "Connecting Technology"

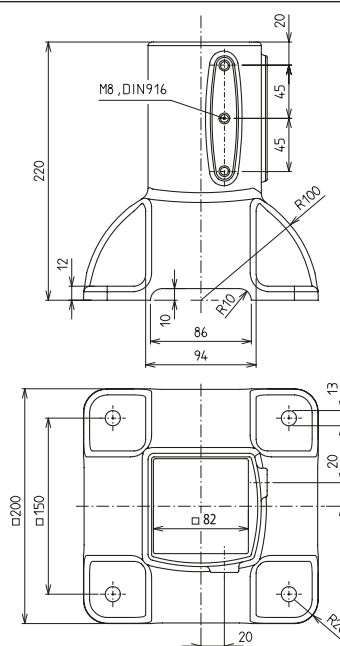


Code No.	Type	A	Ø B	C	D	E	G	H	K	L	M
52300005030	FKV 30	30.2	7	30	51	6	84	70	40	56	56
52400005030	FKV 40	40.3	7	40	68	8	97	83	54	68	68
52500005030	FKV 50	50.4	9	50	85	10	125	105	65	85	85
52600005030	FKV 60	60.3	9	62.5	111	12	145	120	80	105	105
52800005030	FKV 80	80.4	11	80	136	16	170	148	80	126	126
53300005030	FV 30	30.2	7	-	58	6	70	28	56	42	56
53400005030	FV 40	40.3	7	-	74	8	85	40	70	56	68
53500005030	FV 50	50.4	9	-	92	10	110	50	90	70	84
53600005030	FV 60	60.4	9	-	112.5	12	137	80	120	97	105
53800005030	FV 80	80.4	11	-	142	16	156	80	135	112	126

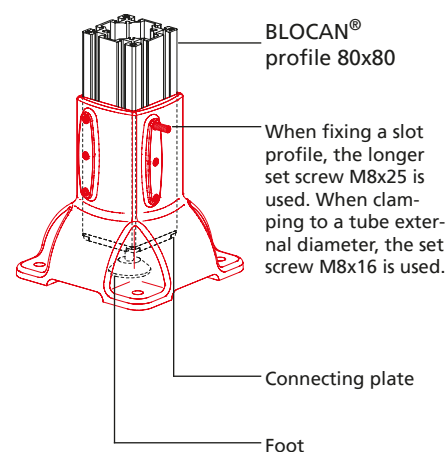
### Order instruction:

- Purchase only in lot sizes and a multiple of that see product table below

### Base bracket BAK-80



**Material:** Silver powder-coated gravity die-cast aluminium, stainless steel fixing



Code No.	Type	lot sizes	Version
4040501	Base bracket BAK-80	-	with set screw M8x25 DIN916-A
4016302	Levelling foot M10	-	Length 93 mm, plate Ø 50 mm
4019302	Levelling foot M10, corrosion-resistant	-	Length 93 mm, plate Ø 50 mm
4044404	Connecting plate for levelling foot	-	for BLOCAN profile S/F-80

Code No.	Type	lot sizes
4016611	High performance anchor M8x110	4, 8, 12... pcs
4016605	Set screws M8x16-A2 DIN EN ISO 4029	4, 8, 12... pcs

**Functional profiles**

# Feet, castors and accessories

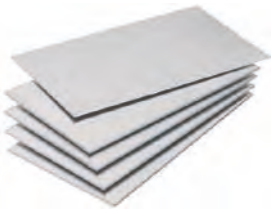
## Base clamp FVV



- Base clamp to take size 40 BLO-CAN® profiles or size 40 square tubes.
- Set screws can be used to compensate for unevenness. Supporting shims, placed under the foot, prevent the set screws from digging into the floor.

**Material:** ground finished die-cast aluminium, zinc plated fixing

## Supporting/Levelling shims

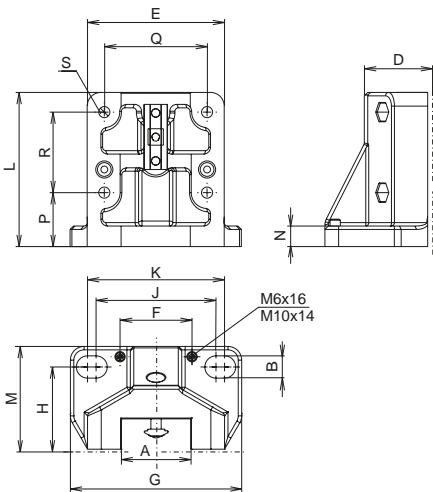


- The levelling shims give the foot clamp a full contact surface on uneven ground.

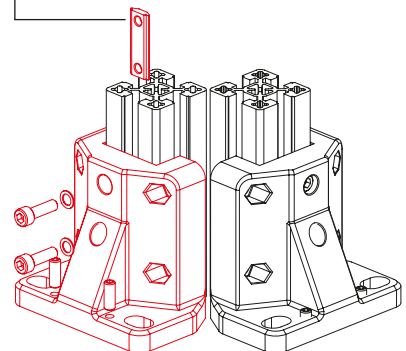
**Material:** aluminium

Code No.	Type	Includes
40143011	Levelling shims for FVV 40	4 1-mm shims, 1 0.5-mm shim

## FVV-NH



Clamping using slot stone -L-

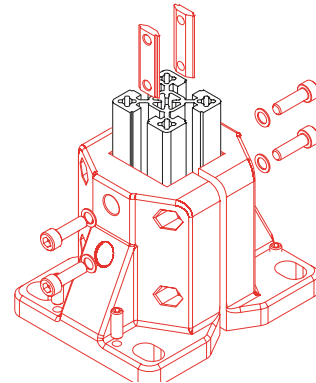
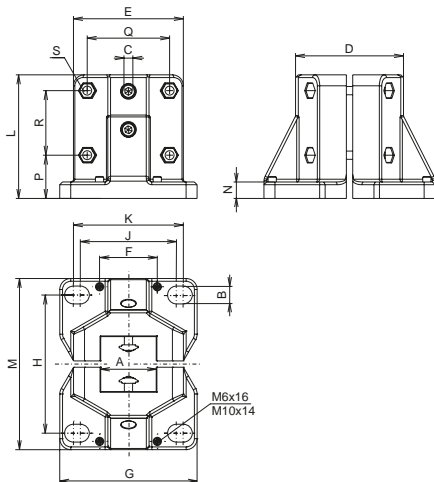


Code No.	Type	A	C	D	E	F	G	H	J	K	L	M	N	P	Q	R	S	Weight
4014310	FVV-NH 40	40.4	12.5	39.5	80	42	100	50	70	80	90	62.5	12	31.5	60	47	Ø6.5	399 g



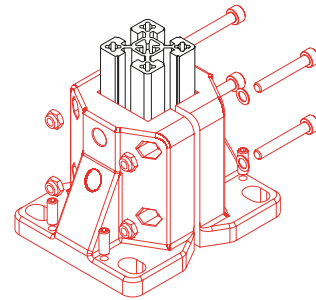
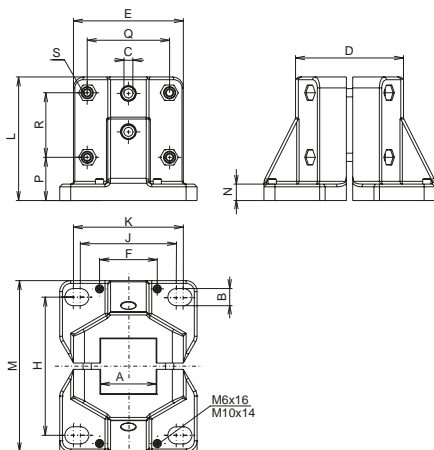


### FVV-N



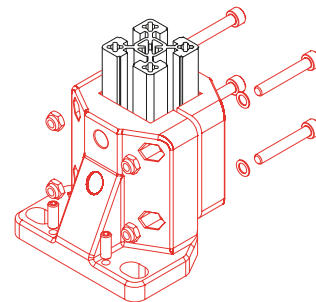
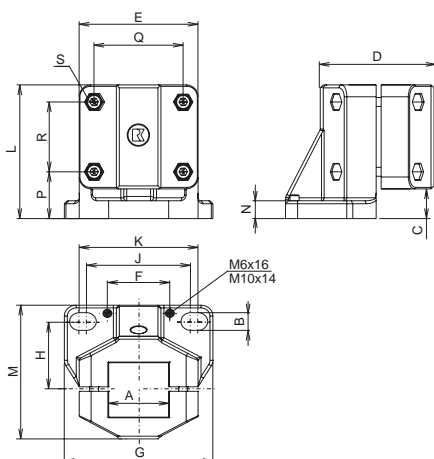
Code No.	Type	A	B	C	D	E	F	G	H	J	K	L	M	N	P	Q	R	S	Weight
4014311	FVV-N 40	40.4	12.5	6.5	79	80	42	100	100	70	80	90	125	12	31.5	60	47	M6x45	797 g

### FVV-S



Code No.	Type	A	B	C	D	E	F	G	H	J	K	L	M	N	P	Q	R	S	Weight
4014312	FVV-S 40	40.4	12.5	6.5	79	80	42	100	100	70	80	90	125	12	31.5	60	47	M6x45	805 g

### FVV-D



Code No.	Type	A	B	C	D	E	F	G	H	J	K	L	M	N	P	Q	R	S	Weight
4014313	FVV-D 40	40.4	12.5	20	75	80	42	100	50	70	80	90	98	12	31.5	60	47	M6x45	633 g

**Functional profiles**

# Feet, castors and accessories

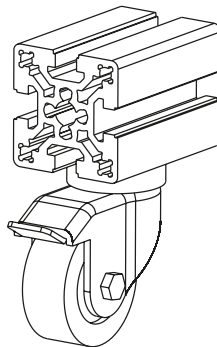
## Lockable steering roller

- The steering roller mobilises frames, tables and superstructures. It is available with a 1-hole fixing or with fixing plate. In addition, each version has a combined roller and swivel locking device. Both the roller and the swivel head have ball bearings, which ensures that they run smoothly even under load. The rollers are not electrically conductive.

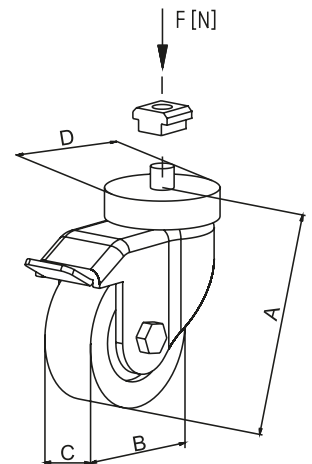
**Material:** Galvanised steel

**Includes:** Depending on the version, with connecting plate or slot stone.

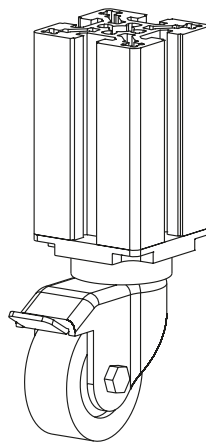
With slot stone



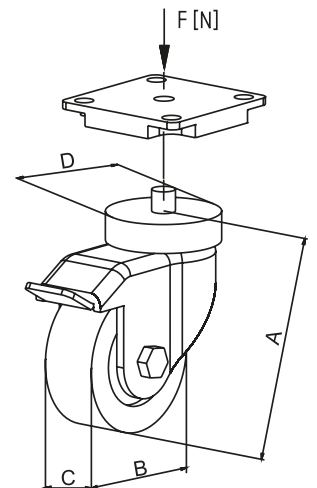
1



With connecting plate



2



[mm]

Code No.	Type	Suitable for:	A	B	C	D	Resist. F [N]
4016646	With slot stone	30 slot geometry (1)	70	50	20	39	400
4016648	With slot stone	40 slot geometry (1)	70	50	20	39	400
4086644	F-G 50x50/F-GG 50x50/F-2G 50x50/F-3G 50x50	F-profiles 50 (2)	70	50	20	39	400
4226644	F-G 60x60/F-GG 60x60/F-2G 60x60/F-3G 60x60	F-profiles 60-L (2)	100	75	25	39	600
4036644	F-GG 40x80	Profiles 40x80 (2)	70	50	20	39	400
4046644	F-G 80x80/F-GG 80x80/F-2G 80x80	Profiles 80 (2)	100	75	25	39	600
4046648	F-G 80x80/F-GG 80x80/F-2G 80x80	Profiles 80 (2)	133	100	32	53	900
4056644	8x40	Profiles 8x40 (2)	100	75	25	39	600

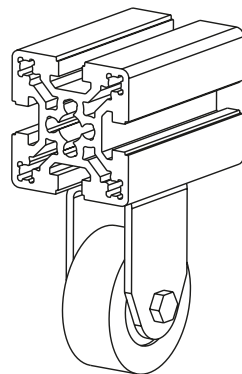
## Fixed castor

- The fixed castor is the ideal complement to the steering roller. Combining 2 fixed castors with steering rollers makes it easier to manoeuvre the superstructure. Fixed castors should be mounted on the front end. The rollers are not electrically conductive.

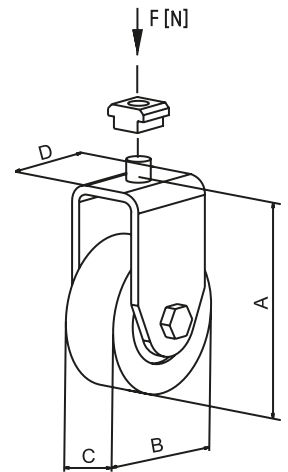
**Material:** Galvanised steel

**Includes:** Depending on the version, with connecting plate or slot stone.

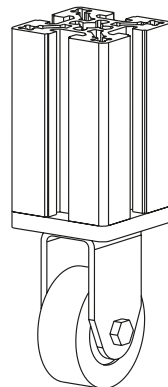
With slot stone



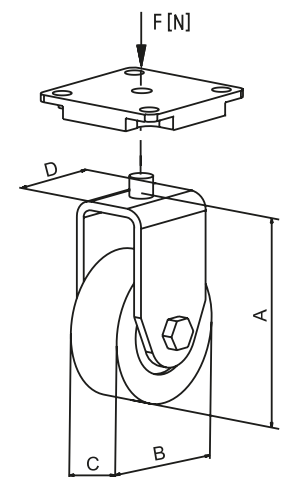
1



With connecting plate



2



[mm]

Code No.	Type	Suitable for:	A	B	C	D	Resist. F [N]
4006647	With slot stone	30 slot geometry (1)	70	50	20	34	400
4016647	With slot stone	40 slot geometry (1)	70	50	20	34	400
4086645	F-G 50x50/F-GG 50x50/F-2G 50x50/F-3G 50x50	F-profiles 50 (2)	70	50	20	34	400
4226645	F-G 60x60/F-GG 60x60/F-2G 60x60/F-3G 60x60	F-profiles 60-L (2)	100	75	25	34	600
4036645	F-GG 40x80	Profiles 40x80 (2)	70	50	20	34	400
4046645	F-G 80x80/F-GG 80x80/F-2G 80x80	Profiles 80 (2)	100	75	25	34	600
4046649	F-G 80x80/F-GG 80x80/F-2G 80x80	Profiles 80 (2)	133	100	32	53	900
4056645	8x40	Profiles 8x40 (2)	100	75	25	34	600

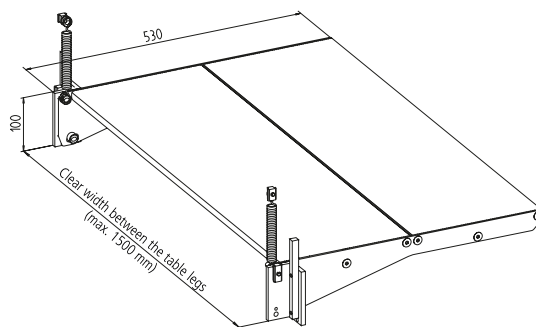
## Functional profiles

# Feet, castors and accessories

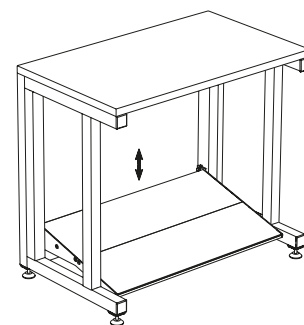
### Foot rest FSH

- Individual, infinitely variable adjustment to different persons
- Height adjustment without time-consuming assembling by means of spring adjustment
- By slightly lifting the tread the height of the system can be quickly adjusted and locks automatically when released

**Material:** Clear anodised extruded aluminium profile tread, polyamide plastic sliding pieces, galvanised steel parts



Application example



Code No.	Suitable for profile
4010642 _ _ _ _	All as of 40 slot geometry (except F-50 and special profiles)

Clear width [mm]



Functional profiles

# Fittings

## Versions



Door lock -KL type 2-



Butt hinge -aluminium-



Butt hinge -plastic-



Lift off hinge -aluminium-



Lift off hinge -plastic-



piano hinge



Lever cylinder lock



Ball catch



Magnetic lock



Magnetic lock universal



Ball catch universal



Slam Latch



Door stopper



Handle



Handle profile



Handle/Handrail



Safety switch  
AZ 15zvr



Safety switch  
AZM



## Table of contents

<b>Fittings</b>	Door lock -KL-.....	p. 310
	Butt hinge -aluminium- .....	p. 312
	Butt hinge -plastic-.....	p. 313
	Lift off hinge -aluminium- .....	p. 314
	Lift off hinge -plastic- .....	p. 311
	Piano hinge.....	p. 316
	Lever cylinder lock.....	p. 318
	Ball catch.....	p. 318
	Magnetic lock.....	p. 319
	Magnetic lock universal .....	p. 320
	Ball catch universal.....	p. 321
	Slam Latch.....	p. 322
	Door stopper .....	p. 323
	Handle.....	p. 323
	Handle profile .....	p. 324
	Handle/Handrail .....	p. 324
<b>Electrical accessories</b>	Safety switch AZ 15zvr .....	p. 326
	Safety switch AZM.....	p. 325

## Functional profiles

# Fittings

### Door lock -KL-

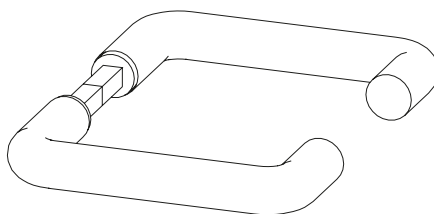
- Installation between two clamping profiles without additional profile machining
- Version available with door handle or panic lock

**Material:**  
Gravity die-cast aluminium,  
galvanised steel

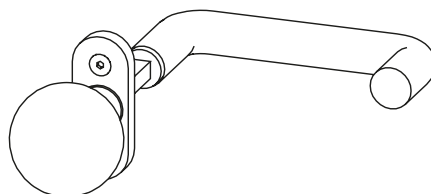
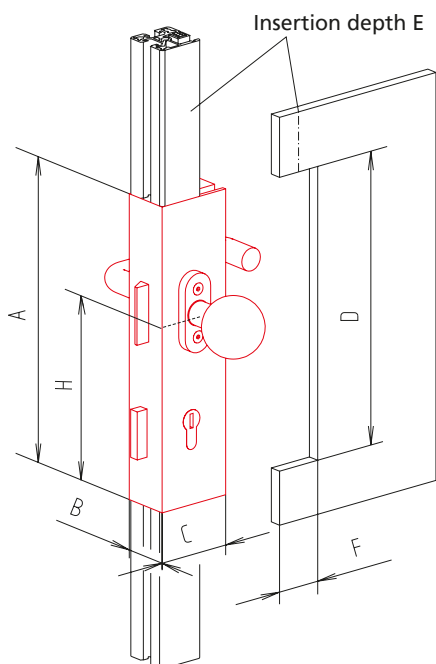
**Includes:**  
complete door lock with  
cylinder lock, handle set  
and fastenings



Sliding door version



Handle set  
with hinged door  
and sliding door



Handle set with  
hinged door with panic lock  
(one fixed knob,  
one door handle)

[mm]

Code No.	Version	A	B	C	D	E	F	H
4210630	For hinged door KL 40, right	255	40	65	242	15	32	161.5
4210631	For hinged door KL 40, left	255	40	65	242	15	32	161.5
4210632	For hinged door KL 40 with panic lock, right	255	40	65	242	15	32	161.5
4210633	For hinged door KL 40 with panic lock, left	255	40	65	242	15	32	161.5
4210636	For sliding door KL 40, right	255	40	65	242	15	32	132
4210637	For sliding door KL 40, left	255	40	65	242	15	32	132

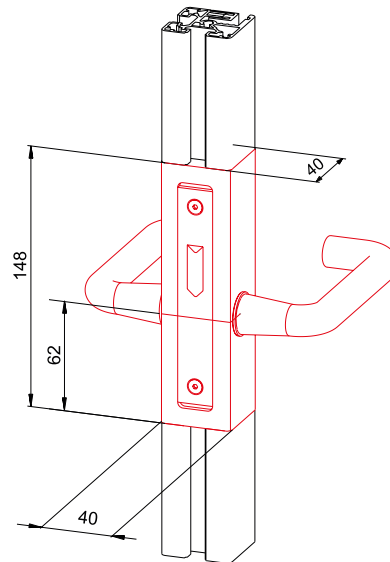




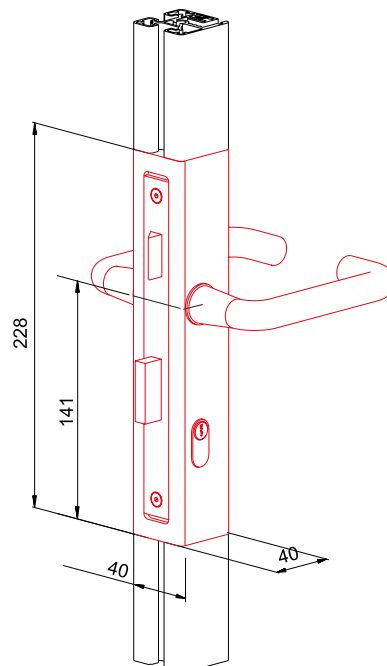
### Door lock Typ 2 - KL 40

- Installation between clamping profiles no additional required machining

**Material:** aluminium clear anodized, galvanised steel  
**Includes:** complete door lock with housing, handle set and fastenings



Code No.	Type
4215632	Door lock Typ 2 - KL 40 right without cylinder lock
4215633	Door lock Typ 2 - KL 40 left without cylinder lock



Code No.	Type
4215630	Door lock Type 2 - KL 40 right with cylinder lock
4215631	Door lock Typ 2 - KL 40 left with cylinder lock

## Functional profiles

# Fittings

## Butt hinge

- Can be installed on all struts and panels. The exact position of the hinge is determined by fixing pins, which can be replaced depending on the purpose.

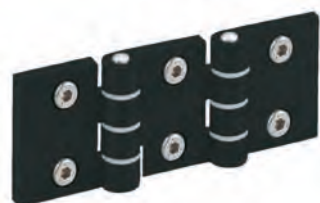
**Material:**  
Black anodised aluminium.  
Galvanised steel.  
Complete with fixing set (for profile assembly).



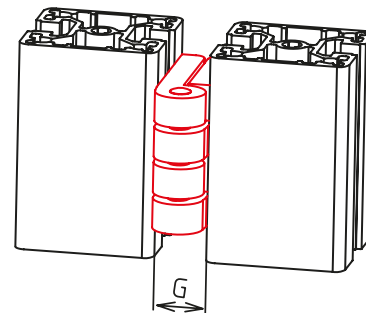
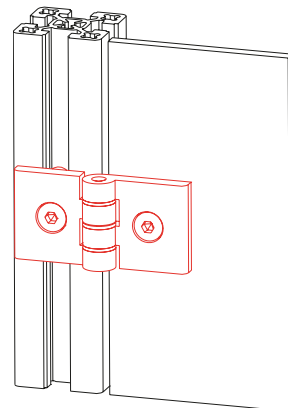
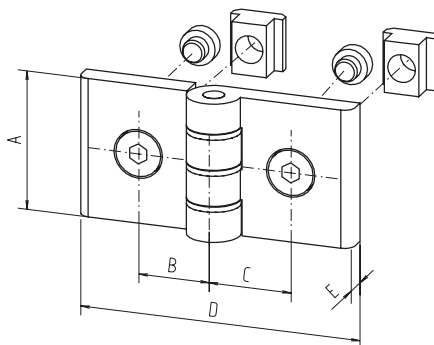
Version 1



Version 2



Version 3



[mm]

Code No.	Type	Version	A	B	C	D	E	G
<b>Butt hinge 2-part</b>								
4005525	30x30	1	50	17	17	56	7	13
4005526	30x30 to 40x40	1	50	17	22	56	7	13
4015525	40x40	2	40	22	22	79	7	15
4045526	40x40 to 60x60	2	40	22	32	79	7	15
4085525	F-50x50	2	40	27	27	79	7	15
4025525	60x60 (except F-60x60)	2	40	32	32	79	7	15
<b>Butt hinge 3-part</b>								
4015517	40	3	45	22	22	123	7	-

## Hinge assembly variants:





**Order instruction:**

- Purchase only in lot sizes and a multiple of that see product table below

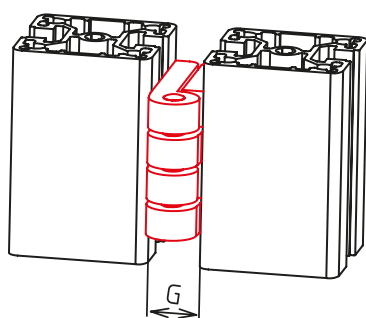
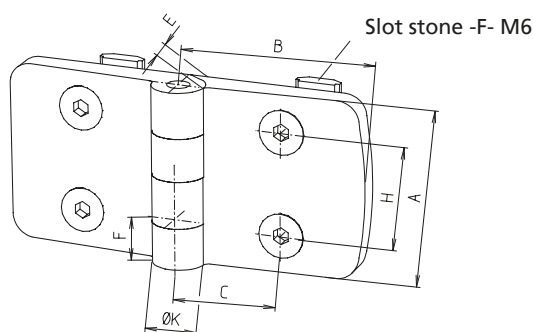
**Butt hinge**



- For installing on all struts and panels

**Material:**  
Black plastic, galvanised steel

**Fixing set:**  
The fixing set is not included in the Order No. and must be ordered separately.



[mm]										
Code No.	Post profile	Door profile	A	B	C	E	F	G	H	K
4008510	30	30	48	29,5	17,5	9	12	18	28	14
4008514	40	40	48	38,5	22,5	9	12	18	28	14
4008511	40	30	48	38,5/29,5	22,5/17,5	9	12	18	28	14
4008517	50	50	48	48,5	27,5	9	12	18	28	14
4008512	50	30	48	48,5/29,5	27,5/17,5	9	12	18	28	14
4008515	50	40	48	48,5/38,5	27,5/22,5	9	12	18	28	14

**Fixing set**

Code No. for one hinge half	lot sizes	Slot geometry
4006520	10, 20, 30... pcs	30 (slot stone -F-)
4016520	10, 20, 30... pcs	40 (slot stone -F-)

## Functional profiles

# Fittings

## Lift off hinge



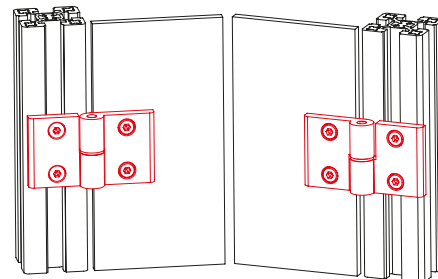
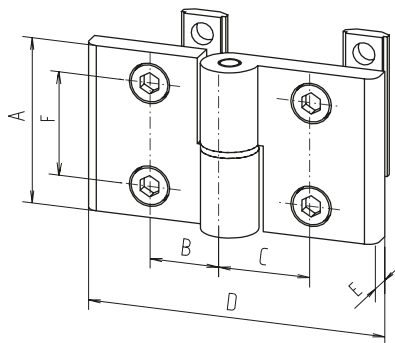
Version 1



Version 2

- Space-saving installation between two profiles
- Flaps or doors can be dismantled simply by lifting them off

**Material:**  
Black anodised aluminium,  
galvanised steel.  
Complete with fixing set  
(for profile assembly)



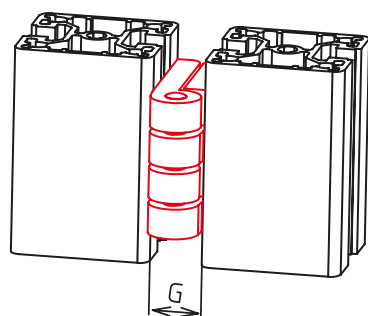
[mm]

Code No.	To slot geometry	Version	A	B	C	D	E	F	G
<b>Lift off hinge 2-part</b>									
4015520	40	1, left	45	22	22	79	7	28	15
4015521	40	1, right	45	22	22	79	7	28	15
4045521	40	1, left	45	22	32	79	7	28	15
4045522	40	1, right	45	22	32	79	7	28	15
<b>Lift off hinge 3-part</b>									
4015515	40	2	45	22	22	123	7	28	-

## Lift off hinge (narrow version)

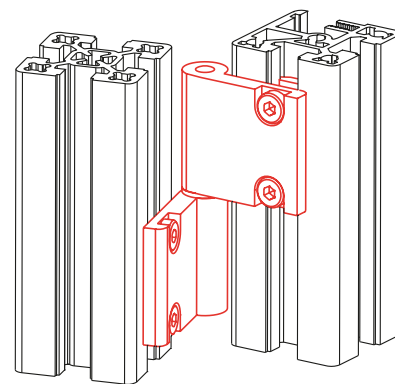
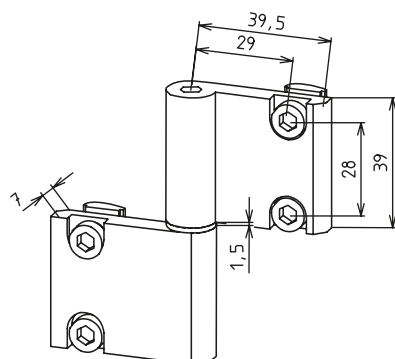


Right version



- Can be installed on all struts and panels.  
Flaps or doors can be dismantled simply by lifting them off.

**Material:**  
Black anodised aluminium,  
galvanised steel.  
Complete with fixing set  
(for profile assembly)



[mm]

Code No.	To slot geometry	Version	G
4015527	30	Left	7.5
4015526	30	Right	7.5
4015523	40	Left	7.5
4015522	40	Right	7.5

**Order instruction:**

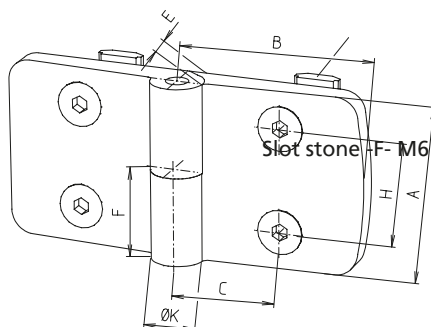
- Purchase only in lot sizes and a multiple of that see product table below

- Can be installed on all struts and panels.
- Flaps or doors can be dismounted simply by lifting them off.

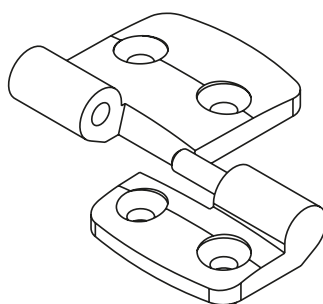
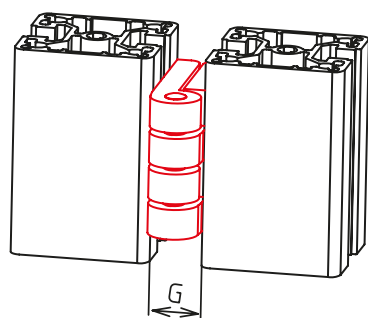
**Material:** Black plastic, galvanised steel parts.

**Fixing set:**

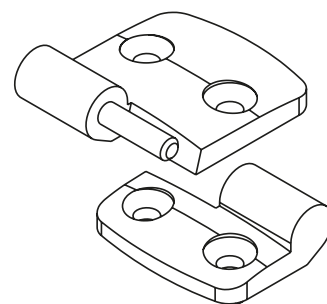
The fixing set is not included in the Order No. and must be ordered separately.

**Lift off hinge**


- Different sizes can be combined with each other. Example: Two lift off hinges L [ 30 | 50 ] can be assembled from one hinge L [ 50 | 50 ] and one hinge L [ 30 | 30 ]. See illustration below.



Variant 1



Variant 2

											[mm]
Version	Code No.	Post profile	Door profile	A	B	C	E	F	G	H	K
Right	4008530	30	30	48	29,5	17,5	9	24	18	28	14
	4008540	40	40	48	38,5	22,5	9	24	18	28	14
	4008550	50	50	48	48,5	27,5	9	24	18	28	14
Left	4008531	30	30	48	29,5	17,5	9	24	18	28	14
	4008541	40	40	48	38,5	22,5	9	24	18	28	14
	4008551	50	50	48	48,5	27,5	9	24	18	28	14

**Fixing set**

Code No. for one hinge half	lot sizes	Slot geometry
4006520	10, 20, 30... pcs	30 (slot stone -F-)
4016520	10, 20, 30... pcs	40 (slot stone -F-)

Functional profiles

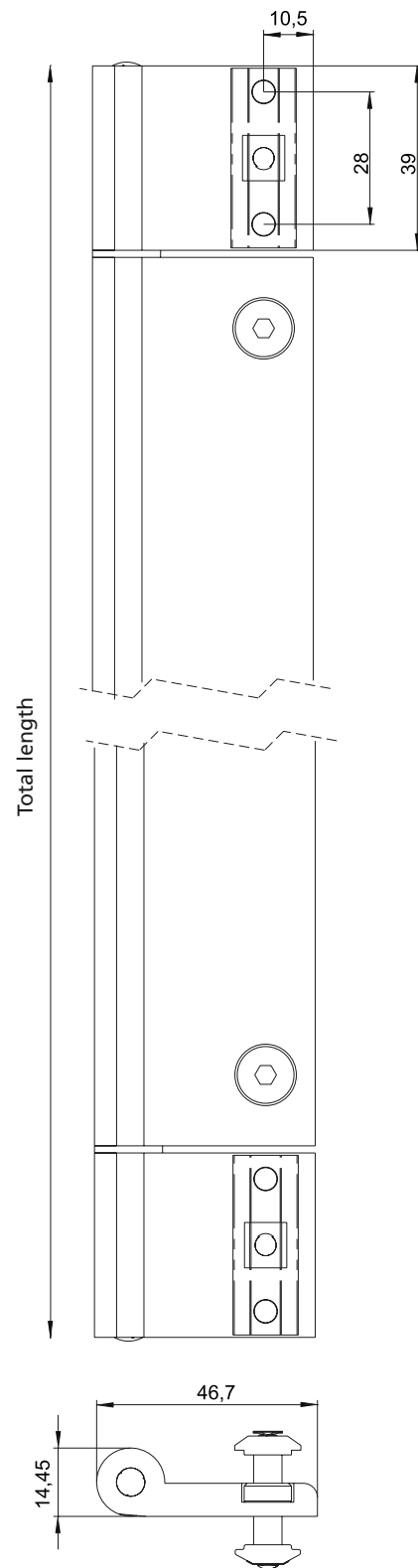
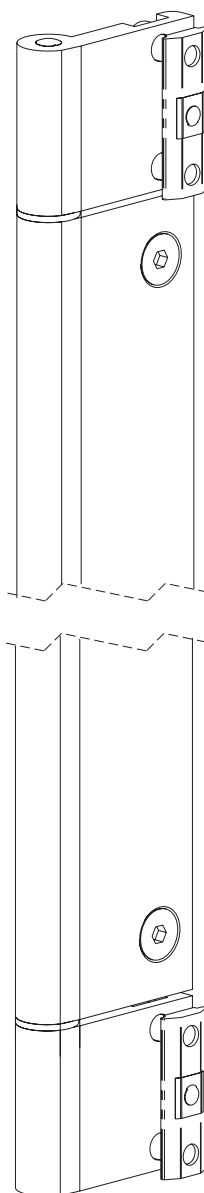
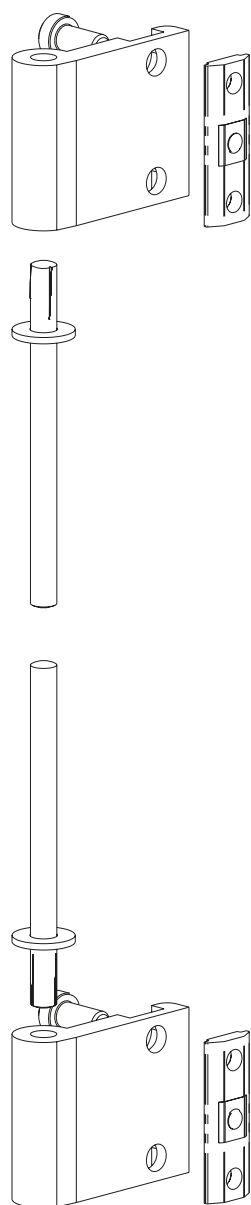
# Fittings

## Piano hinge

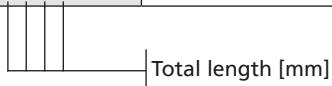
- Variable in length
- Taylor-made orderable

**Material:**  
aluminium clear anodized  
sliding disks plastic  
dowel pins, galvanised steel

**Includes:**  
complete with fixing set



Code No.	Type	length	Max. length	Slot geometry
4010627	Band hinge complete	200	2500	40





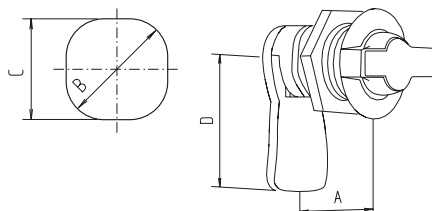
## Functional profiles

# Fittings

## Lever cylinder lock

- Complete with 2 keys.  
For locking lightweight doors and flaps

**Material:** Plastic, galvanised steel.



Code No.	Type	A	B	C	D
4016600	15	15	22.5	21	45
4026600	25	25	22.5	21	45

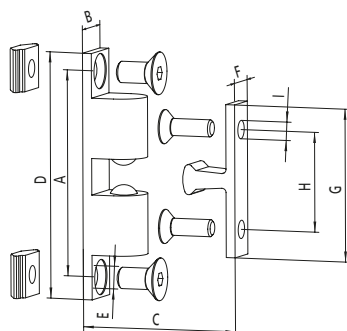
[mm]

## Ball catch

**Material:** Aluminium, brass  
**Fixing set:** Galvanised steel



Material:  
Brass



Door stop

Code No.	Type	A	B	C <sub>min</sub>	D	E	F	G	H	I
4010606	Without door stop	48.5	11.8	15.8	58	5.3	8.6	36	23.5	4.3
4000608	With door stop for fixing profile 30 to 30									
4010607	With door stop for fixing profile 30 to 40									
4010608	With door stop for fixing profile 40 to 40									
4000609	With door stop for fixing profile 50 to 30									
4010609	With door stop for fixing profile 50 to 40									

[mm]



## Magnetic lock

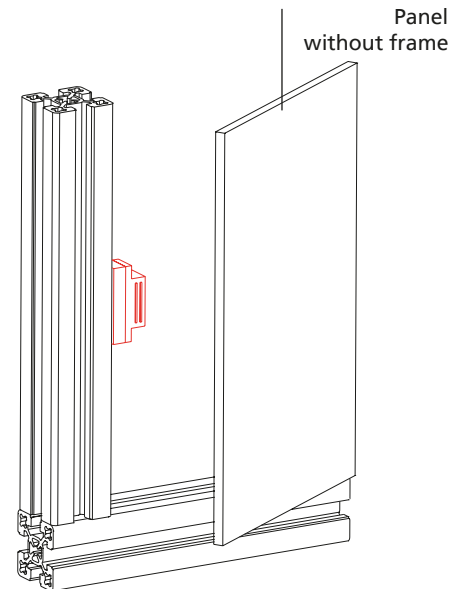
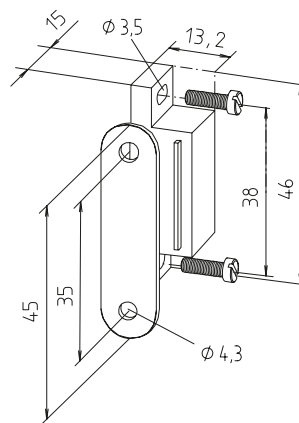
- Suitable from profile size 40
- Complete with fixing set

**Material:**  
Aluminium, plastic,  
galvanised steel

Magnetic lock with striker –  
Installed in panel  
without frame



Magnetic lock with striker –  
Installed in panel  
with frame



Code No.	Profile assembly	Installation	Sim. to fig.
4010605	All, except 30	Without frame	1
4010604	All, except 30	Profiles centr.	2
4000610	30 to 30	Profiles centr.	2
4010611	40 to 30	Profiles centr.	2
4010612	40 to 30	Profiles flush	3
4080603	50 to 30	Profiles flush	3
4080606	50 to 40	Profiles centr.	2
4080604	50 to 40	Profiles flush	3

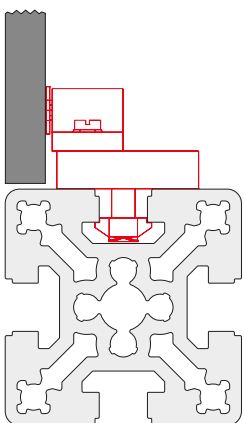


Fig. 1

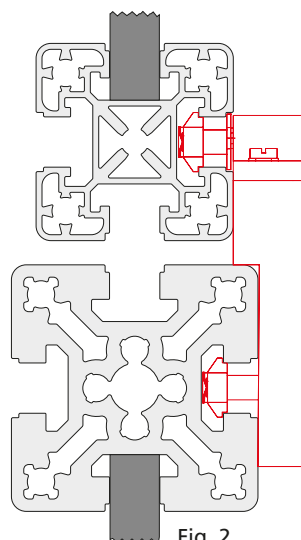


Fig. 2

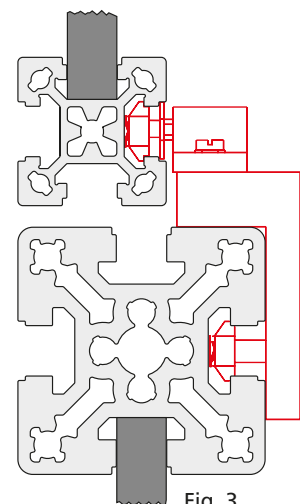


Fig. 3

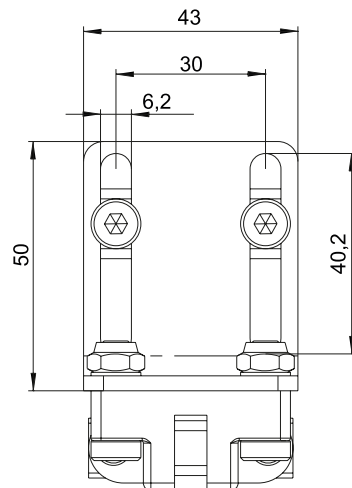
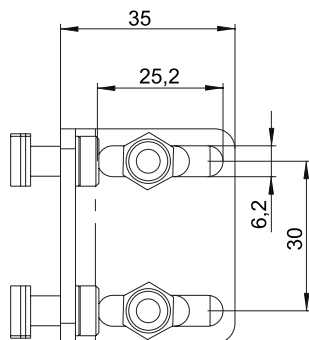
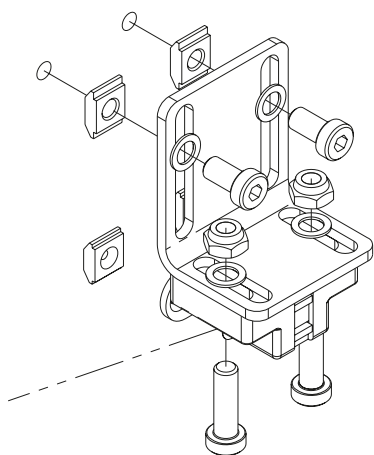
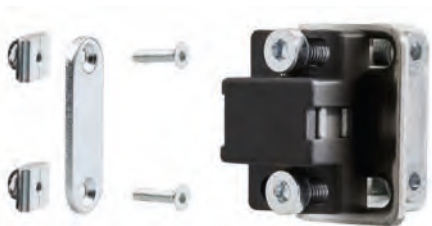
## Functional profiles

# Fittings

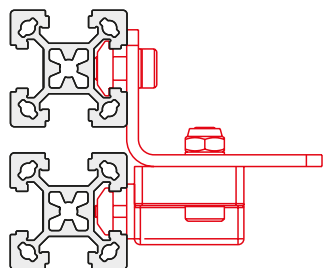
### Magnetic lock universal

- Suitable from profile size 30 for all assembly versions
- Holding force 10/20 N depends on mounting direction

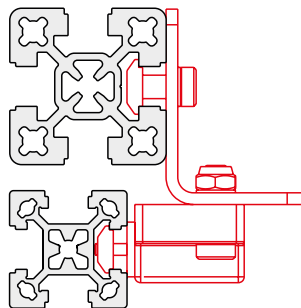
**Material:**  
polyamide glasfibre reinforced  
steel parts zincplated



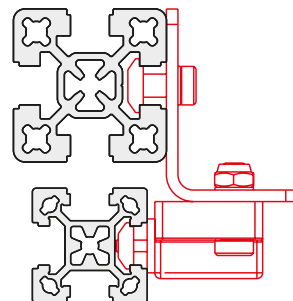
#### ■ Assembly versions



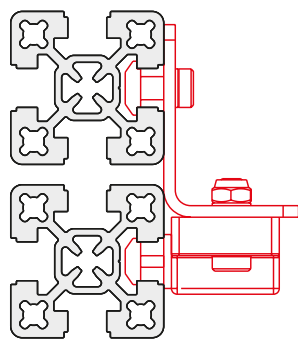
30 to 30 - Profile



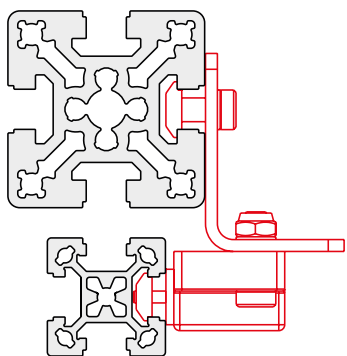
30 to 40 - Profile flush



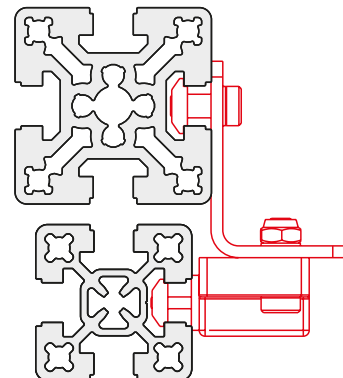
30 to 40 - Profile centred



40 to 40 - Profile



30 to 50 - Profile centred



40 to 50 - Profile centred

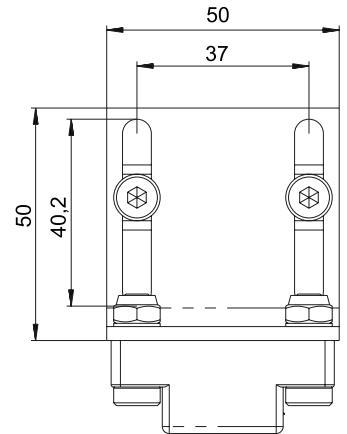
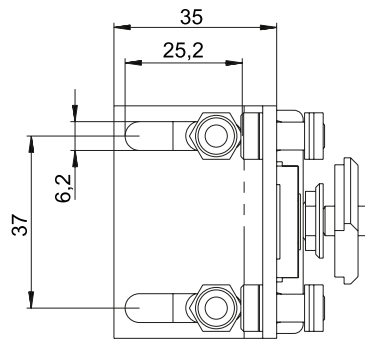
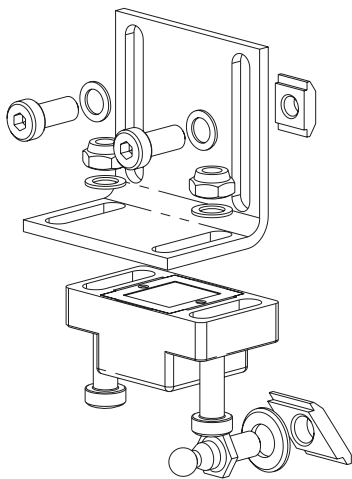
Code No.	Type	Slot geom.
4010625	Magnetic lock universal with fixing set	30/40
4010626	Magnetic lock universal without fixing set	—



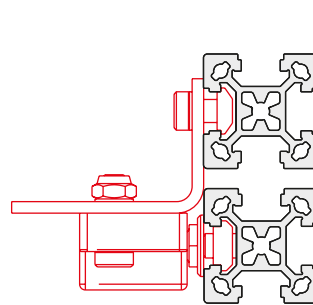
### Ball catch universal

- Suitable from profile size 30 for all assembly versions
- Holding force 50 N

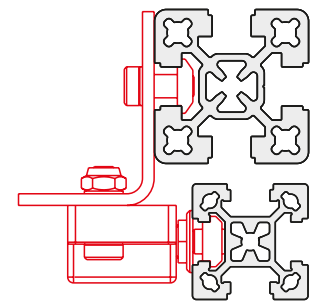
**Material:**  
polyamide glasfibre reinforced  
steel parts zinplated



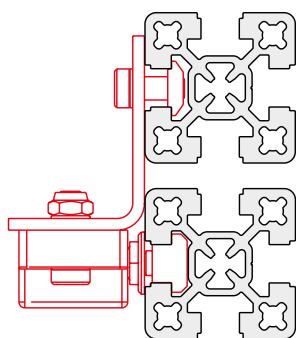
### ■ Assembly versions



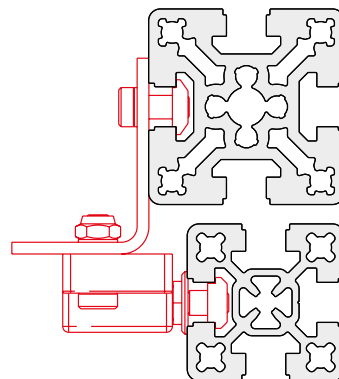
30 to 30 - Profile



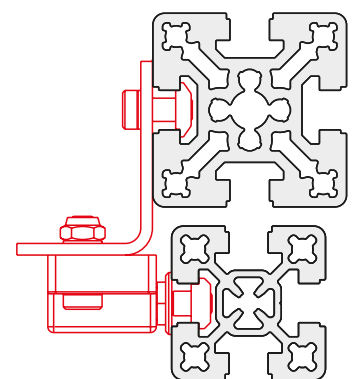
30 to 40 - Profile flush



40 to 40 - Profile



40 to 50 - Profile flush



40 to 50 - Profile centred

Code No.	Type	Slot geom.
4010630	Ball catch universal with fixing set	30/40
4010631	Ball catch universal without fixing set	—

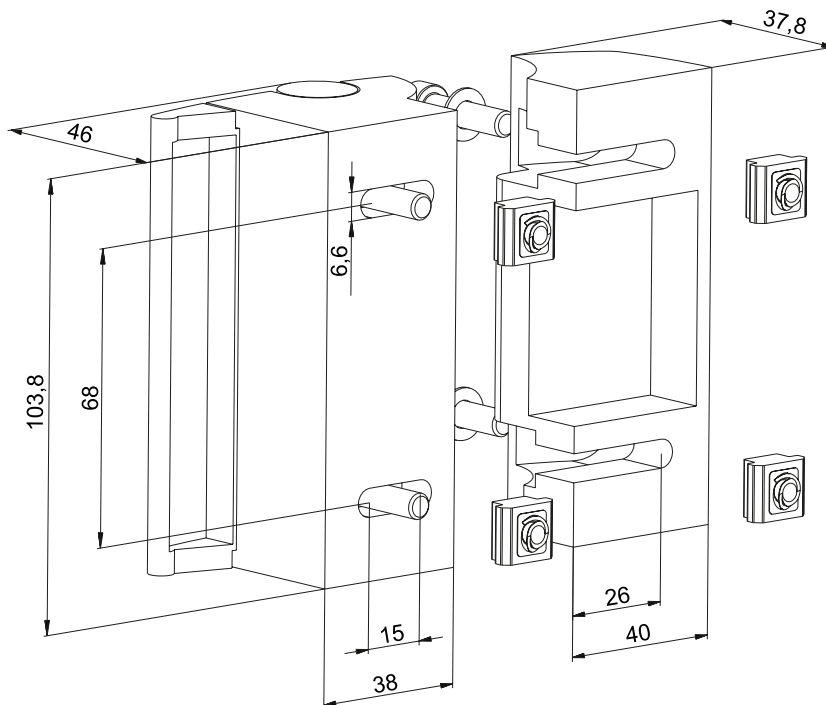
Functional profiles

# Fittings

## Slam Latch PRO



**Material:** die-cast aluminium  
black powder-coated  
**Includes:**  
complete with fixing set.



[mm]

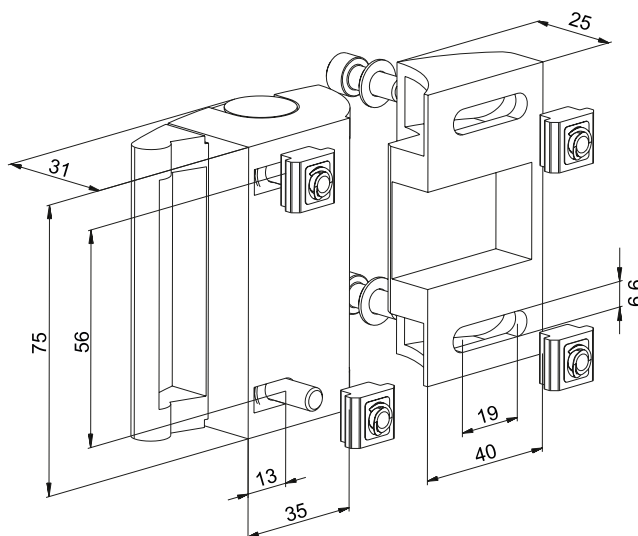
Code No.	Slot geometry
401A530	40

## Slam Latch Compact



**Material:** die-cast aluminium  
black powder-coated

**Includes:**  
complete with fixing set.



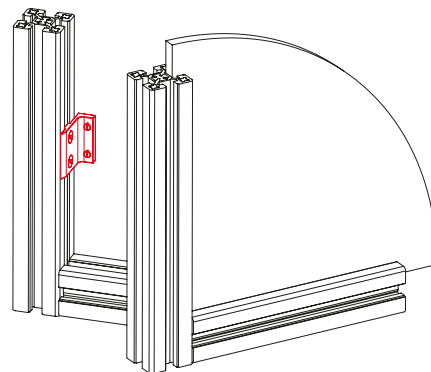
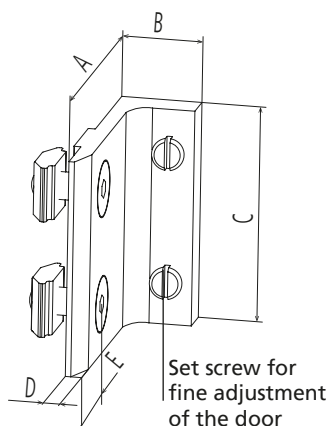
[mm]

Code No.	Slot geometry
401A531	40



### Door stopper

**Material:** Black plastic,  
galvanised steel  
**Complete with fixing set:**



[mm]

Code No.	Slot geometry	A	B	C	D	E
4008650	30	34	14.7	40	3	11
4018650	40	44	14.7	40	3	16

### Handle

**Material size 150 and 197:**  
PP plastic

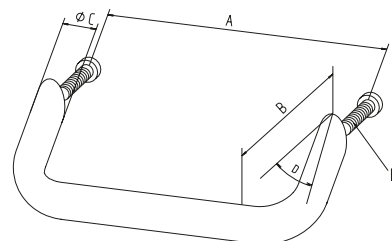
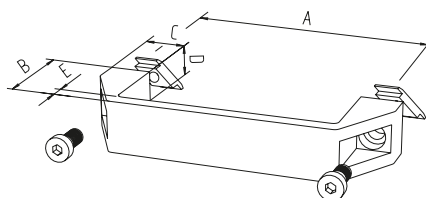
**Material size 152:**  
Black anodised aluminium  
**Complete with fixing set:**  
Aluminium



Size 150 and 197



Size 152



[mm]

Code No.	Size	Slot geometry	A	B	C	D	E
4005596	152	Drill	128	50	20	35°	M6x30
4015598	152	Drill	128	50	20	35°	M6x40
4008596	150	30	132	44	21	27	7
4015596	150	40	132	44	21	27	7
4015597	197	40	179	50	22	28	7

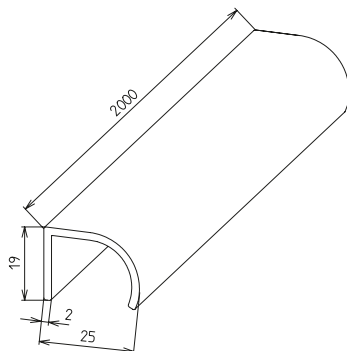
## Functional profiles

# Fittings

### Handle profile

- The elegant handle profile is supplied as bar material and can be cut to length as required. The customer must drill the fixing holes.

**Material:** Aluminium

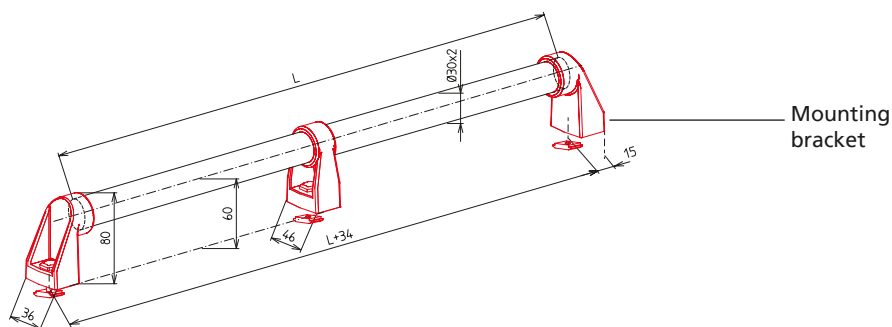


Code No.	Type
4015595	Handle profile, 2000 mm bar

### Handle/Handrail

Retrospective fixation with slot stone R  
Anodised aluminium tube  
grip surface  
Cut to size or bar

**Material:**  
Black plastic mounting brackets, galvanised fastenings. Aluminium tube



Central mounting bracket recommended as of  $L > 1000$  mm

Code No.	Slot geometry	Type
4018501	40	2x mounting brackets, $L < 1000$ mm
4018502	40	2x mounting brackets, 1x central mounting bracket, $L > 1000$ mm

Code No.	Type
823020 2 0500	Aluminium tube, $\text{Ø}30 \times 2$ L=500 mm
823020 2 1000	Aluminium tube, $\text{Ø}30 \times 2$ L=1000 mm
823020 2 2000	Aluminium tube, $\text{Ø}30 \times 2$ L=2000 mm
823020 2	Cut to length aluminium tube $\text{Ø}30 \times 2$ , $L_{\text{max}} = 6000$ mm

Length [mm]

### Safety switch AZM 161

- For safely switching off circuits. Suitable for hinged, sliding and lifting doors.

#### Technical data:

Self-extinguishing fibreglass-reinforced thermoplastic.

**Degree of protection:** IP67 to IEC 529/EN 60529/DIN VDE 0470-1

**Contact type:** One-pin, double-breaking, positively driven NC to VDE 001, additional contacts for signal purposes

**Pivot radius:**  $R_{min}$  900 mm

**Constant current:** 10 A Rated operating current Iu AC 11h 2 A (230 V)

**Short circuit resistance:** 6 A (slow) as positively driven NC position switch

**Contact type:** One-pin, double-breaking, positively driven NC to VDE 001, additional contacts for signal purposes

**Pivot radius:**  $R_{min}$  900 mm

**Constant current:** 10 A Rated operating current Iu AC 11h 2 A (230 V)

**Short circuit resistance:** 6 A (slow) as positively driven NC position switch

**Positive opening travel/force:** 8.8 mm / 10 N

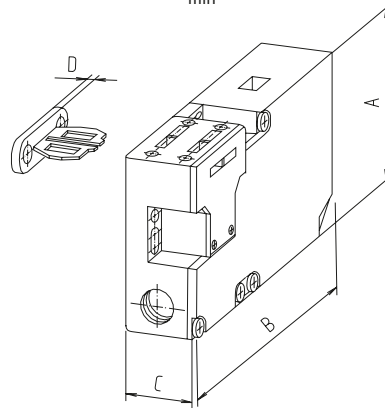
**Locking force  $F_{max}$ :** 2000 N

**Mech. lifetime:**

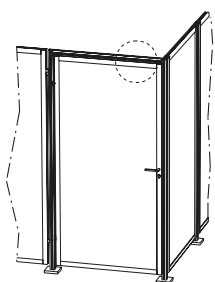
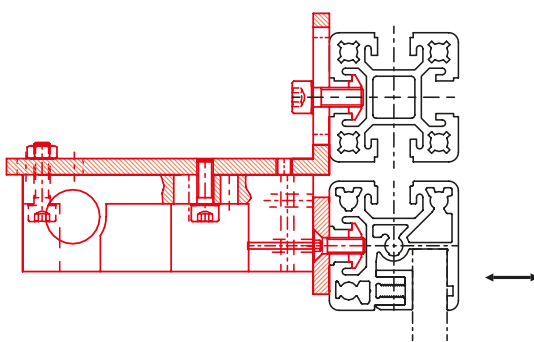
>10x10<sup>6</sup> switching cycles

**Operating temperature:**

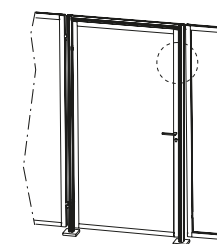
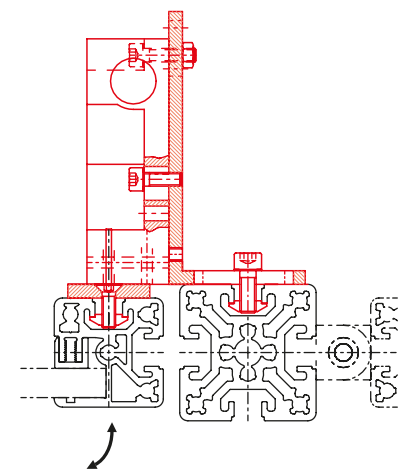
-25 to +60°C.



Code No.	Type	A	B	C	D
4010650	Switch AZM 161, for sliding door/lifting door/hinged door	90	130	30	5



**Fig. 1: Hinged door**  
Fixing AZM 161 to the top strut (40-40)



**Fig. 2: Hinged door**  
Fixing AZM 161 to the side strut (40-50)

**Functional profiles**

# Fittings

## Safety switch AZ 15zvr

- For safely switching off circuits
- Suitable for hinged, flap, sliding and lifting doors

**Technical data:** Self-extinguishing, fibreglass reinforced thermoplastic

**Actuator key:**

Stainless spring steel

**Degree of protection:**

IP67 to IEC 529/EN 60529/DIN VDE 0470-1

**Contact material:** Fine silver

**Contact type:** One-pin, double-breaking, positively driven NC to VDE 001

**Pivot radius:**  $R_{min} 450 \text{ mm}$

**Rated isolation voltage:**

VI 500 V approx. 25-60 Hz.

**Constant current:** 10 A

Rated operating current Iu AC 11h

4 A (230V), 2.5 A (380 V),

1A (500 W)

**Short circuit resistance:**

10 A (slow) 16 A (fast).

Contact gap

2 x 3 mm.

**Positive opening travel/force:**

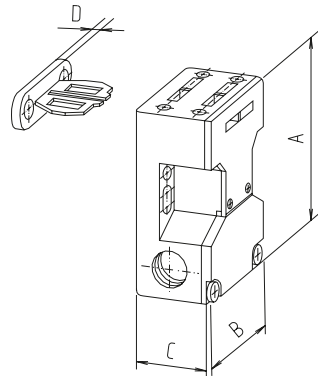
8 mm / approx. 30 N

**Mech. lifetime:**

$10 \times 10^6$  switching cycles

**Operating temperature:**

-30 to +80°C.

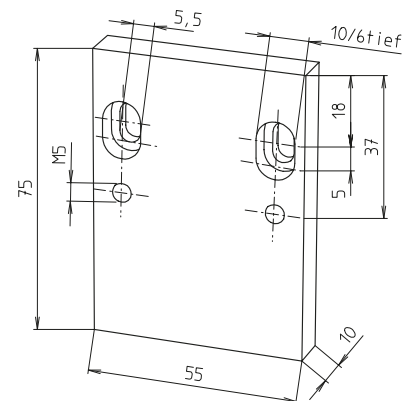
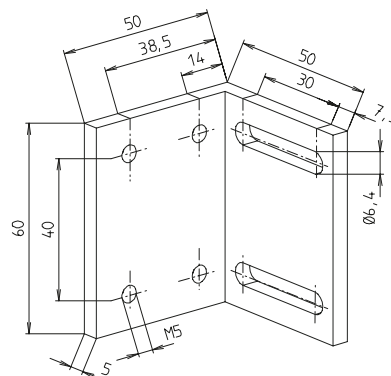
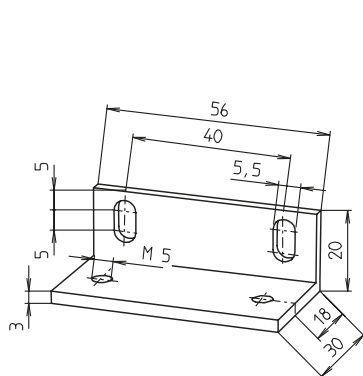


Code No.	Type	A	B	C	D
4010610	AZ 15 zvr for sliding door / lifting door	72	52	30	5
4010613	AZ 15 zvr for sliding door	72	52	30	5
4010614	AZ 15 zvr for flap door	72	52	30	5
4015610	Fixing set for sliding door, hinged door	Fig. 1, 2, 3		40 slot geometry	
4015602	Fixing set for lifting door	Fig. 4			

Further fixing sets available on request

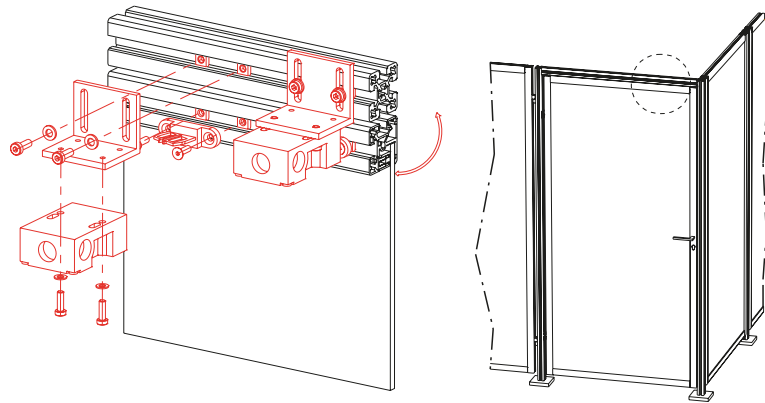
Fixing set for sliding and hinged door. Vibration finished aluminium. See fig. 1-3 on the next page.

Fixing set for lifting door See fig. 4 on the next page.

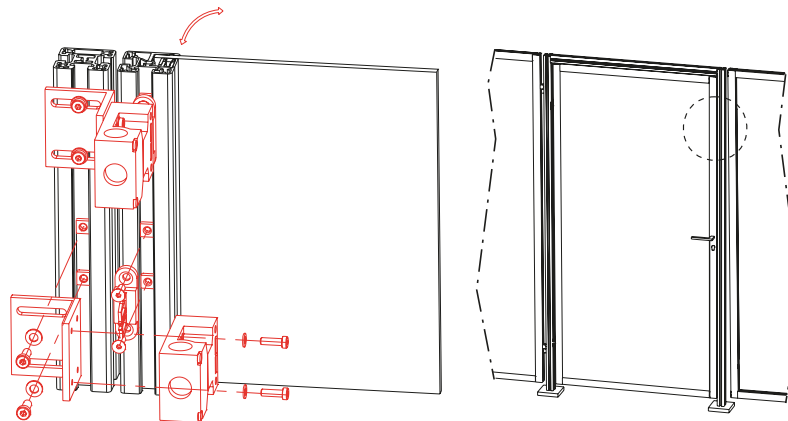




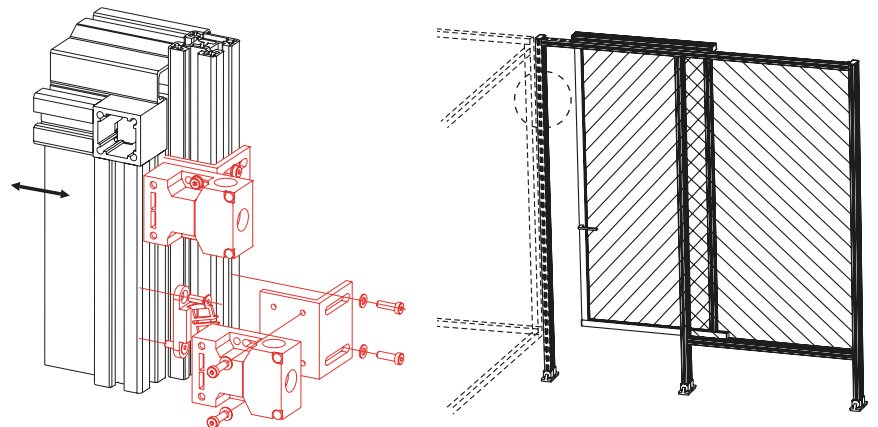
**Fig. 1: Hinged door**  
Fixing AZ 15 zvr to the  
top strut (40-40)



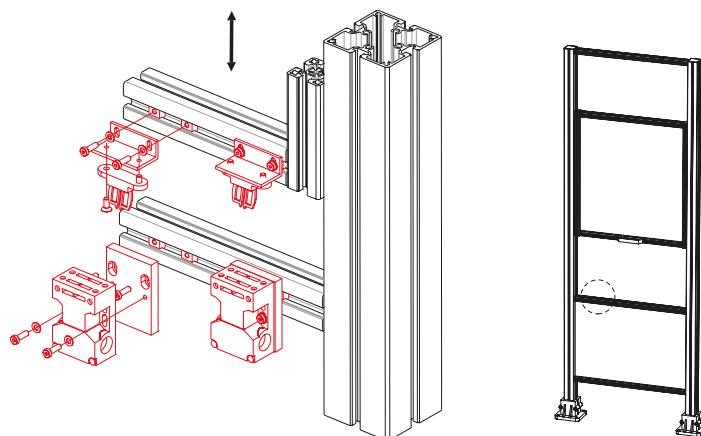
**Fig. 2: Hinged door**  
Fixing AZ 15 zvr to the  
side strut (40-50)



**Fig. 3: Sliding door**  
Fixing AZ 15 zvr to the  
side strut (50-40)



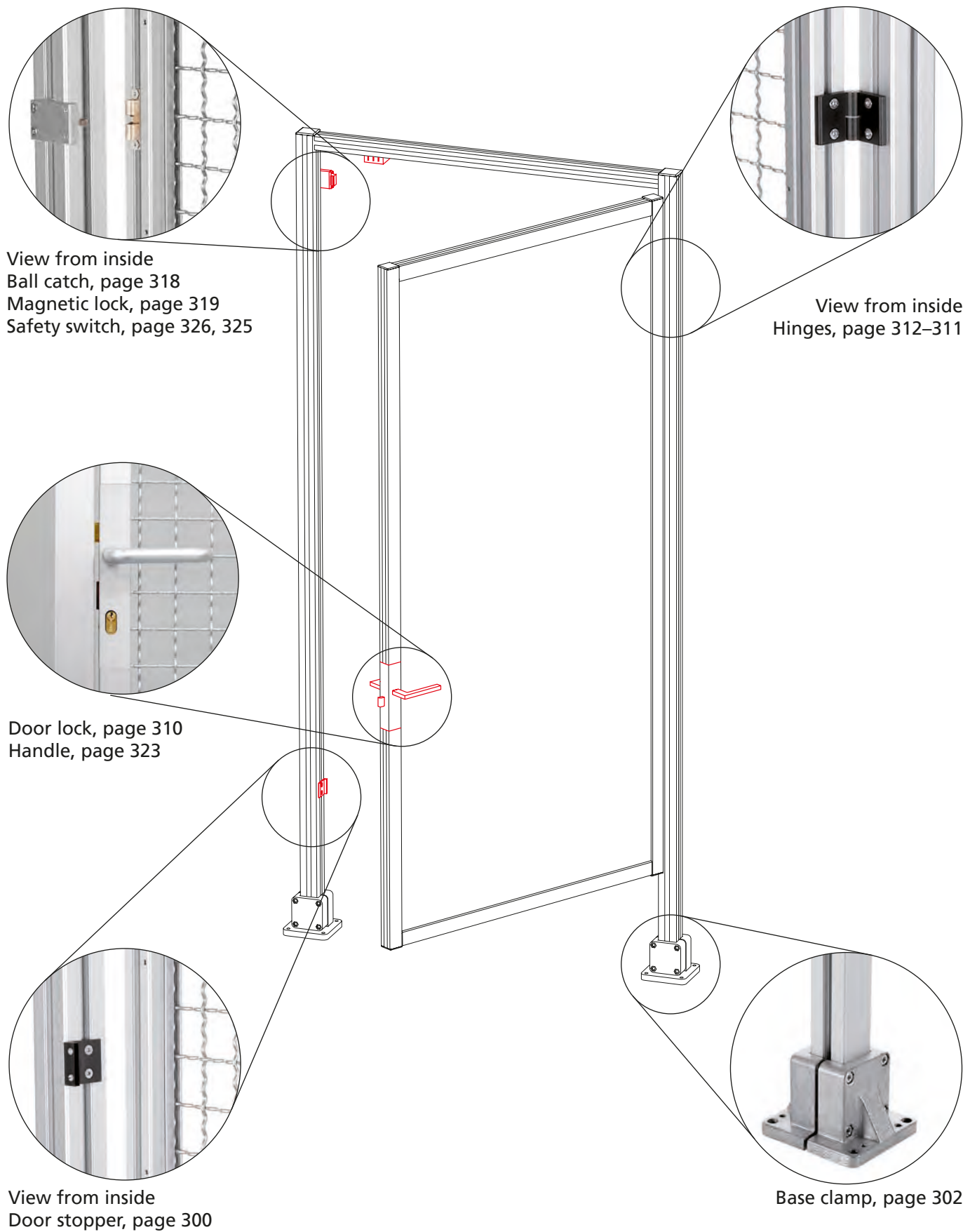
**Fig. 4: Lifting door**  
Fixing AZ 15 zvr to the  
cross strut (40-40)



## Functional profiles

# Fittings

## Fittings





# Conveying elements and pneumatics

## Versions

### Conveying elements



Conveyor rollers



Roller carriage



Conveyor drums



Sliding piece

### Pneumatics



Pneumatic connection



Pneumatic connecting plate



## Table of contents

<b>Conveying elements</b>	Conveyor rollers ..... p. 332
	Conveyor drums ..... p. 332
	Sliding piece ..... p. 333
	Roller carriage ..... p. 334
<b>Pneumatics</b>	Pneumatic connection ..... p. 335
	Pneumatic connecting plate ..... p. 335

## Functional profiles

# Conveying elements

### Conveyor rollers

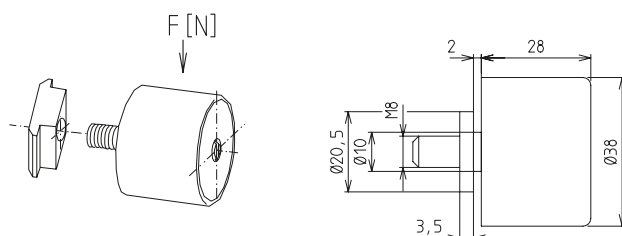
- Version with or without flange
- Fixing in the profile slots
- For assembling transport vehicles or conveyor belts.

**Material:**  
Plastic with ball bearing.

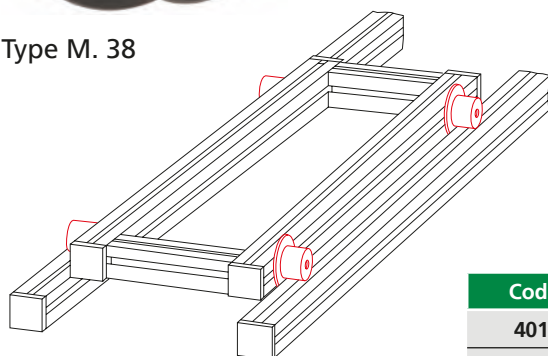
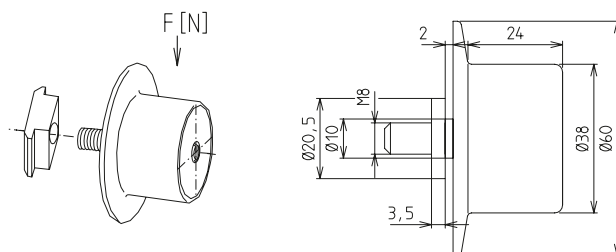
**Scope of delivery:**  
Complete with fixing set.



Type O. 38



Type M. 38



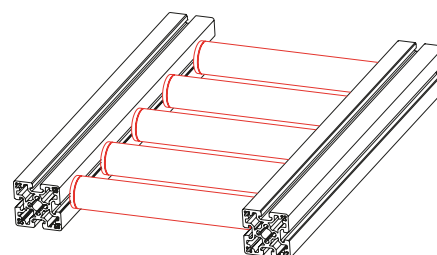
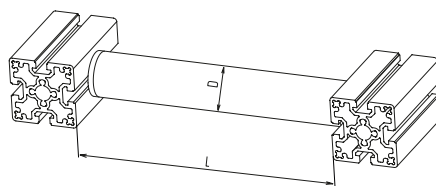
Code No.	Type	Slot geometry	F [N]
4010640	O. 38	40	100
4010641	M. 38	40	100

### Conveyor drums

- Standard length 500 mm. Other lengths available on request.

**Material:** Plastic with plastic ball bearings.

**Scope of delivery:**  
Complete with fixing set.



[mm]

Code No.	Type	D	L	Slot geometry	F [N] in relation to 500 mm
4018641	40	40	500	40	100
4018640	50	50	500	40	150

## Sliding piece

- For easy, low-wear moving of parts in a profile frame (sliding doors, lifting doors).
- A "centred" and an "off-centred" version are available. The sliding piece is available ready to install including set screws and as bars.

**Material:**  
Black plastic

**Scope of delivery:**  
See table/version



Fig. 1

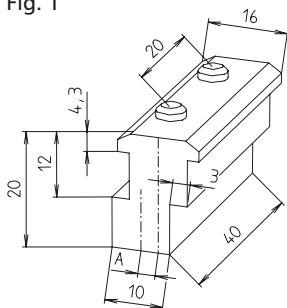
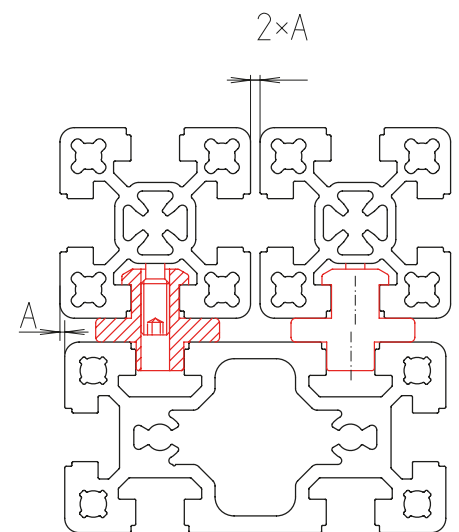
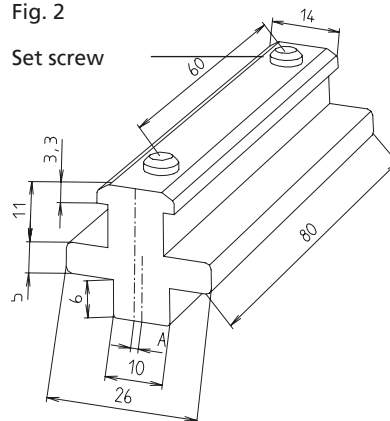


Fig. 2

Set screw



Code No.	Type	Version	Fig.	A
4018644	Centred sliding piece	Complete, 40 slot geometry	2	0
4018645	Centred sliding piece	2000 mm bar	2	0
4018646	Off-centred 1 mm sliding piece	Complete, 40 slot geometry	1	1
4018647	Off-centred 1 mm sliding piece profile	2000 mm bar	1	1
4018648	Off-centred 3 mm sliding piece	Complete, 40 slot geometry	1	3
4019236	Set screw M6x18 DIN 913	Corrosion-resistant		

[mm]

## Functional profiles

# Conveying elements

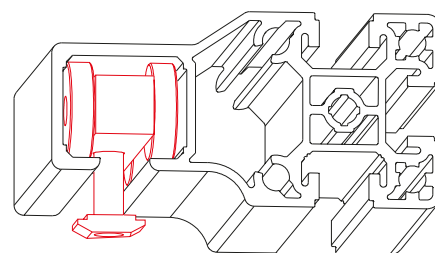
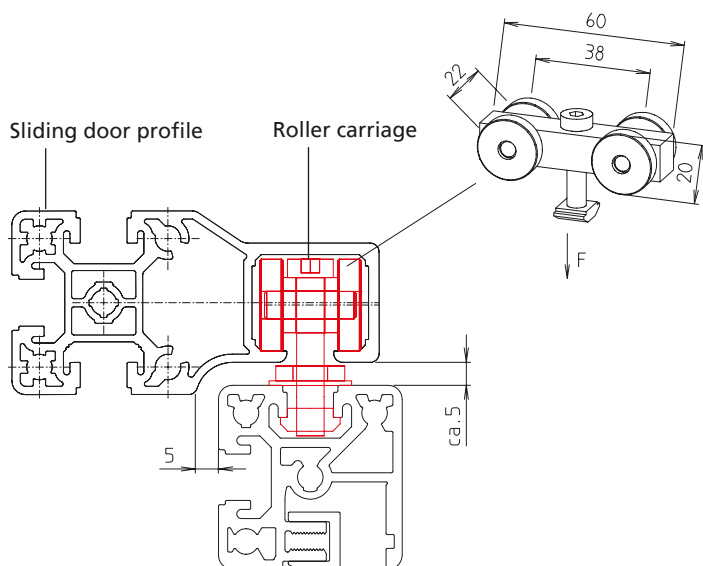
### Roller carriage

- The roller carriages are fitted for sliding door profile sizes 30 and 40 (see chapter "Functional profiles" page 196 + 201) However, they can also be used as individual parts in other constructions.

**Material:**

Aluminium, vibration finished with slide bushing, Plastic rollers, black

The scope of delivery includes the complete roller carriage, fixing screw, slot stone -F- and a lock nut. Galvanised steel fixation



Code No.	Type	Version	F
4170601	30	Complete roller carriage	150 N
4180601	40	Complete roller carriage	150 N



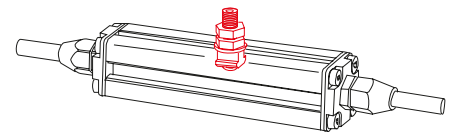
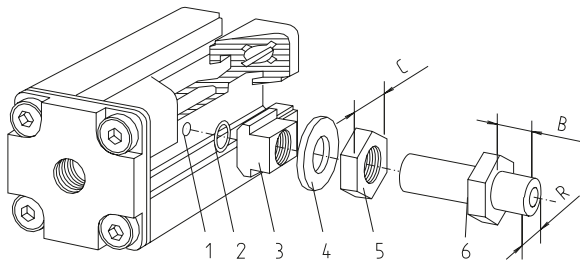
# Pneumatics

## Pneumatic connection



**Assembly:** Mark the desired position with the aid of the template (see page 482) and drill a hole with a 4 mm drill (1). Place the O ring (2) on the bore hole (6) and then push the slot stone (3) in the slot from the side, directly onto the bore hole. Then hand-tighten the screw in the slot stone (3) and lock it with the nut (5) and washer (4).

**Material:**  
Galvanised steel slot stone, brass screw connection.  
Connecting option in the slot of coupling sockets, plugs or screw connections.



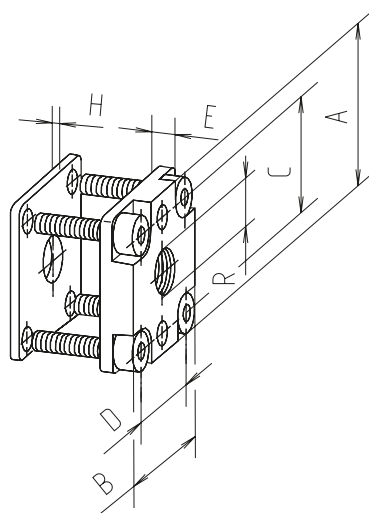
Code No.	Connection	R	B	C
4010415	R1/8"	R1/8"	12	17
4010416	With hose coupling - automatic stop			

## Pneumatic connecting plate

- Connection to the front profile surfaces, for compressed air supply or consumer systems.

**Material:**  
Die-cast aluminium

**Scope of delivery:**  
Complete with seal and screws.  
Fixing: Galvanised steel



Code No.	Type	Connection	A	B	C	D	E	R	H
4044411	80x80, F-80x80-L	R1/4"	80	80	68	68	8	R1/4"	2
4044412	80x80, F-80x80-L	R1/2"	80	80	68	68	8	R1/2"	2

Functional profiles

# Cable channel system

## Versions



Profiles



Spring strips



Channel assembly clip



Cover plate



End cover  
for cable outlet



Grommet  
for cable outlet



Membrane grommet  
for cable outlet



Cable tie base



Separating strip



Assembly strip



Edge protection



Equipotential bonding



Self tapping screw



## Table of contents

<b>Cable channel system</b>	Functionality/Assembly ..... p. 338
	Profiles ..... p. 339
	Spring strips ..... p. 340
	Channel assembly clip ..... p. 340
	Cover plate ..... p. 340
	End cover for cable outlet ..... p. 340
	Grommet for cable outlet..... p. 340
	Membrane grommet for cable outlet..... p. 340
	Separating strip ..... p. 341
	Assembly strip..... p. 341
	Edge protection..... p. 341
	Equipotential bonding..... p. 341
	Self tapping screws ..... p. 341

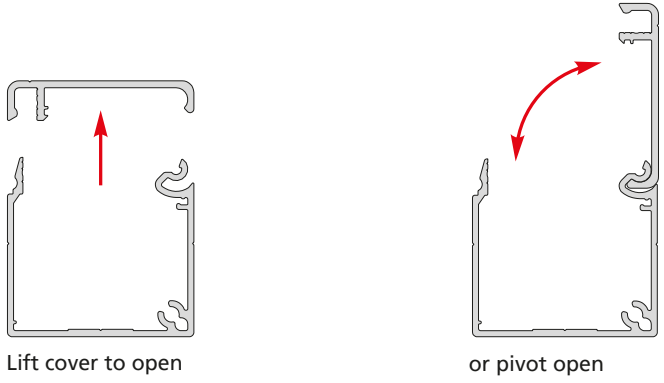
**Functional profiles**

# Cable channel system

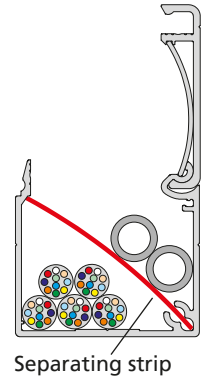
## Channel functionality

- Aluminium cable channel in sizes 40x40, 40x80 and 80x40
- Smooth and scratch-resistant easy to clean anodised surface

Easy to open / excellent accessibility

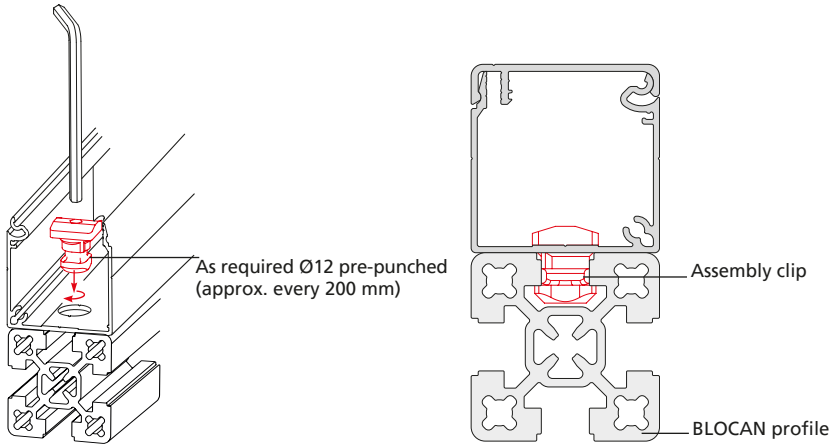


Arrangement in channel with optional separating strips

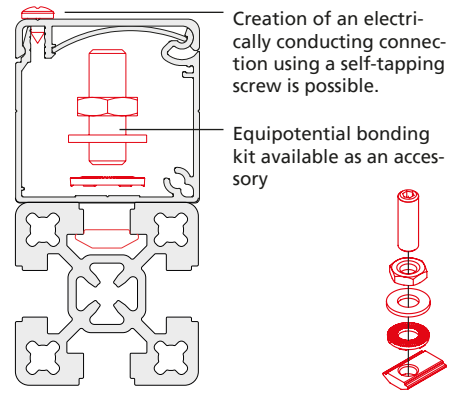


## Assembling the channel

Easy assembly (without machining) with BLOCAN® profiles

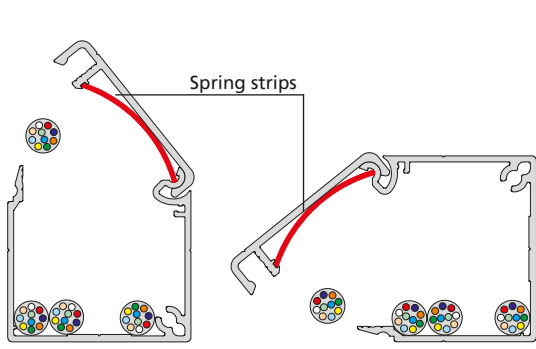


Equipotential bonding

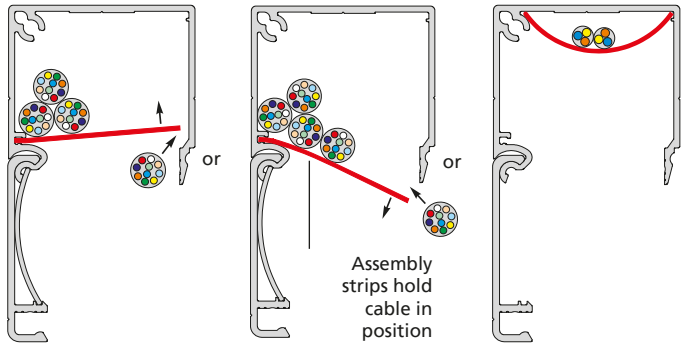


## Cable arrangement

Insertable spring strips hold the cover in position



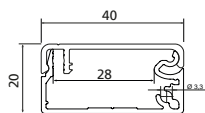
Assembly strips facilitate overhead assembly





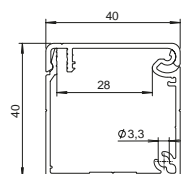
## Cable channel profiles

### Profil KK-40x20



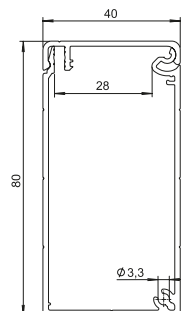
Code No.	Profile	Type	Weight
4F55A01	KK-40x20, 6 m bar	With fixing holes	0,609 kg/m
4F55A00	KK-40x20, cut to size		
4F55001	KK-40x20, 6 m bar	Without fixing holes	0,611 kg/m
4F55000	KK-40x20, cut to size		

### Profile KK-40x40



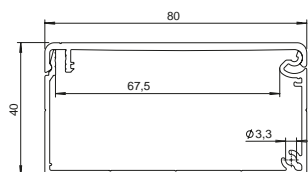
Code No.	Profile	Type	Weight
4E15A01	KK-40x40, 6 m bar	With fixing holes	0.745 kg/m
4E15A00	KK-40x40, cut to size		
4E15001	KK-40x40, 6 m bar	Without fixing holes	0.747 kg/m
4E15000	KK-40x40 cut to size		

### Profile KK-40x80



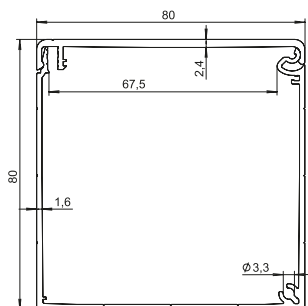
Code No.	Profile	Type	Weight
4E35A01	KK-40x80, 6 m bar	With fixing holes	1.152 kg/m
4E35A00	KK-40x80, cut to size		
4E35001	KK-40x80, 6 m bar	Without fixing holes	1.155 kg/m
4E35000	KK-40x80 cut to size		

### Profile KK-80x40



Code No.	Profile	Type	Weight
4E25A01	KK-80x40, 6 m bar	With fixing holes	1.290 kg/m
4E25A00	KK-80x40, cut to size		
4E25001	KK-80x40, 6 m bar	Without fixing holes	1.292 kg/m
4E25000	KK-80x40 cut to size		

### Profile KK-80x80



Code No.	Profile	Type	Weight
4F15A01	KK-80x80, 6 m bar	With fixing holes	1.690 kg/m
4F15A00	KK-80x80, cut to size		
4F15001	KK-80x80, 6 m bar	Without fixing holes	1.693 kg/m
4F15000	KK-80x80 cut to size		

## Functional profiles

# Cable channel system

### Order instruction:

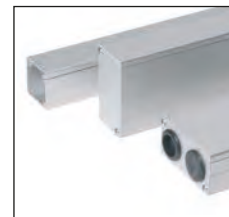
- Purchase only in lot sizes and a multiple of that see product table below



Spring strips hold the cover open in any position



Quick and easy assembly with a fixing clip



Cover plates and outlets as required

### Spring strips for cover



Code No.	Type	lot sizes	Material
4E185041	KK 40x40 KK 40x80	10, 20, 30... pcs	Plastic
4E285011	KK 80x40 KK 80x80	10, 20, 30... pcs	Plastic

### Cable assembly clip



Code No.	Type	lot sizes	Material
4E185031	all	10, 20, 30... pcs	Plastic

### Cover plate



Code No.	Type	lot sizes	Material
4F555011	KK 40x20	6, 12, 18... pcs	Aluminium
4E155011	KK 40x40	6, 12, 18... pcs	
4E255011	KK 40x80, KK 80x40	6, 12, 18... pcs	
4F155011	KK 80x80	6, 12, 18... pcs	

### End cover for cable outlet



Code No.	Type	lot sizes	Material
4E155021	KK 40x40	6, 12, 18... pcs	Aluminium
4E255021	KK 40x80, KK 80x40	6, 12, 18... pcs	
4F155021	KK 80x80	6, 12, 18... pcs	

### Grommet for cable outlet



Code No.	Type	lot sizes	Material
4E185051	Outlet Ø 22mm	6, 12, 18... pcs	Z-PVC

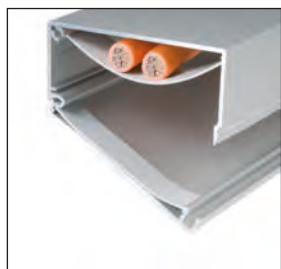
### Membrane grommet for cable outlet



Code No.	Type	lot sizes	Material
4E185021	40x40, 40x80, 80x40, 80x80	6, 12, 18... pcs	Plastic



Leads can be separated with press-fit separating strips...



...or make overhead work easier.



Edge protection for inlets or outlets



Standard components make equipotential bonding easy

### Cable tie base \*



Code No.	Type	lot sizes	Material
4F185021	all	10, 20, 30... pcs	Plastic

\* May be used with channel assembly clip.

### Separating strip



Code No.	Type	lot sizes	Material
4E185061	KK 40x40	10, 20, 30... pcs	Plastic
4E285021	KK 40x80, KK 80x40	10, 20, 30... pcs	
4F185011	KK 80x80	10, 20, 30... pcs	

### Assembly strip



Code No.	Type	lot sizes	Material
4E185071	KK 40x40, KK 40x80	10, 20, 30... pcs	Plastic
4E285031	KK 80x40	10, 20, 30... pcs	

### Edge protection



Code No.	Type	Material
4E18501	1 unit per 1 m	Plastic

### Equipotential bonding



Code No.	Type	lot sizes	Material
4E16502	screw, slot stone, washers	-	Aluminium
4E165031	contact washer	100, 200, 300... pcs	

### Self tapping screw



Code No.	Type	lot sizes	Material
4E165011	ISO 7049 St. 3.5 x 9.5, Form f	10, 20, 30... pcs	Aluminium

Functional profiles

# Accessories M-BLOCAN®

## Versions



Flange bracket  
M-BLOCAN®



Flange bracket adaptor



Corner joint R / GG



Corner joint  
for clamping profiles



Profile / Angle brackets



Mitre joint -transversal-



Slot stone -B- / PLM



Screws



Profile hinge



Handle



Butt hinge



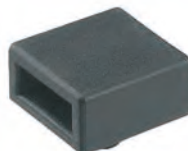
Magnetic lock



Cover profile



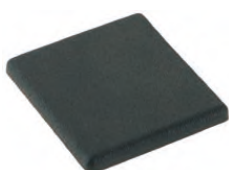
Vario-Quick  
holding block S



Vario-Quick  
holding block K



Surface elements



Caps



Foot





# Table of contents

## Accessories

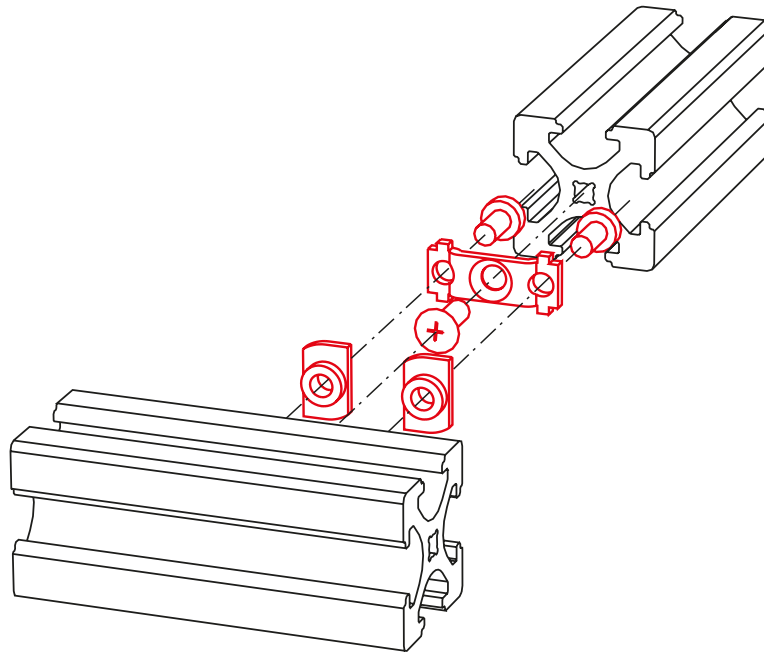
### M-BLOCAN®

Flange bracket M-BLOCAN® .....	p.345
Flange bracket adaptor .....	p.345
Corner joint R / GG .....	p.346
Corner joint for clamping profiles .....	p.348
Profile / Angle brackets.....	p.350
Mitre joint -transverse- .....	S.352
Slot stone -B- / PLM .....	p.353
Screws .....	p.353
Profile hinge.....	p.354
Handle.....	p.354
Butt hinge.....	p.355
Magnetic lock.....	p.355
Cover profile.....	p.356
Vario-Quick holding block S .....	p.357
Vario-Quick holding block K.....	p.357
Surface elements.....	p.358
Caps.....	p.359
Foot.....	p.359

## Functional profiles

# Flange bracket connection M-BLOCAN®

## Flange bracket connection M-BLOCAN®



The illustration shows approximately the actual size.

- Connecting BLOCAN® profiles without machining such as drilling, tapping etc. is based on many years of experience. Constant striving for shorter assembly times and therefore lower costs led to the latest innovation in the profile sector:  
**The bayonet nut connector**
- The redesigned slot stones are already pre-assembled to the flange bracket, but loose. They turn automatically in the correct position when screwed in.
- Screw the flange bracket to the profile end, align the slot stones, attach the other profile and tighten.  
  
Ready!

- Flange bracket with bayonet catch for a right angle connection of two profiles.

**Material:** Galvanised steel

**Scope of delivery:**  
Comprises all the parts necessary for the complete assembly of two profiles.

## Flange bracket M-BLOCAN®



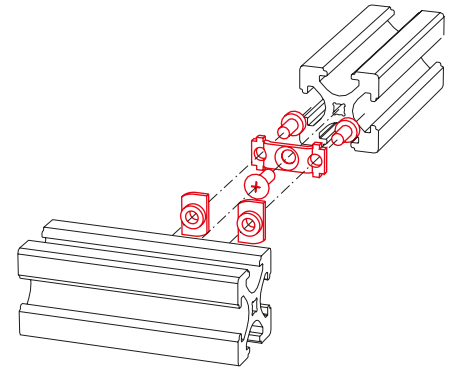
F-/ F-G 20

F-20x40



F-R 20

F-G / F-GG 20



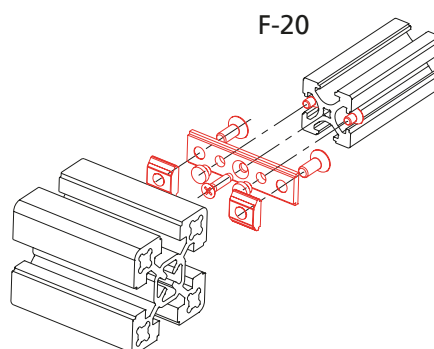
Code No.	Type	lot sizes
E01007AAE	F-20 / F-G 20	10, 20, 30... pcs
E03007AAE	F-20x40	10, 20, 30... pcs
E02007AAE	F-R 20	10, 20, 30... pcs
E07007AAE	F-G 20 / F-GG 20 short	10, 20, 30... pcs

## Flange bracket adaptor

- Adaptor strip with slot stones for the connection of M-BLOCAN® profiles with the tried-and-tested BLOCAN® profiles.

**Material:**  
Galvanised steel

**Scope of delivery:**  
Comprises all the parts necessary for the complete assembly of two profiles.  
Plastic fixation



Code No.	Type	Slot geometry
E01009AAE	F-20x20	30
E01012AAE	F-20x20	40
E03009AAE	F-20x40	30
E03012AAE	F-20x40	40
E07009AAE	F-G/GG 20	30
E07012AAE	F-G/GG, F-R 20	40

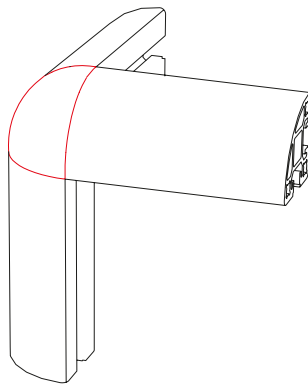
## Functional profiles

# Accessories M-BLOCAN®

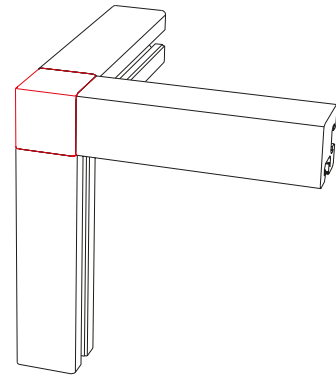
### Corner joint R / GG with corner cap

- Connecting element for the rectangular assembly of edge profiles R / GG 20.
- The profiles are connected to each other by means of the corner joint and screws.
- Centring pins facilitate the assembly and adjustment of the profiles. They can be snapped off with a pair of tongs if not required. In order to give this joint an attractive finish, it is covered with a plastic cap.

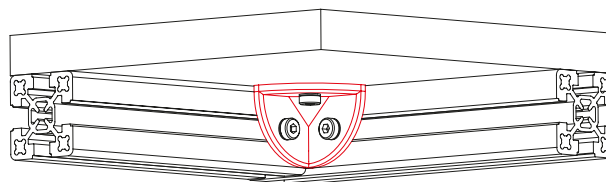
**Material:**  
Die-cast zinc corner joint,  
Plastic cap,  
Galvanised fastenings



Connection of "R-profiles"



Connection of "GG-profiles"



Corner joint as fixation element for the flush assembly of surface elements

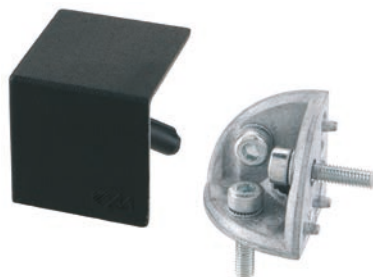


**Order instruction:**

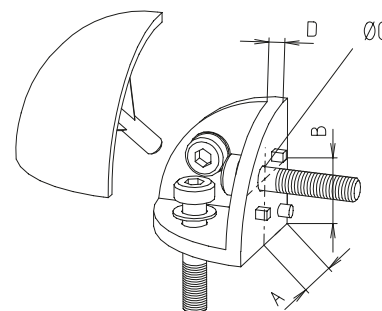
- Purchase only in lot sizes and a multiple of that see product table below



Complete corner joint R20



Complete corner joint G



Code No.	Type	lot sizes	Profiles	A	B	Ø C	D
E02043AAE	Complete corner joint, black	4, 8, 12... pcs	F-R 20	10	10	3.4	2.5
E02045AAE	Complete corner joint, black	4, 8, 12... pcs	F-20x20 F-G 20x20 F-GG 20x20	10	10	3.4	2.5
E02042AAE	Corner joint, (without cap and screws)	4, 8, 12... pcs	F-R 20 F-20x20 F-G 20x20 F-GG 20x20	10	10	3.4	2.5

[mm]

Code No.	Type	lot sizes	Colour
E02044DAE	Corner cap	10, 20, 30... pcs	black
E02044KAE			RAL 9006
E02044LAE			RAL 7035
E02044MAE			RAL 1021
E02044NAE			RAL 3020
E02044PAE			RAL 5005
E02046DAE	Corner cap	10, 20, 30... pcs	black
E02046KAE			RAL 9006
E02046LAE			RAL 7035
E02046NAE			RAL 3020
E02046PAE			RAL 5005

Black



White  
RAL 9006



Grey  
RAL 7035



Yellow  
RAL 1021



Red  
RAL 3020



Blue  
RAL 5005



Please note that due to typographical reasons the colours listed above can only be an approximate representation of the corresponding RAL colours.

## Functional profiles

# Accessories M-BLOCAN®

### Order instruction:

- Purchase only in lot sizes and a multiple of that see product table below

### Corner joint KL / KLE / KLK / KLA



Version KL



Version KLE

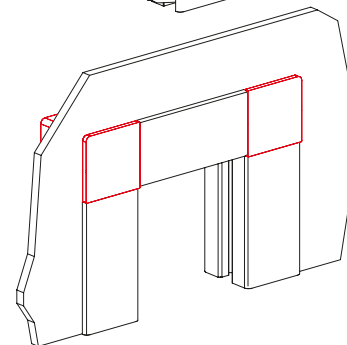
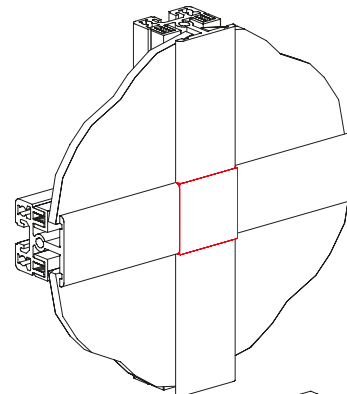
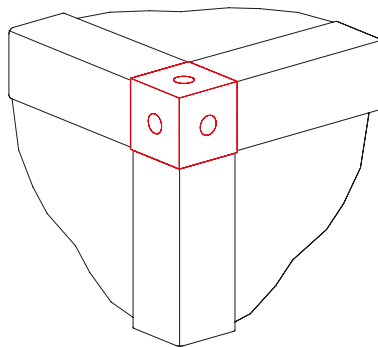
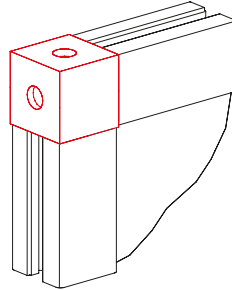


Version KLK



Version KLA

- Connecting element for the rectangular assembly of clamping profiles KL, KLD and KLE



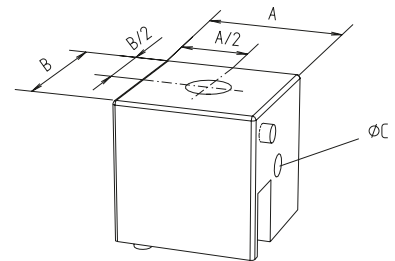
- The fastening screws are inserted directly into the profile which is torsionally secured by means of centring pins
- In the corner joints type KL and KLE, the boreholes for the screws can be tapped with a plastic cap.

### Material:

Black powder-coated aluminium

### Scope of delivery:

Comprises all the parts necessary for the assembly of two or three profiles



[mm]

Code No.	Type	lot sizes	A	B	C
E04036BHE	KL 20	–	20	20	3.4
E09035BHE	KLE 20	–	20	20	3.4
E00041BHE	KLK 20	–	20	20	3.4
E04059BHE	KLA 20	–	20	20	3.4
<b>Plastic caps (black)</b>					
E00061DAE	KL/KLE 20	100, 200, 300...pcs	–	–	–



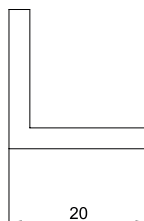
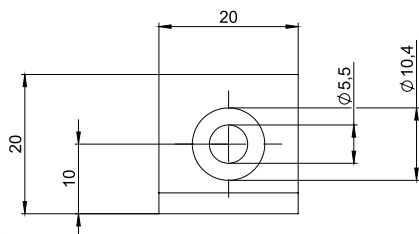
## Functional profiles

# Accessories M-BLOCAN®

## Profile angle bracket

**Material:**  
Powder-coated steel  
(aluminium coloured)

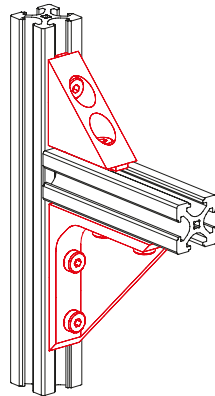
**Scope of delivery:**  
without fixation set



Code No.	Type	Slot geometry
E00005BAE	20	All
E00018CAE	Fixation set 20	20



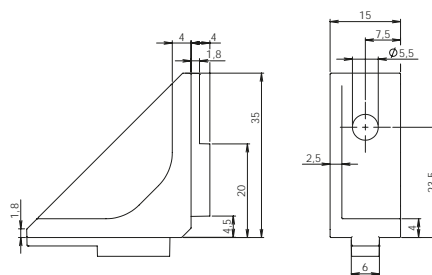
## Angle bracket



**Material:**  
Die-cast aluminium

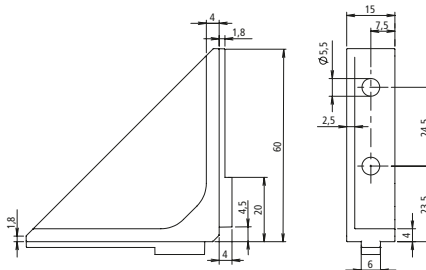
**Scope of delivery:**  
without fixation set

### 35x35-1



Code No.	Type	Slot geometry
E00062EDE	Angle bracket 35x35-1	20
E00065AAE	Fixation set	20

### 60x60-1



Code No.	Type	Slot geometry
E00063EDE	Angle bracket 60x60-1	20
E00066AAE	Fixation set	20

## Functional profiles

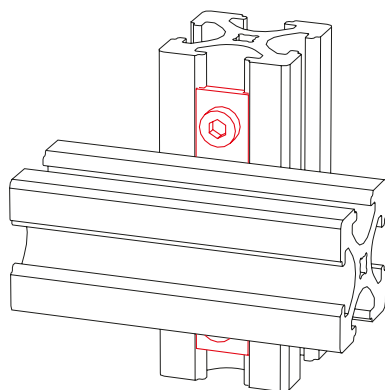
# Accessories M-BLOCAN®

### Mitre joint -transverse-

- This assembly set is used to achieve cross connections without drilling.
- The profiles are adjustable and can be later added to existing constructions.
- The parts are self-centring so that no adjustment of the profiles is needed.

**Material:**  
Galvanised steel

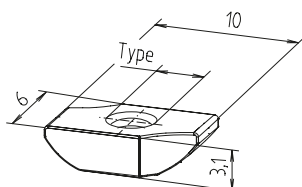
**Scope of delivery:**  
Complete with fixation set



Code No.	Type	Version
E00016AAE	20	with slot stone -B-

**Order instruction:**

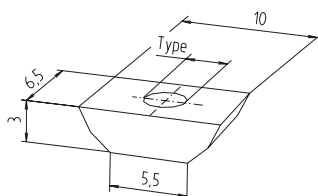
- Purchase only in lot sizes and a multiple of that see product table below

**Slot stone -B-**


Code No.	Type	lot sizes
E00017CEE	M3	10, 20, 30... pcs
E00058CEE	M4	10, 20, 30... pcs

**Material:**  
Galvanised steel

- For the fixation of flange brackets, profile connectors and angle brackets
- The slot stone can be inserted into the slot at any desired position and turns in the correct clamping position when tightening

**Slot stone -PLM-**


Code No.	Type	lot sizes
E00037CEE	M3	10, 20, 30... pcs
E00038CEE	M4	10, 20, 30... pcs
E00039CEE	M5	10, 20, 30... pcs

**Material:**  
Galvanised steel

- For the fixation of flange brackets, profile connectors and angle brackets
- The slot stone PLM is inserted into the profile laterally

**Screws**

**Material:**  
Galvanised steel



DIN 7516-D



DIN 912

Code No.	Type	lot sizes	Usage
E00029CEE	M3x6 / DIN 912	100, 200, 300... pcs	Slot stone -B-
E00033CEE	M3x12 / DIN 7516-D	100, 200, 300... pcs	Fix. Flange bracket/Profile

## Functional profiles

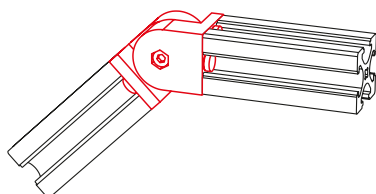
# Accessories M-BLOCAN®

### Profile joint

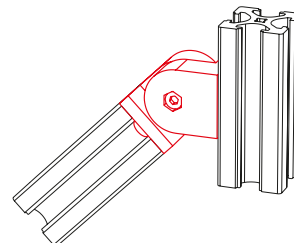
- Depending on the fixation set, for an end-to-end connection or the fixation to the longitudinal slots.
- Continuously adjustable through 180°, it can be fixed in any desired position by means of a clamping screw

**Material:**  
Black fibre-glass reinforced plastic,  
Galvanised steel fixation

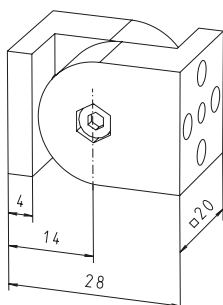
**Scope of delivery:**  
Complete with fixation set and  
centring pins



End to end



End to slot



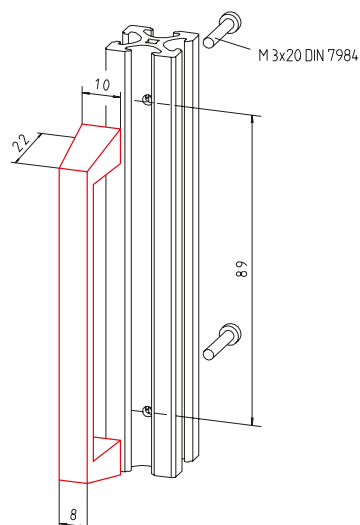
Code No.	Type	Version
E00002AAE	20	End to end
E00003AAE	20	End to slot
E00004AAE	20	Slot to slot

### Handle



**Material:**  
Die-cast zinc, black

**Scope of delivery:**  
Complete with fixation set



Code No.	Type	for profile
E00022AAE	T-100	all except R20



### Butt hinge

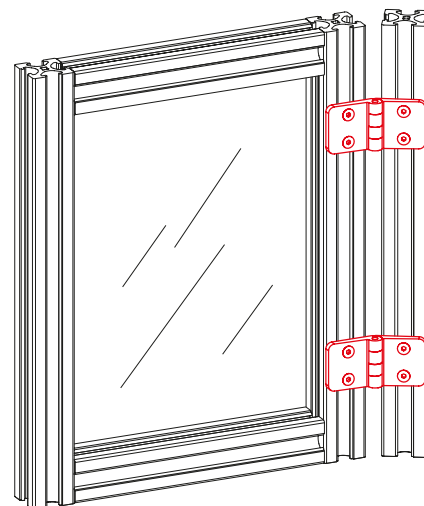
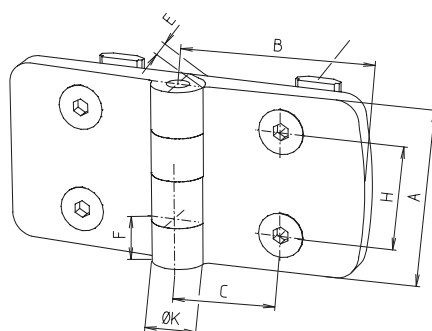
- Can be attached to all support profiles with slots and surface elements

**Material:**  
Black plastic

**Scope of delivery:**  
Complete with fixation set



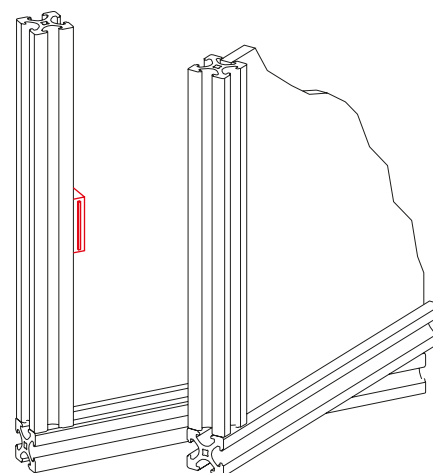
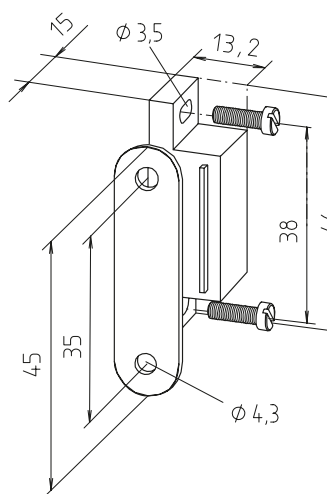
M4x8 DIN7991  
Slot stone -B- M4



Code No.	Type
E00049DAE	Butt hinge 20 with fixation set

### Magnetic lock

**Material:**  
Plastic, galvanised steel parts  
**Scope of delivery:**  
Complete with fixation set



Code No.	Type	for profile
E00023AAE	Surface element with frame	all

## Functional profiles

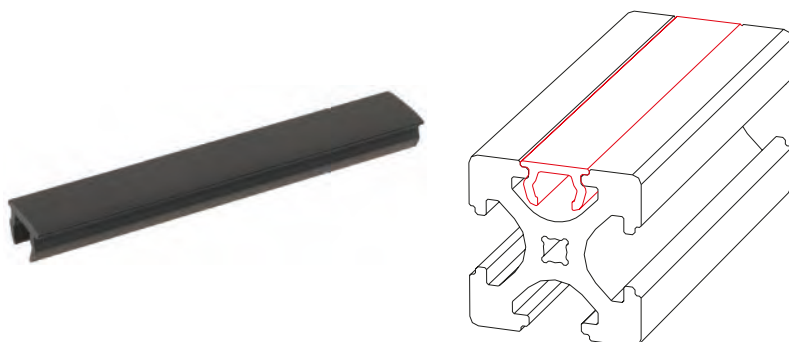
# Accessories M-BLOCAN®

### Cover profile







- For a flush covering of longitudinal slots, protecting against dirt and retaining cables laid in the slots

**Material:** Plastic

Please note that due to typographical reasons the colours listed above can only be an approximate representation of the corresponding RAL colours.



Code No.	Type		
E00024D_C	Bar	coloured	2000mm

Colour of cover profile			
—	L		Grey RAL 7035
—	K		White RAL 9006
—	M		Yellow RAL 1021
—	N		Red RAL 3020
—	P		Blue RAL 5005
—	A		Black RAL 9005

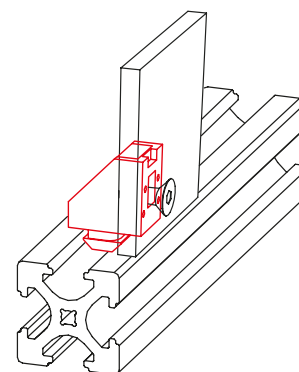
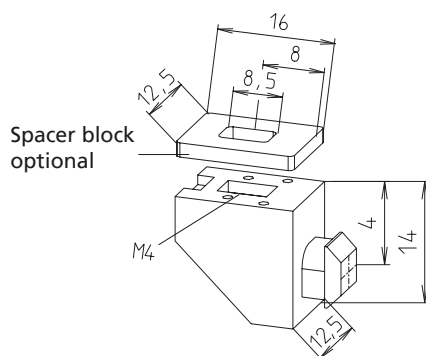
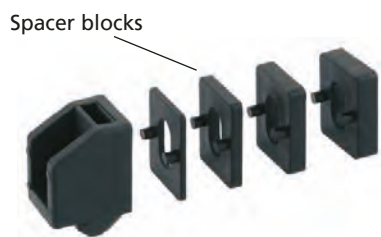
**Order instruction:**

- Purchase only in lot sizes and a multiple of that see product table below

**Vario-Quick holding block S**

- In contrast to the Vario-Quick holding block R, here the surface element is screwed to the Vario-Quick holding block S.

**Material:** Black plastic, Galvanised square nut

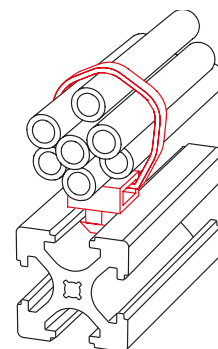
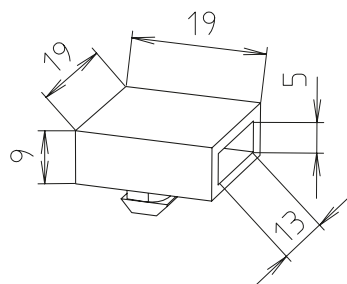
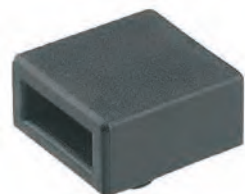


Code No.	Type	lot sizes
E00052DAE	Holding block S, 20 slot geometry	10, 20, 30... pcs
E00053DAE	Spacer block 1	10, 20, 30... pcs
E00054DAE	Spacer block 2	10, 20, 30... pcs
E00055DAE	Spacer block 3	10, 20, 30... pcs
E00056DAE	Spacer block 4	10, 20, 30... pcs

**Vario-Quick holding block K (cable bracket)**

- The holding block K is used for the fixation of cables and pipes to the profile by means of a cable fastener
- It can be inserted directly into the slot.

**Material:** Black plastic



Code No.	Type	lot sizes
E00060DAE	Holding block K, 20 slot geometry	10, 20, 30... pcs

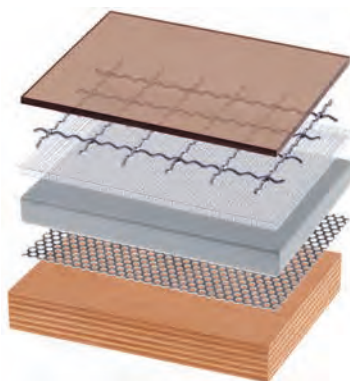
## Functional profiles

# Accessories M-BLOCAN®

Surface element

- For doors, cladding, partitions and table tops.

Cuts according to instructions!

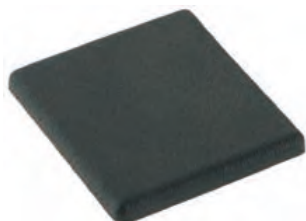


Code No.	Type	Thickness	Version	Max. panel size [m]	Weight [kg/m <sup>2</sup> ]
4018584	Macrolon	2 mm	transparent	3.05 x 2.05	2.40
4018586	Macrolon	4 mm	transparent	3.05 x 2.05	4.80
4018587	Macrolon	4 mm	tinted	3.05 x 2.05	4.80
4018576	Macrolon	6 mm	transparent	3.05 x 2.05	7.20
4018579	Macrolon	6 mm	Brown tinted	3.05 x 2.05	7.20
4018582	Acrylic glass	4 mm	Clear	3.050 x 2.050	4.80
4018595	Acrylic glass	5 mm	Clear	3.050 x 2.050	6.00
4018563	Acrylic glass	5 mm	Blue, transparent	3.050 x 2.030	6.00
4018575	Acrylic glass	6 mm	Clear	3.050 x 2.050	7.20
4018577	Acrylic glass	10 mm	Clear	3.050 x 2.050	13.00
4012576	Trespa	6 mm	brown	3.65 x 1.86	8.40
4012586	Trespa	6 mm	silver grey	3.65 x 1.86	8.40
4018570	Koematex	6 mm	white	3.05 x 1.56	4.20
4015573	Aluminium	2 mm	clear anodised	2.00 x 1.00	5.40
4016577	Wire mesh	2.5 mm	Galvanised steel	1.40 x 2.50	2.40






**Order instruction:**

- Purchase only in lot sizes and a multiple of that see product table below

**Caps**


- For end covering of profiles
- Thickness of caps 2 mm.

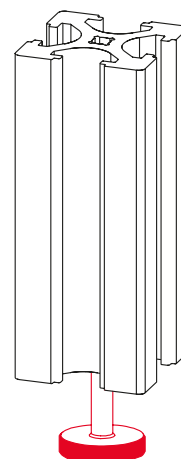
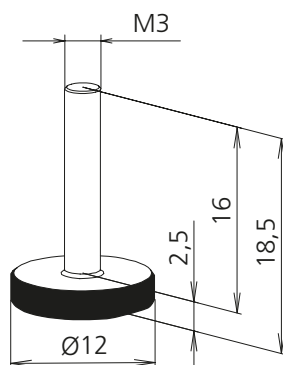
**Material:** Plastic  
Please note that due to typographical reasons the colours listed above can only be an approximate representation of the corresponding RAL colours.

-  Grey RAL 7035
-  White RAL 9006
-  Black RAL 9005

Code No.	Type	lot sizes	Colour
E01025DAE	20	10, 20, 30... pcs	black
E01025KAE			RAL 9006
E01025LAE			RAL 7035
E02025DAE	R 20	10, 20, 30... pcs	black
E02025KAE			RAL 9006
E02025LAE			RAL 7035
E03025DAE	20x40	10, 20, 30... pcs	black
E03025KAE			RAL 9006
E03025LAE			RAL 7035

**Foot**


- The foot is screwed directly into the screw channel of the M-BLOCAN® profile.
- Material:** Galvanised steel thread,



Code No.	Type	lot sizes
E00011CAE	20	10, 20, 30... pcs

Functional profiles

# Visible profiles of accessories (G-profiles)

## Versions



Connecting technology



Slot stones



Angle brackets



Vario-Quick holding block



Plastic foot



Levelling foot



Hinges



Handle profile



Handle



Magnetic lock



Caps



Cover caps



## Table of contents

<b>Accessories</b>	Connecting technology ..... p. 362
	Slot stones..... p. 366
	Angle brackets ..... p. 367
	Vario-Quick holding block S ..... p. 367
	Plastic foot..... p. 368
	Levelling foot ..... p. 368
	Hinges ..... p. 369
	Handle profile ..... p. 374
	Handle..... p. 374
	Magnetic lock..... p. 374
	Caps..... p. 375
	Cover caps..... p. 375

## Functional profiles

# Connecting technology G-profiles

- G-profiles are connected by simple screw connections which are directly screwed into the screw holes of the profiles.



- A through bore hole is drilled into the passing profile of the connection using a template.
- Only one cylinder screw, (40 mm-profile), or two cylinder screws in case of the 40 x 80 mm-profile, is necessary for a rigid connection.

Through bore hole  $\varnothing$  6.5 mm  
for rotation preventing pin

- Optionally, the clamping bolt connection can also be used in a similar way.
- For crossing connections, a special connecting element (see page 364) is being offered.
- Position the drilling template and drill the through bore hole of  $\varnothing$  6.5 mm. If necessary, in case the profile G-40 is used, drill an additional bore hole for the rotation preventing pin.

Code No.	Type
4006650	Drilling template

### Order instruction:

- Purchase only in lot sizes and a multiple of that see product table below

### Connection with cylinder screw



- For cylinder screw connections, the top side is drilled out to  $\varnothing$  11 mm until the bottom of the first slot is reached.

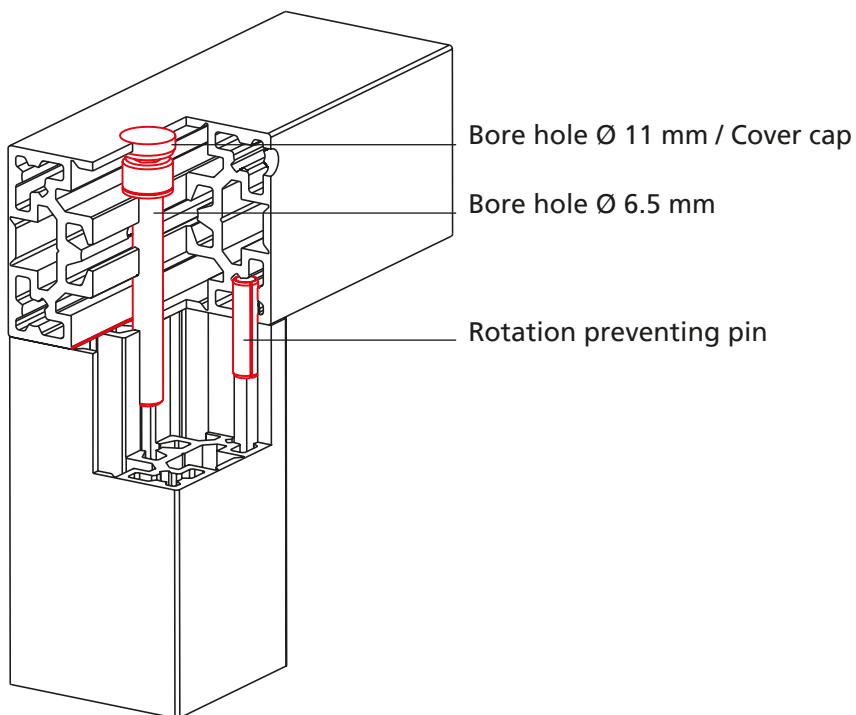
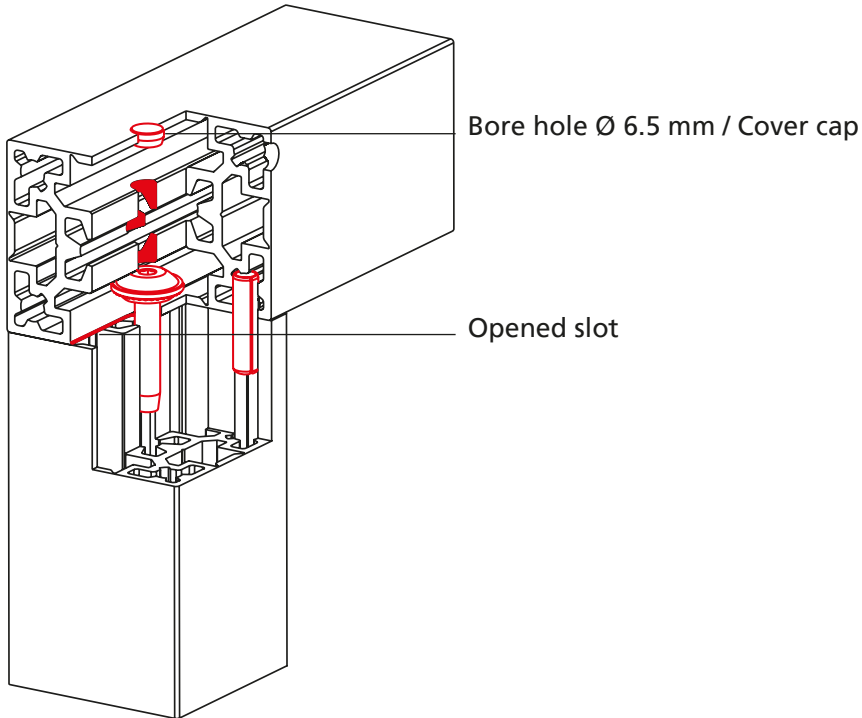
Code No.	Type	lot sizes
4B60504	Cyl. screw M6x80, A2	100, 200, 300... pcs
4B60505	Cyl. screw M6x90, A2	100, 200, 300... pcs

### Connection with hidden screw



- For the hidden screw connection, the profile slot is levered out or preferably chiselled out precisely using the RK tool (see page 365). After that, the hidden screw can be slid in from the side. Refer to the sketch on page 347.

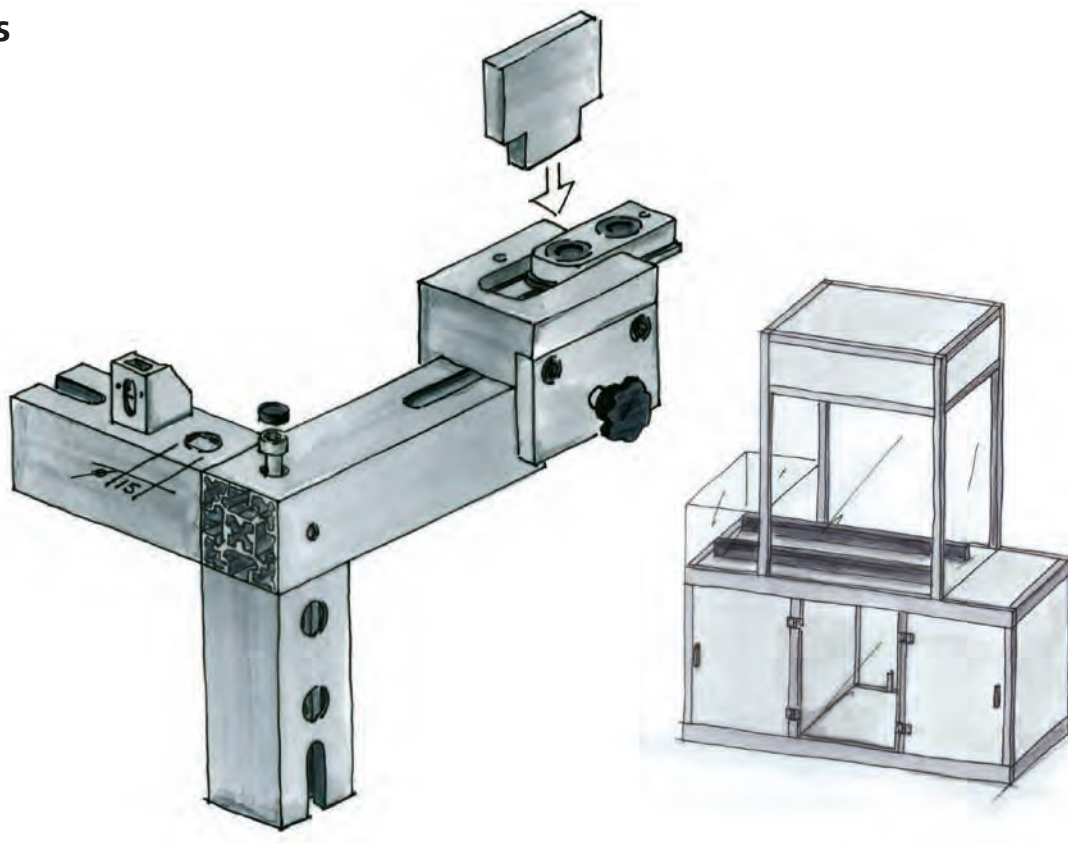
Code No.	Type	lot sizes
4B605021	Hidden screw M6X30, galvanised	10, 20, 30... pcs



## Functional profiles

# Connecting technology G-profiles

## Versions



### G-connectors

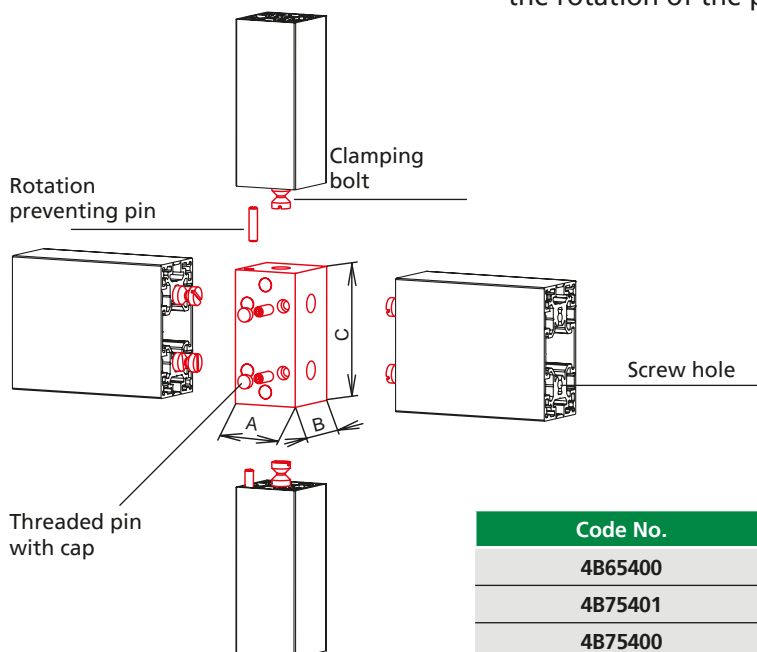


- The G-connector serves for connecting crossing G-profiles to each other (without profile processing). For this, the clamping bolts are inserted into the screw hole and then the profile is clamped by tightening the threaded pins. The profile G-40x40 has a pin that prevents the rotation of the profiles.

**Material:** Aluminium

#### Scope of delivery:

The order number involves all parts needed for the complete assembly of a connection.

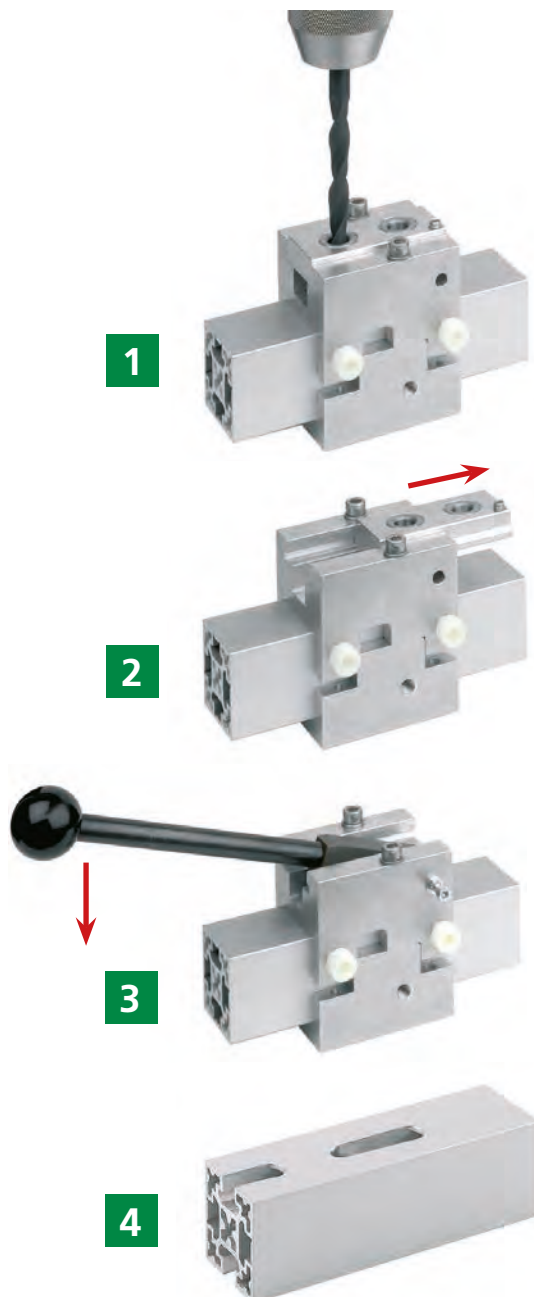


Code No.	Type	A	B	C
4B65400	K 40	40	40	40
4B75401	K 40/80	40	40	80
4B75400	K 80	80	40	80

## Opening of the profile slot

### Drill and chisel tool for G-profiles

- When the G-profiles were designed, special attention was given to the fact that, if necessary, the hidden profile slots shall be accessible. This is possible simply by chiselling out the covered slot. In this way, accessories can be attached without problems or the profiles can be connected to each other.



1.) A bore hole is drilled on the end points of the desired position. For attaching accessories, two bushes are installed in a defined distance.

2.) After that, the drilling template is removed.

3+4.) The profile slot is chiselled out using a stamp.

Code No.	Type
4006651	Drill and chisel tool 40
4006653	Drill and chisel tool 80

# Accessories G-Profiles



### Order instruction:

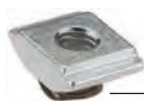
- Purchase only in lot sizes and a multiple of that see product table below

- The slot stones can also subsequently be placed or inserted into the profile groove.

**Material:** Galvanised steel

### Slot stones

-F-



Spring clip

-K-



Spring clip

-R-



- The slot stone with spring clip (type-F/K-) can be fixed at any desired position.

[mm]

Code No.	Type	lot sizes	A	B	C	D	E
4006715	-F- / M4	10, 20, 30... pcs	10	14	4	-	M4
4006713	-F- / M5	10, 20, 30... pcs	10	14	4	-	M5
4016212	-K- / M6	10, 20, 30... pcs	21	14	4	7	M6
4016213	-K- / M8	10, 20, 30... pcs	21	14	4	7	M8
4026221	-R- / M6	10, 20, 30... pcs	15	8	10	-	M6
4026222	-R- / M8	10, 20, 30... pcs	15	9	10	-	M8

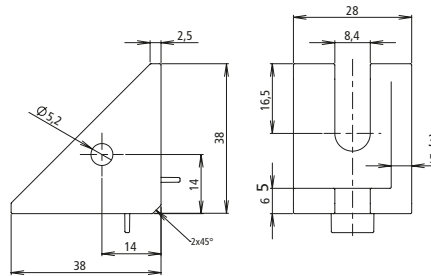


**Order instruction:**

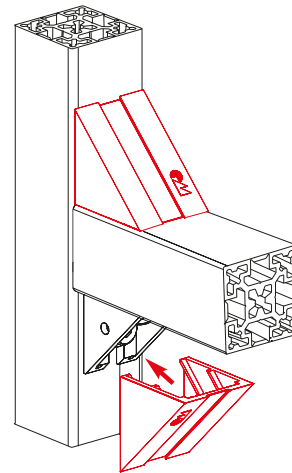
- Purchase only in lot sizes and a multiple of that see product table below

**Angle brackets**


- A centring nib facilitates the assembly and prevents the bracket from twisting. Should the nibs not be required, they can be snapped off with a pair of tongs.
- Angular tolerance  $90^{\circ} \pm 5'$ .



**Material:** Die-cast zinc,  
Cover made of plastic RAL9006  
Fixation set made of stainless steel

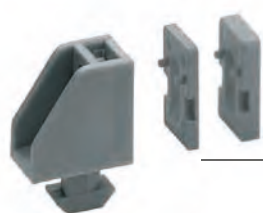


Code No.	Type	lot sizes
4014102	Angle bracket 40	10, 20, 30... pcs
4018104	Plastic cap 40, RAL 9006	10, 20, 30... pcs
4029208	Fixation set M8x16, slot stone -N-	1 slot stone with screw, washer

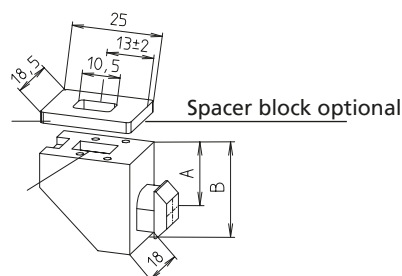
**Vario-Quick holding block S**

- Used for the later fixation of surface elements to existing profile constructions.
- The surface element is screwed to the holding block.
- Spacer blocks allow for different distances to the profile edge.

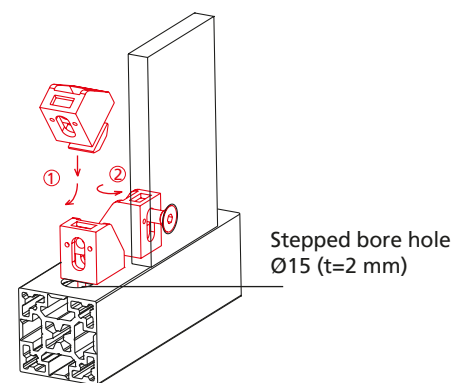
**Material:** Plastic, RAL 9006  
Stainless steel square nut



Spacer blocks



Square nut M


 Stepped bore hole  
Ø15 (t=2 mm)

Code No.	Type	lot sizes	Version	A	B	M
40181461	Holding block S	10, 20, 30... pcs	40 slot geometry	10	25	M4
40181341	Holding block S	10, 20, 30... pcs	40 slot geometry	10	25	M6
40181371	Spacer block S/L	10, 20, 30... pcs	3 mm		-	
40181381	Spacer block S/L	10, 20, 30... pcs	5 mm		-	
4006648	Stepped drill	-	Ø 8 / 15		-	
4006649	Countersink	-	Ø 15 - 90°		-	

[mm]

Functional profiles

# Accessories

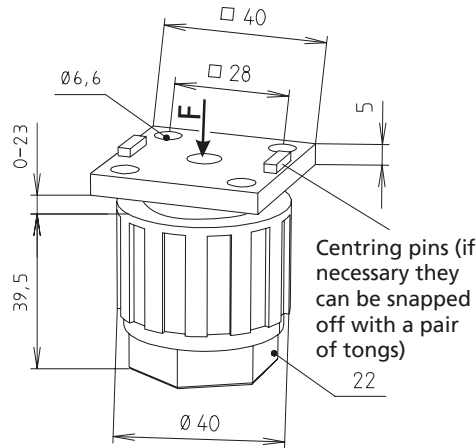
## Foot –plastic–



- Thanks to its attractive design, the plastic foot can be considered an alternative to the conventional swivel feet.
- The height adjustment does not require tools.

**Material:** Plastic RAL9006

**Scope of delivery:** complete foot with fastenings to be applied to a profile.



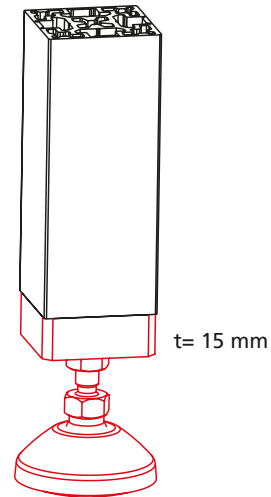
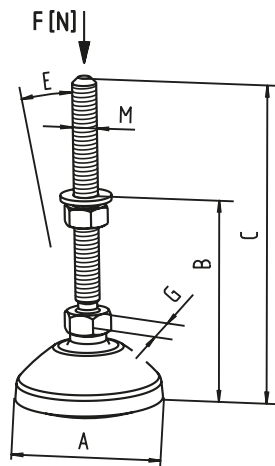
Code No.	Type	F [N]
4018302	40 slot geometry	1200

## Levelling foot



- The levelling feet are screwed into the profile using the connecting plate at the face.
- Note: If the profile G 40 x 40 mm is used, the middle screw hole has to be drilled out.

**Material:** Thread and screws made of stainless steel, hinge disc made of plastic (RAL9006), connecting plates made of aluminium.



Code No.	Type	A	B <sub>min.</sub>	C	M	E	G	F [N]
4016321	Levelling foot	39	38.5	55	M8	20°	14	9,000
4016322		59	40	100	M10	20°	14	10,000
4016323		79	42	128	M12	20°	14	10,000

Code No.	Type	A	Profile
4014432	Connecting plate	M8	G-40x40
4014433		M10	G-40x40
4014434		M12	G-40x40

Code No.	Type	A	Profile
4034434	Connecting plate	M8	G-40x80
4034432		M10	G-40x80
4034433		M12	G-40x80

## Hinges 2-part

- The hinges can be mounted on all brace profiles and/or surface elements. In case of lift off hinges, flaps and doors can be removed easily.

**Material:** Aluminium, Steel parts made of stainless steel  
A fixation set (assembly of profiled parts) is supplied with the unit.

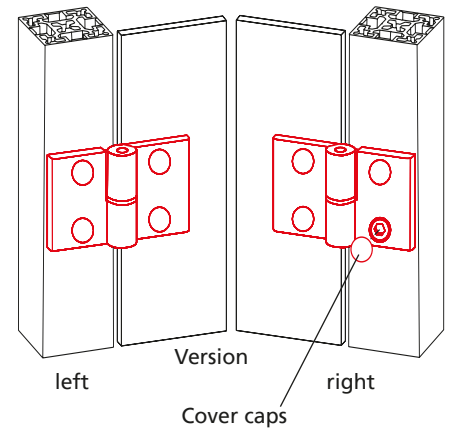
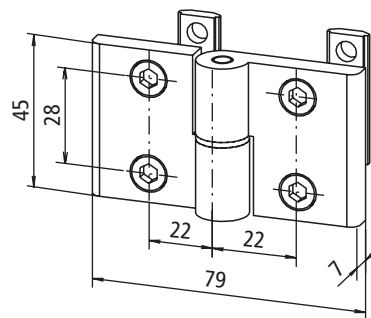
Lift off hinges



Butt hinge



Slot stone -L- M6



Code No.	Type	Slot geometry
4015510	Lift off hinge -left-	40
4015511	Lift off hinge -right-	40
4015513	Butt hinge	40

## Hinges 3-part

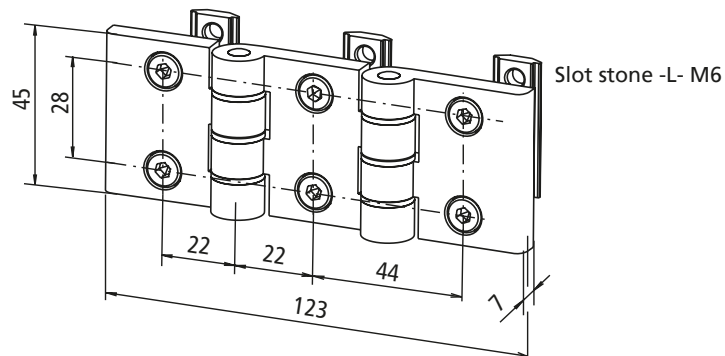
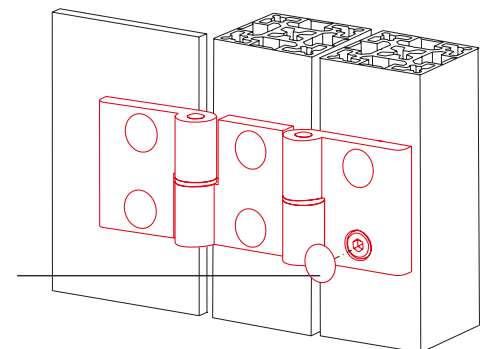
Lift off hinge



Butt hinge



Cover cap



Code No.	Type	Slot geometry
4015512	Lift off hinge	40
4015514	Butt hinge	40

Functional profiles

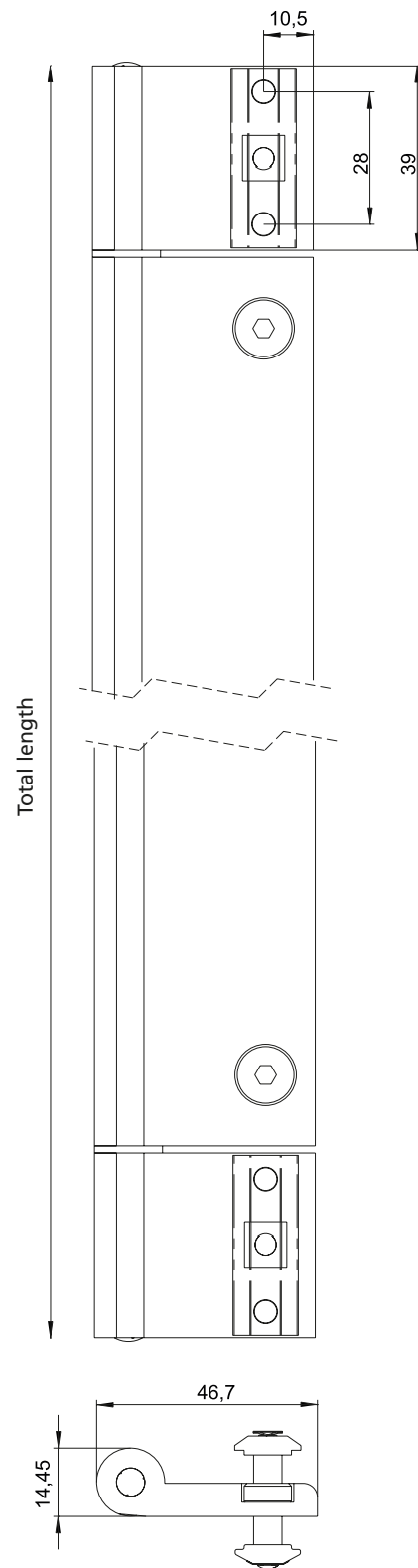
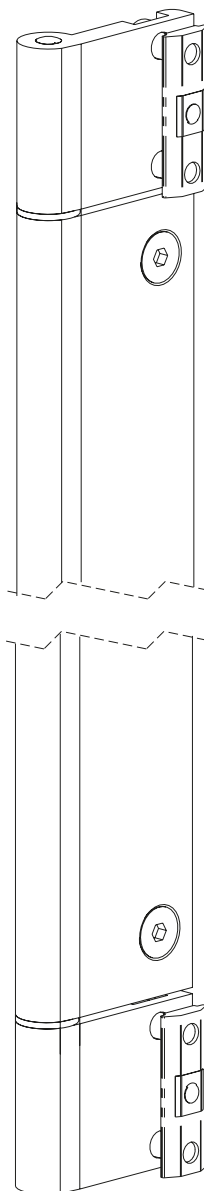
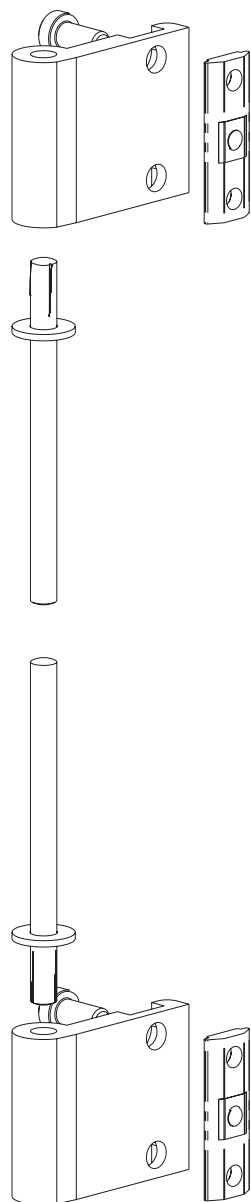
# Accessories

## Piano hinge

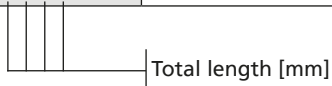
- Variable in length
- Taylor-made orderable

**Material:**  
aluminium clear anodized  
sliding disks plastic  
dowel pins, galvanised steel

**Includes:**  
complete with fixing set



Code No.	Type	length	Max. length	Slot geometry
4010627	Band hinge complete	200	2500	40





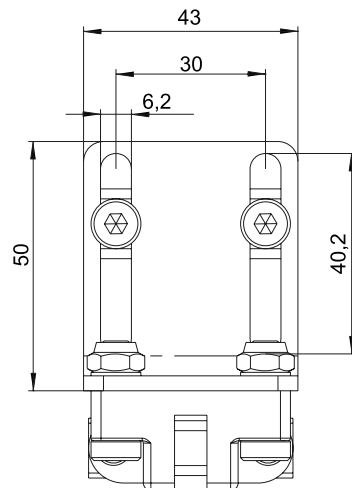
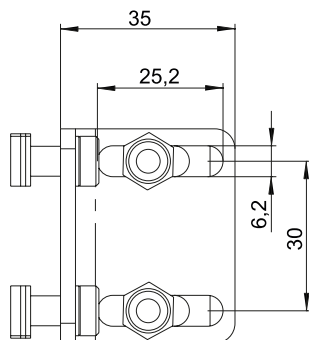
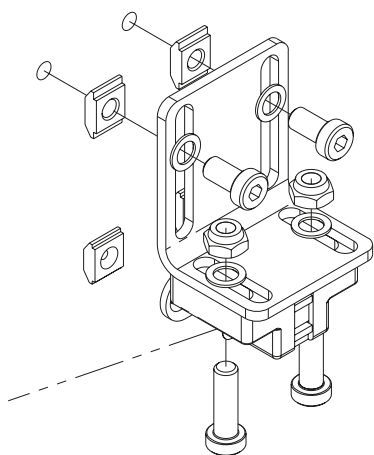
## Functional profiles

# Accessories

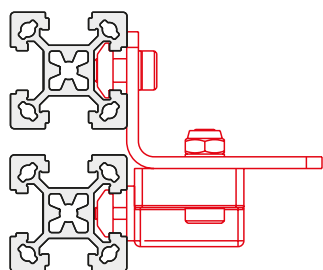
### Magnetic lock universal

- Suitable from profile size 30 for all assembly versions
- Holding force 10/20 N depends on mounting direction

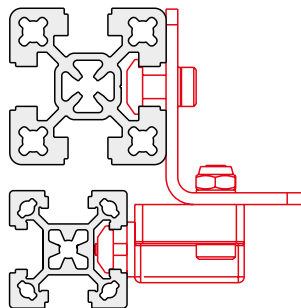
**Material:**  
polyamide glasfibre reinforced  
steel parts zincplated



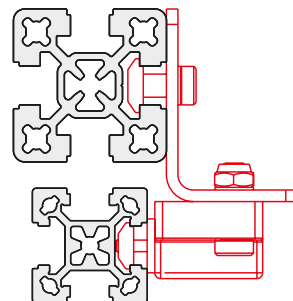
#### • Assembly versions



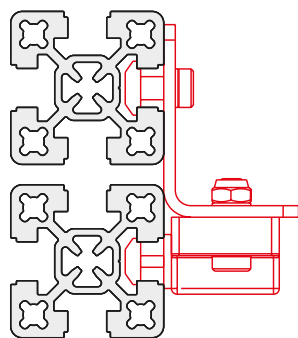
30 to 30 - Profile



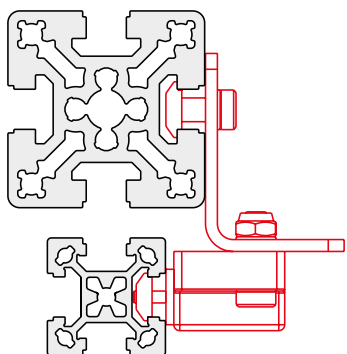
30 to 40 - Profile flush



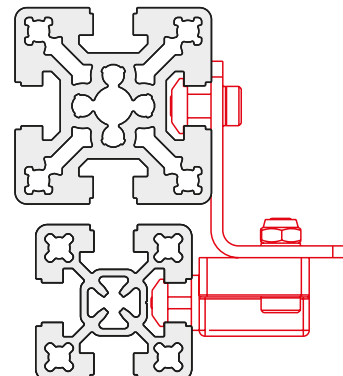
30 to 40 - Profile centred



40 to 40 - Profile



30 to 50 - Profile centred



40 to 50 - Profile centred

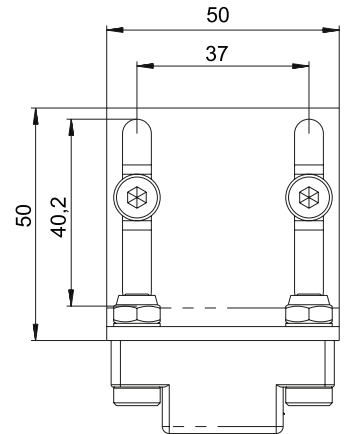
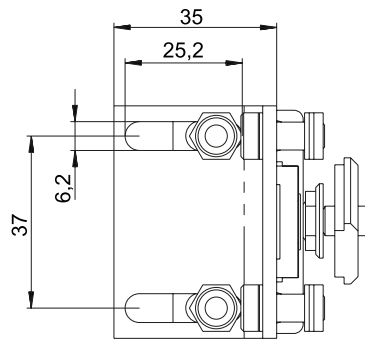
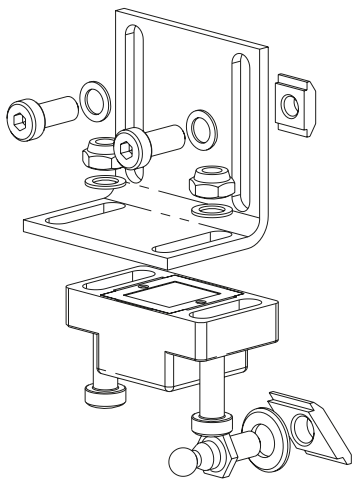
Code No.	Type	Slot geom.
4010625	Magnetic lock universal with fixing set	30/40
4010626	Magnetic lock universal without fixing set	—



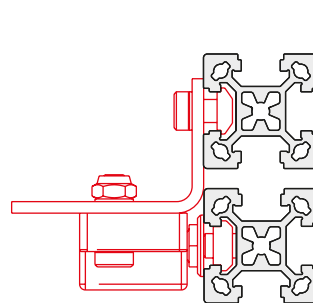
### Ball catch universal

- Suitable from profile size 30 for all assembly versions
- Holding force 50 N

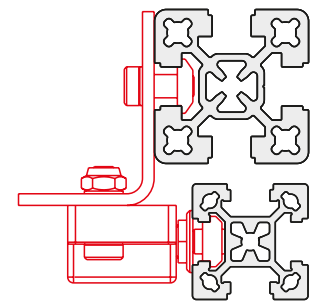
**Material:**  
polyamide glasfibre reinforced  
steel parts zinplated



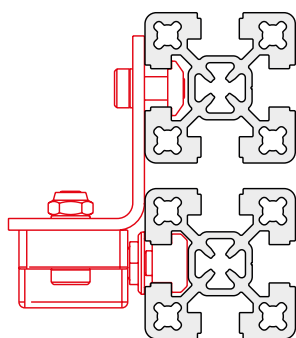
- Assembly versions



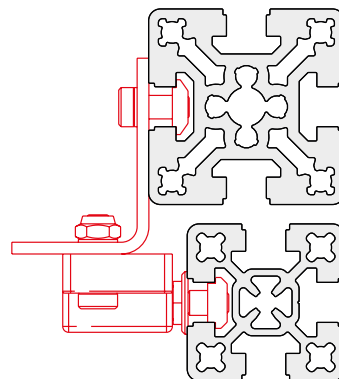
30 to 30 - Profile



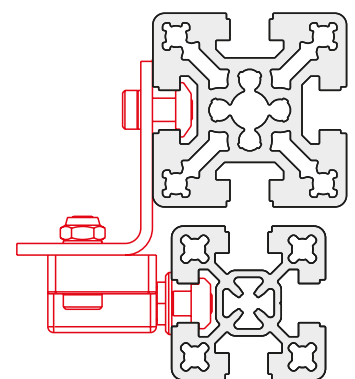
30 to 40 - Profile flush



40 to 40 - Profile



40 to 50 - Profile flush



40 to 50 - Profile centred

Code No.	Type	Slot geom.
4010630	Ball catch universal with fixing set	30/40
4010631	Ball catch universal without fixing set	—

## Functional profiles

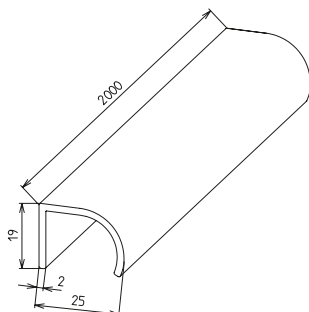
# Accessories

### Handle profile



- The stylish handle profile is available in bars that can be cut to length if required. Fitting holes are to be bored by the customer.

**Material:** Aluminium



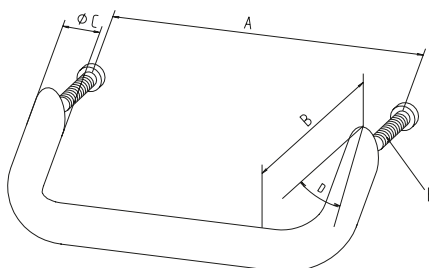
Code No.	Type
4015595	Handle profile, bar 2000 mm

### Handle



- Complete with fastenings

**Material:** Aluminium, powder-coated RAL 9006, Galvanised fixation set



[mm]

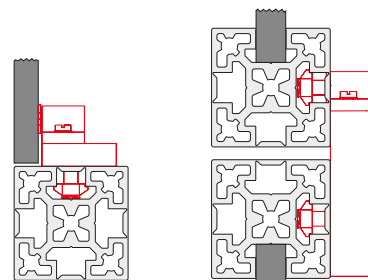
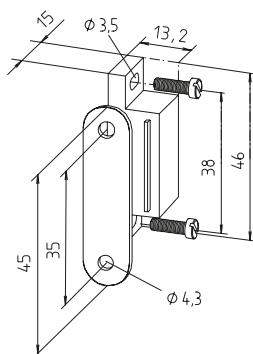
Code No.	Type	A	B	C	D	E
4015599	Handle	128	50	20	35°	M6x40

### Magnetic lock



- Magnetic lock complete with holder and fixation set.

**Material:** Plastic, galvanised steel parts, aluminium holder, stainless steel fixation set



Type 1: without frame / Type 2: profiles central

Code No.	Type
4010605	1. without frame
4010604	2. profiles central

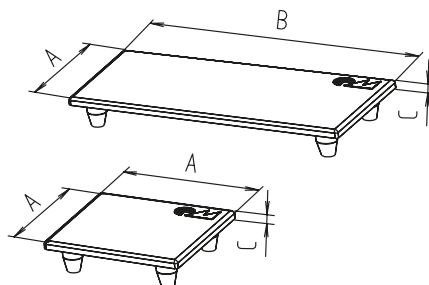


**Order instruction:**

- Purchase only in lot sizes and a multiple of that see product table below

**Cover cap**


- Plastic cover cap for end covering of G-profiles.

**Material:** Plastic, RAL9006


[mm]

Code No.	Type	lot sizes	A	B	C
4B68421	4G-40x40	10, 20, 30... pcs	40	40	3
4B78421	4G-40x80	10, 20, 30... pcs	40	80	3

**Cover caps**


- The screw heads and drill bores of the accessories are covered with caps. If necessary, they can be re-ordered as a pack.

**Material:** Plastic RAL 9006

Code No.	Type	lot sizes
4B685001	Hidden screw	100, 200, 300... pcs
4B685011	Cylinder screw	100, 200, 300... pcs
40185031	Hinges	100, 200, 300... pcs
4B685021	G-connector	100, 200, 300... pcs