



Video with functional description

Height-adjustable monitor floor stand

Ergonomic standing workstation

Height adjustment for monitors



Cable guide



Height adjustment table top (locking bolt)



Tie rod



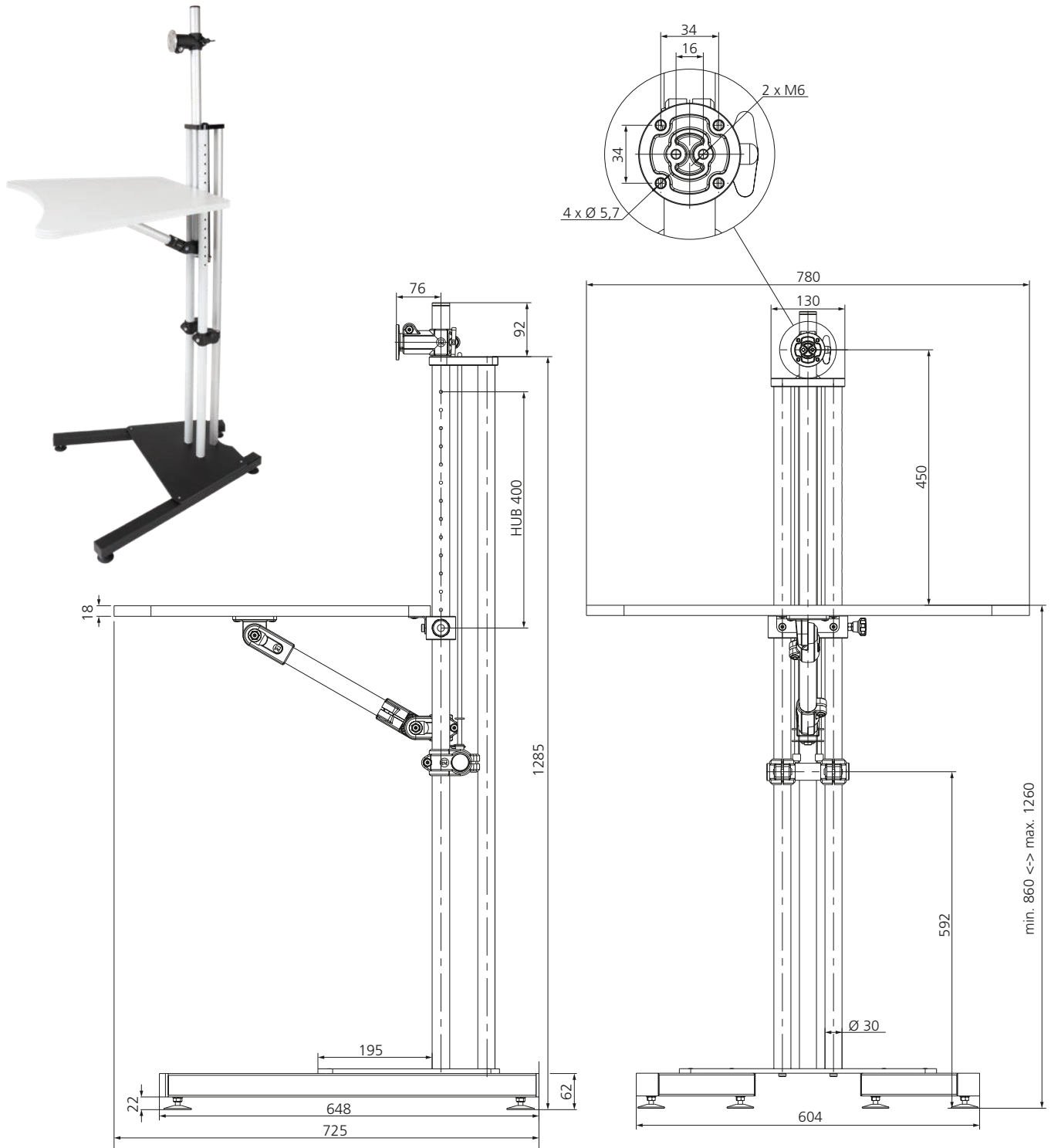
Optional: Lockable steering roller



Height-adjustable monitor floor stand

Features:

- Travel 400mm max. (31 mm steps)
- Manual adjustment without tools of the work surface with tie rod support
- Safe locking of the height adjustment by spring-loaded locking bolt
- Stable construction with adjustable feet, optionally with steering roller
- Robust, coated working surface
- Integrated cable channel
- Mounting for monitor pre-assembled, optionally combinable with all RK monitor mountings



Code No.	Weight
193000078C66	22,2 kg