



RK ROSE+KRIEGER

A Phoenix Mecano Company

NEW

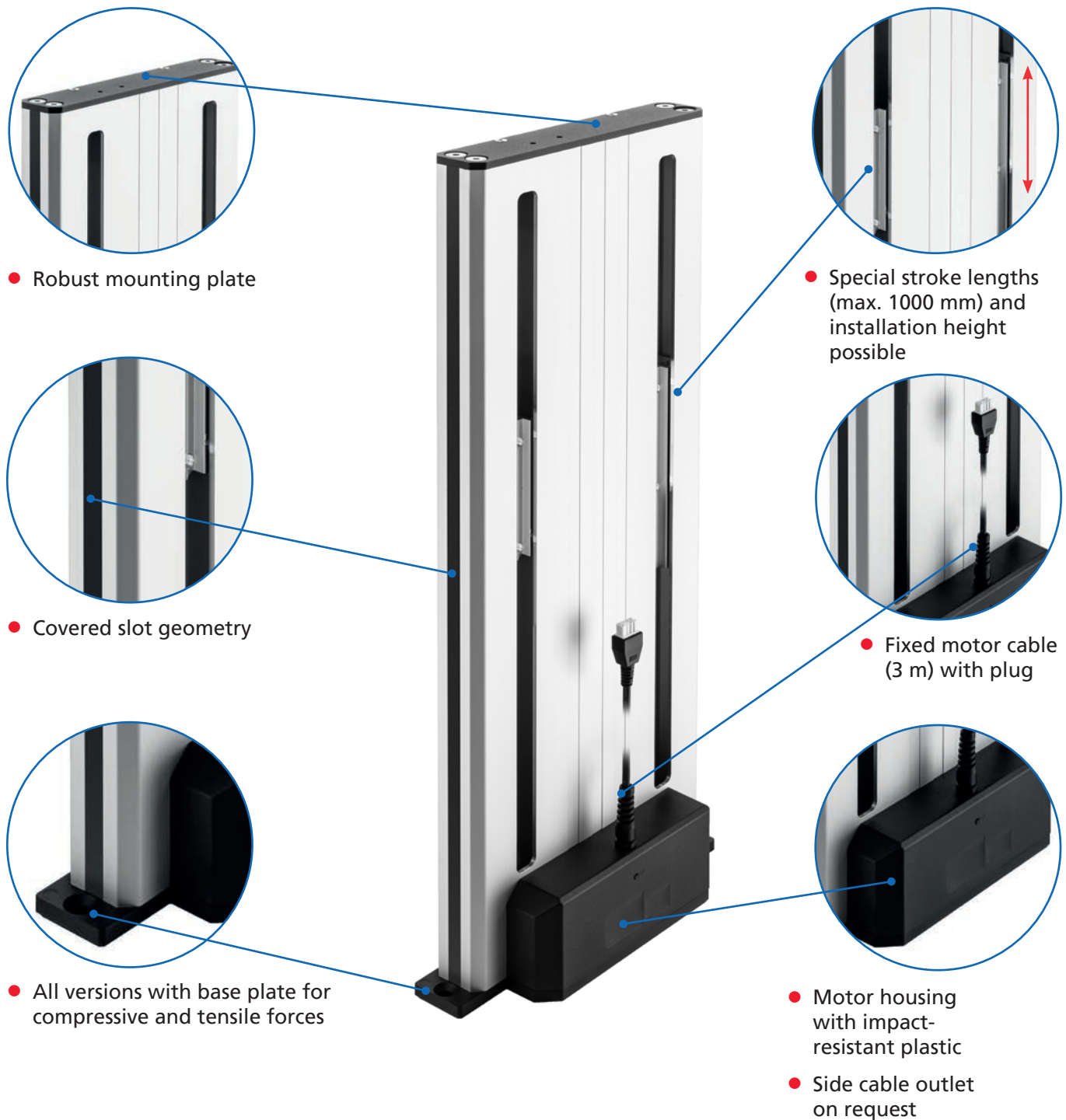
Multilift II with internal carriage

Versatile usability
for your application



Multilift II with internal carriage

Slimline design makes for great versatility



Highlights / Features:

- Integrated limit switches
- Self-locking, even at max. load
- Lateral fixing slot in external profile
- Position feedback by hall sensor

Options:

- Special stroke lengths and installation height available on request
- With synchronous control:
 - Cascading of several columns
- Customised solutions on request

Table of contents

Versions lifting columns	Multilift II with internal carriage	page 4
---------------------------------	---	--------

Accessories (Fixing)	RK SyncFlex	page 8
	Mounting bracket	page 9
	Support struts	page 9
	Foot versions.....	page 10

Multilift II with internal carriage

Technical data

General information/operating conditions

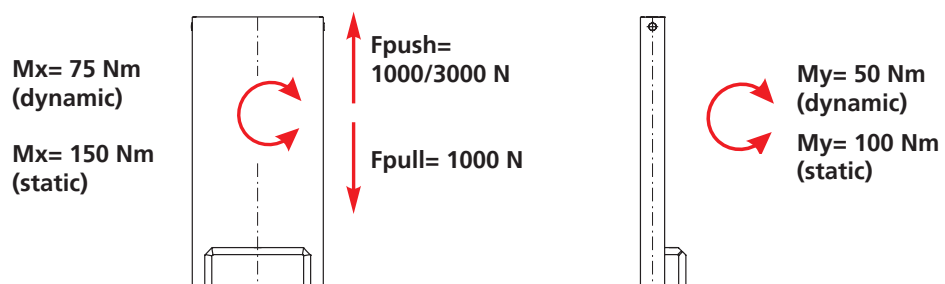
Type	Multilift II with internal carriage	Custom
Design	Slim lifting column	
Guide	POM slide bearings	
Installation position	Any position / hanging only with drop protection provided by the customer	
Push force	3000 N or 1000 N	
Pull force	3000 N or 1000 N	
Self-locking	Yes	
Max. travel speed	8 mm/s or 16 mm/s	
Max. Stroke	500 mm	1000 mm
Installation dimension	Stroke + 210 mm	
Voltage	28 V DC	
Current output	4 A	
Protection class	IP 10	
Ambient temperature	+5°C to +40°C	
Displacement during synchronous operation	0 to 2 mm	
Duty cycle (Operation mode S3)	At nominal load, 10% (2 min operating time, 18 mins rest time)	

Note:

All information refers to the standard sizes. All data of push/pull forces are referring to the individual lifting column, for combined applications a safety factor of up to 0,6 has to be considered.

In **medical applications**, the maximum pull force of 500 N and, in the case of the version with a travel speed of 8 mm/s, the maximum push force of 2500 N must not be exceeded.

Load data Multilift II with internal carriage



Drive	Push force [N]	Travel speed [mm/s]	Number of assigned motor channels			
			1	2	3	4
Multilift II with internal carriage	1000	16	✓	✓	✓	each 750 N
Multilift II with internal carriage	3000	8	✓	✓	each 2200 N	each 1500 N
			MultiControl II duo		MultiControl II quadro	

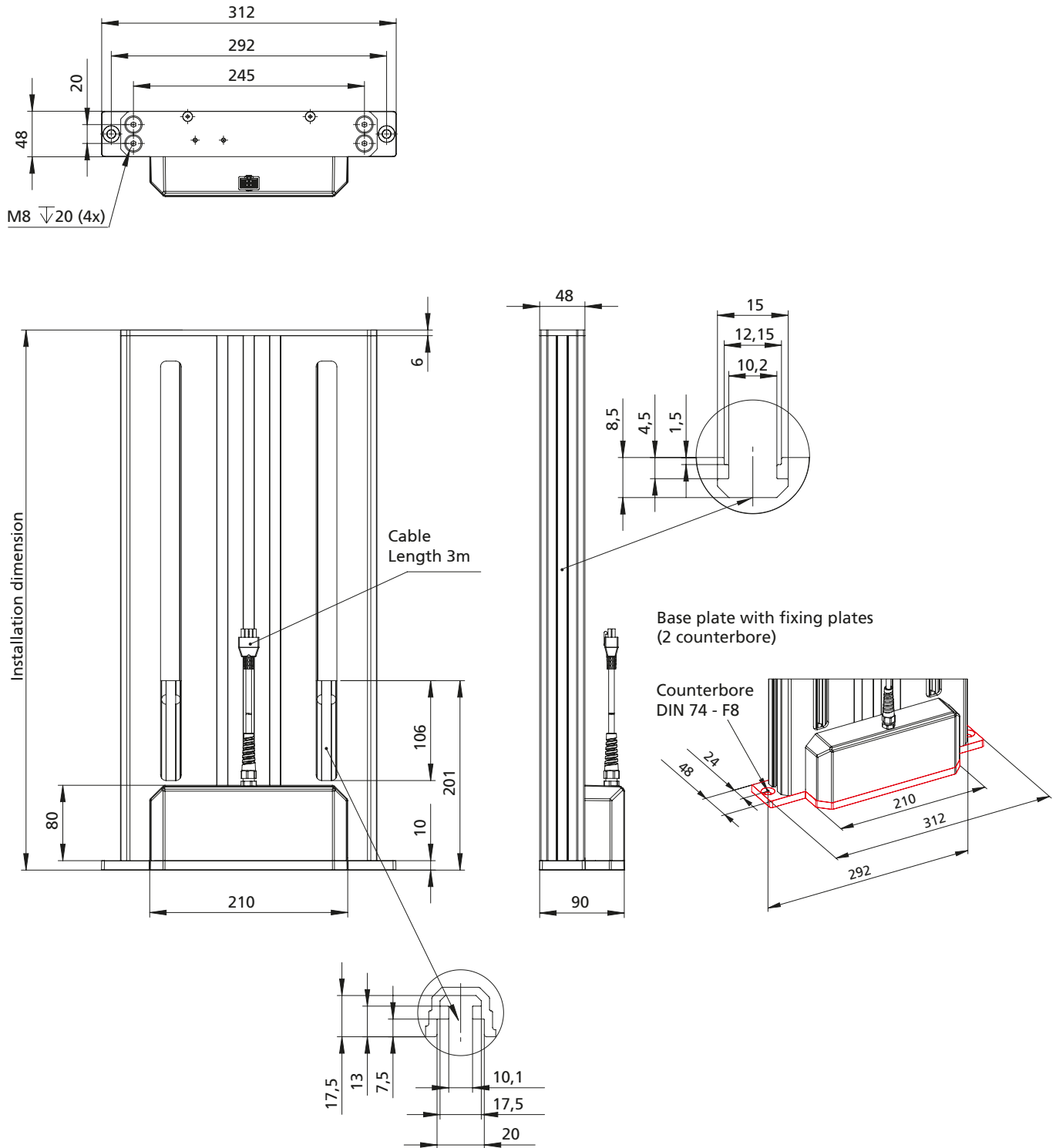
Note:

If more than 2 drives are to be operated synchronously at nominal load, BUS communication between two or more MultiControl II duo controllers is required.

The procedure for setting up BUS communication is described in detail in the operating manual.



Multilift II with internal carriage



The fixing slots on the side allow an easy attachment of accessories. For example, a screen, CPU bracket or system reinforcements can be fixed to the lifting columns by using slot stones. The 30 slot geometry is also compatible with the RK BLOCAN® aluminium profile system.

Multilift II with internal carriage

Versions

Multilift II with internal carriage – maximum versatility

Customer feedback formed the basis for a number of improvements to the design of the Multilift II. Our latest new feature is an assembly slot on both sides of the external profile of the electric lifting column, which is compatible with the RK Rose+Krieger aluminium profile system and can take corresponding slot stones. They allow additional attachments such as reinforcements, screening and so on to be mounted without any problems.



Special features:

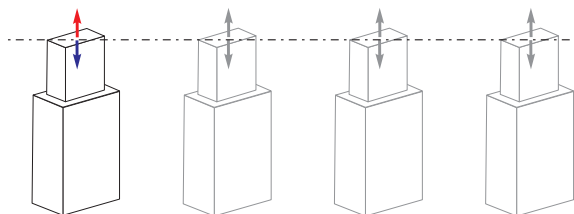
- Lateral fixing slots
- Captive plug connections
- Suitable for both tensile and compressive loads
- Internal carriage

Ideal area of application:

- Workplace ergonomics
- Industrial technology
- Media technology
- Materials handling

Lifting column and control as individual components:

Multilift II can be used exclusively in combination with MultiControl II duo and MultiControl II quadro



Features:

- Supports configuration of systems with up to 32 drives
- Wide-range input
- High duty cycle
- Simple connection to master control system
- Intuitive operation

Information about these products you will find on our RK website or in the complete catalogue **-lifting columns and electric cylinders- for the new control generation MultiControl II.**

Individual components: Multilift II with internal carriage



Code No.	Type	max. push force [N]	max. pull force [N]	max. lifting speed [mm/s]	Total travel [mm]	Installation dimension [mm]	Weight [kg]
TM24B1C3C22CF0362	Multilift II with internal carriage	3000 / 2500 (med.)	3000 / 500 (med.)	8	362,5	573	9,2
TM24B1C3C22CF0407					407,5	618	9,6
TM24B1C3C22CF0460					460	670	10
TM24B1C3C22CF0505					505	715	10,5
TM24B1C2C22CF0362	Multilift II with internal carriage	1000 / 1000 (med.)	1000 / 500 (med.)	16	362,5	573	9,2
TM24B1C2C22CF0407					407,5	618	9,6
TM24B1C2C22CF0460					460	670	10
TM24B1C2C22CF0505					505	715	10,5

Systemkomponenten

Code No.	Accessories	
Controls		
QST11H12AA000	MultiControl II duo - Basic	Multilift II / Multilift II with internal carriage
QST11H12AA022	MultiControl II duo - Premium	
QST11H14AA000	MultiControl II quadro - Basic	Multilift II / Multilift II with internal carriage
QST11H14AA022	MultiControl II quadro - Premium	
Hand switches		
QZB11G07AV041	Hand switch with 6 function keys and display – 1 m cable length	
QZB11G07AB041	Hand switch with 2 function keys – 1 m cable length	
QZD000074	Hand switch drawer for hand switch with 6 and 2 function keys	
IEC connector		
QZD070618	IEC cable (Europe version, earthed plug)	

Note:

Further accessories (hand switches, connecting cables etc.), you will find in the complete catalogue -lifting columns and electric cylinders- for the new control generation MultiControl II.

RK SyncFlex V

Scope of delivery:

Adjuster plate, incl. fixing material

Option:

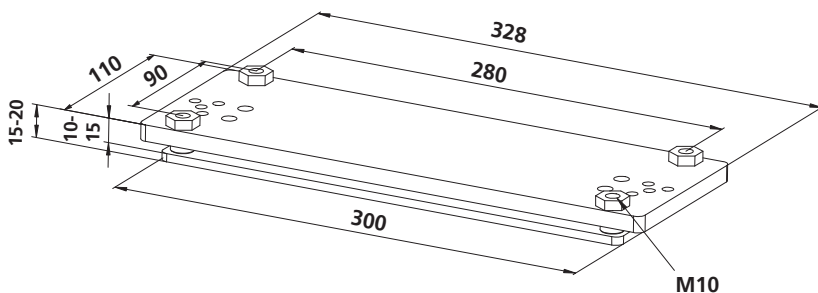
Pressure plate (see table) can be ordered separately

Vertical alignment

- If the lifting columns are not parallel, the distance between the two upper fixing points will change during the movement. However, a rigid connection keeps this distance constant, which means that the lifting columns are subject to very strong forces.

RK SyncFlex V enables the compensation of unevenness in the mounting environment.

- The lifting columns can be aligned via the vertical adjustment around the X-Y axes.



[mm]

Code No.	Type	Max. load	Multilift II	
			Internal profile	External profile
RK SyncFlex V Adjusting plate				
QZD020620	Multilift II product line	3000 N		•
Pressure Plate				
QZD020621	Multilift II product line	3000 N		

Adaptor bar

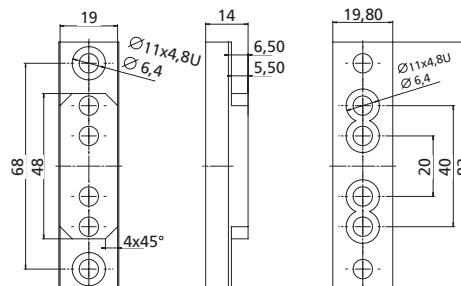
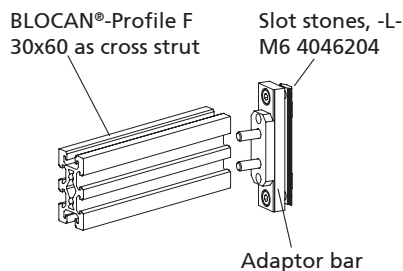
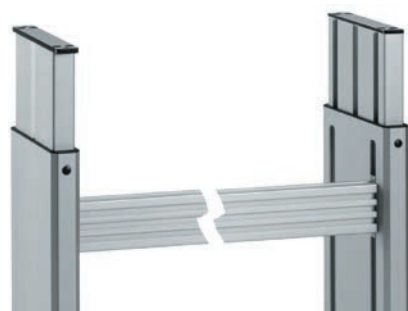
- Cross struts from the BLOCAN® Profile Assembly System are used to increase the stability of two version Multilift II with internal carriage. The adaptor bar is suitable for F profile 40 x 80 L and F 30x60.

Material:

AlMgSi 0,5
Fixing set, zinc plated

Scope of delivery:

2x adaptor bars, fixing set



Code No.	Version
QZD020020	Adaptor bar for BLOCAN® profiles
4285000	Profile* F-40 x 80-L, can be cut to specification

Length (clear width between the Multilifts -2 mm)

* For dimensions of the profiles, please refer to the catalogue BLOCAN PROFILE TECHNOLOGY

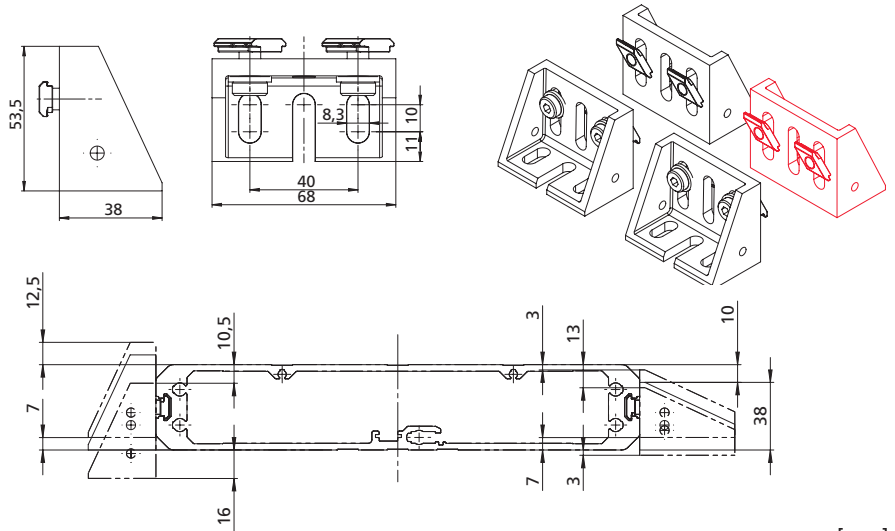
Mounting bracket for Multilift II



- The mounting brackets are used to fix the lifting column horizontally or vertically horizontally or vertically by means of the fixing slots on the outer profile of the Multilift II. Also suitable for ESD applications.

Material:
Aluminium die cast

Scope of delivery:
One mounting bracket including mounting material



[mm]

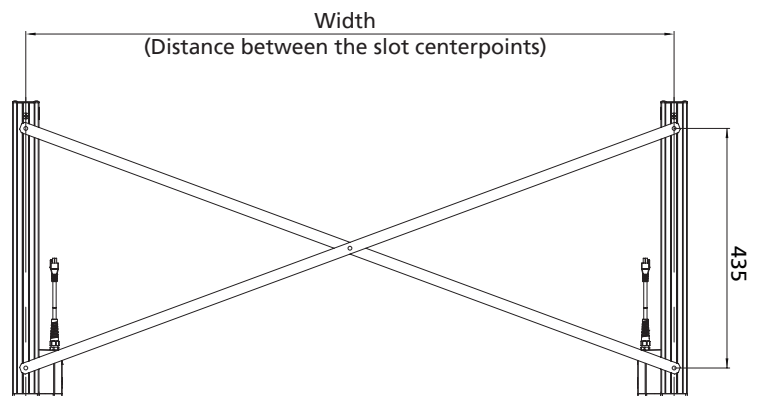
Code No.	Type	Max. load	Multilift II	
			Internal profile	External profile
QZD020745	Multilift II mounting bracket	3000 N		●

Support struts

- For stabilisation of column structures.
- Available for all Multilift II/ Multilift II telescope variants.

Material:
Aluminium not anodized

Scope of delivery:
Two support struts including fastenings

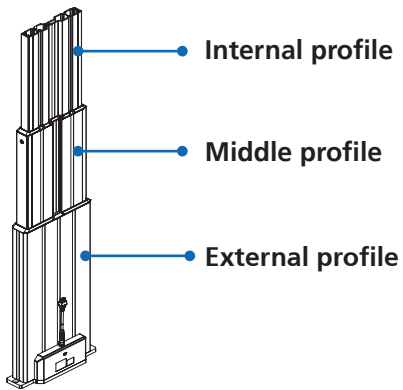


Code No.	Type	Width (min.)	Width (max.)	Multilift II	
				Internal profile	External profile
QZD020734	Support struts Multilift II product line	750 mm	2000 N		●

Distance between the slot centerpoints [mm]

Multilift II – Accessories

Foot versions



- Different foot versions for the Multilift
- No modifications of the Multilift required

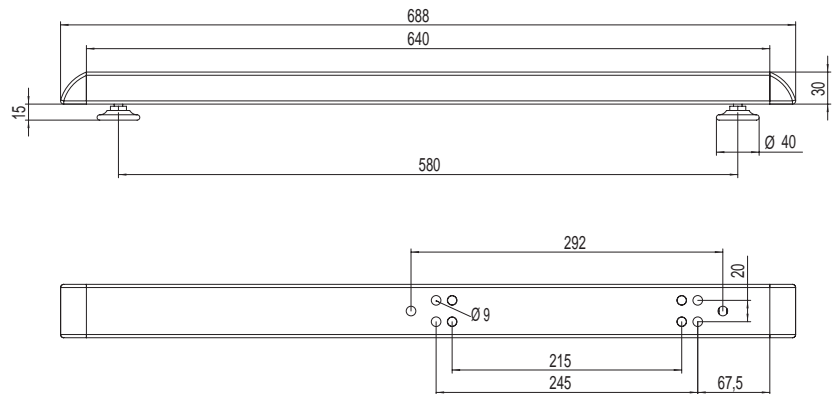
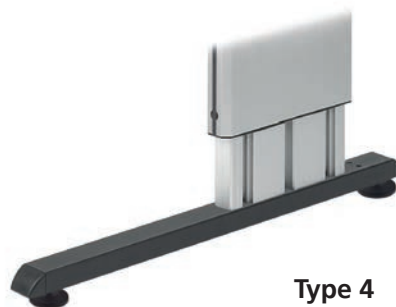
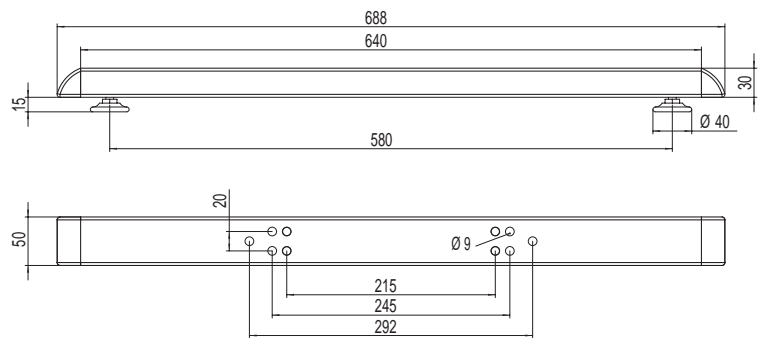
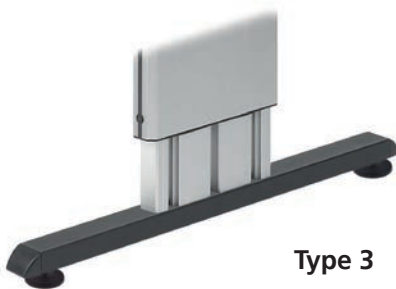
Material:

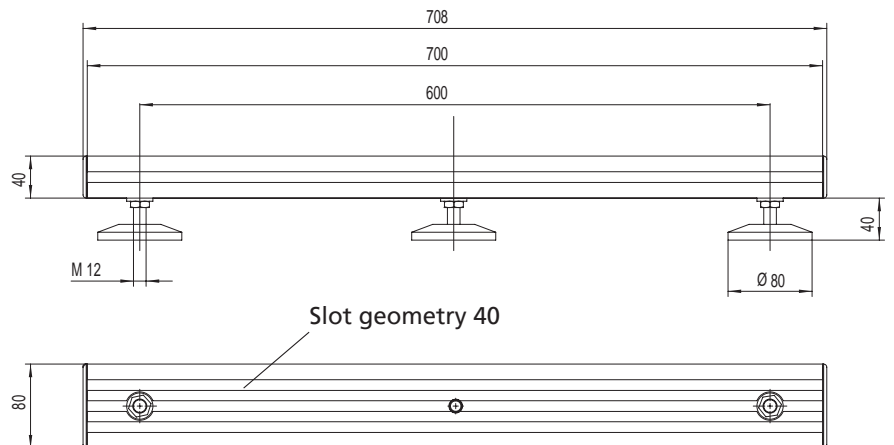
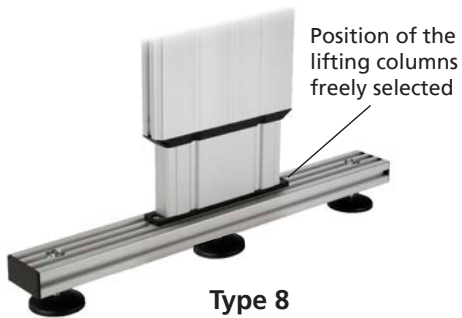
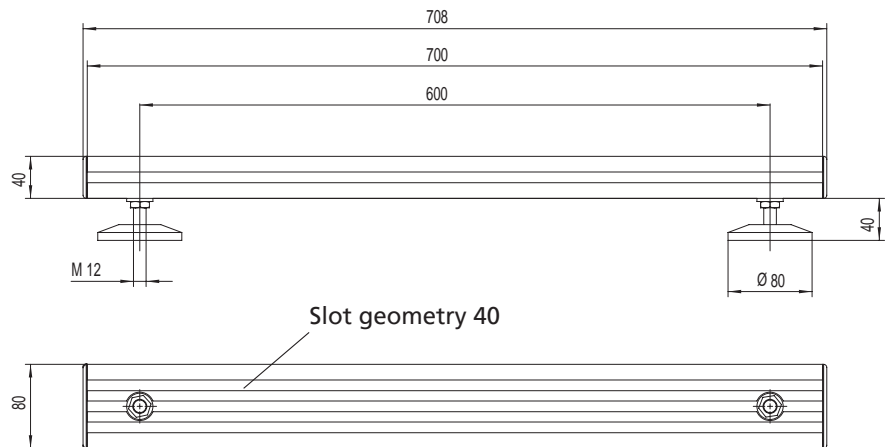
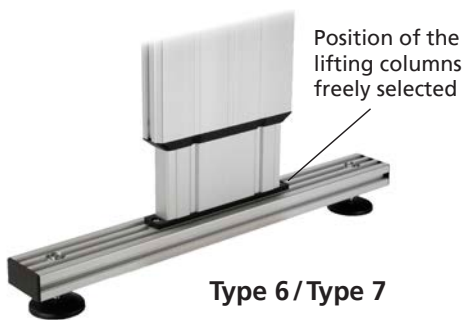
Type 1/2 GK-AISI12/3.2583.02,
black powder-coated

Type 3/4 steel tube, ends capped
black powder-coated

Scope of delivery:

one foot with fixing set





Code No.	Type	Max. load	Multilift II with internal carriage		
			Internal profile	External profile	Properties
QZD020254	3	1000 N		●	
QZD020255	4	1000 N		●	
QZD020256	6	3000 N		●	
QZD020257	7	3000 N		●	For ESD-Version
QZD020258	8	3000 N		●	



RK ROSE+KRIEGER

A Phoenix Mecano Company

RK Rose+Krieger GmbH
Verbindungs- und Positioniersysteme
Potsdamer Straße 9
32423 Minden, Germany
+49 571 93 35-0
info@rk-online.de
www.rk-rose-krieger.com



More information
Multilift II with
internal carriage